



Chipsmall Limited consists of a professional team with an average of over 10 year of expertise in the distribution of electronic components. Based in Hongkong, we have already established firm and mutual-benefit business relationships with customers from,Europe,America and south Asia,supplying obsolete and hard-to-find components to meet their specific needs.

With the principle of “Quality Parts,Customers Priority,Honest Operation,and Considerate Service”,our business mainly focus on the distribution of electronic components. Line cards we deal with include Microchip,ALPS,ROHM,Xilinx,Pulse,ON,Everlight and Freescale. Main products comprise IC,Modules,Potentiometer,IC Socket,Relay,Connector.Our parts cover such applications as commercial,industrial, and automotives areas.

We are looking forward to setting up business relationship with you and hope to provide you with the best service and solution. Let us make a better world for our industry!



## Contact us

Tel: +86-755-8981 8866 Fax: +86-755-8427 6832

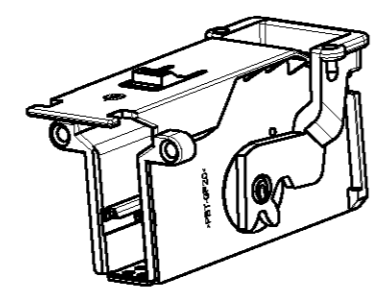
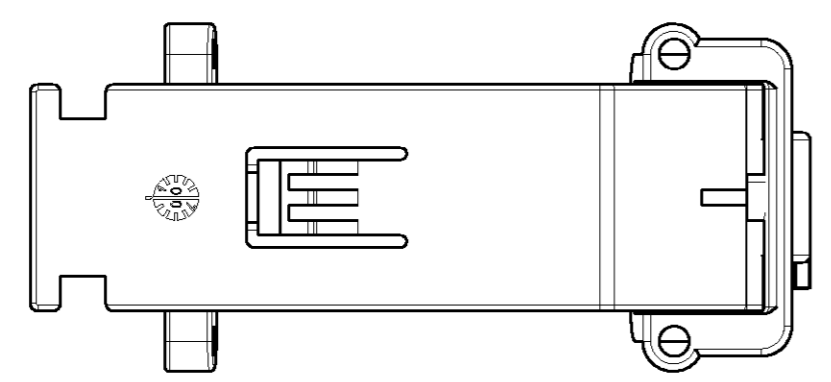
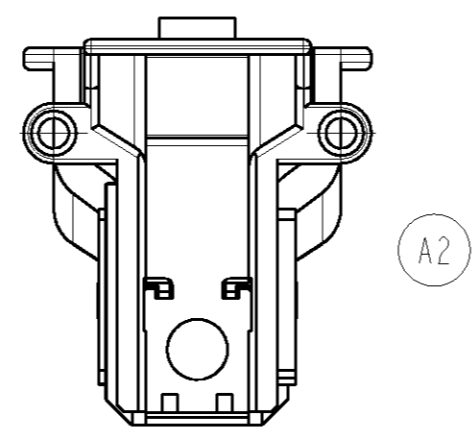
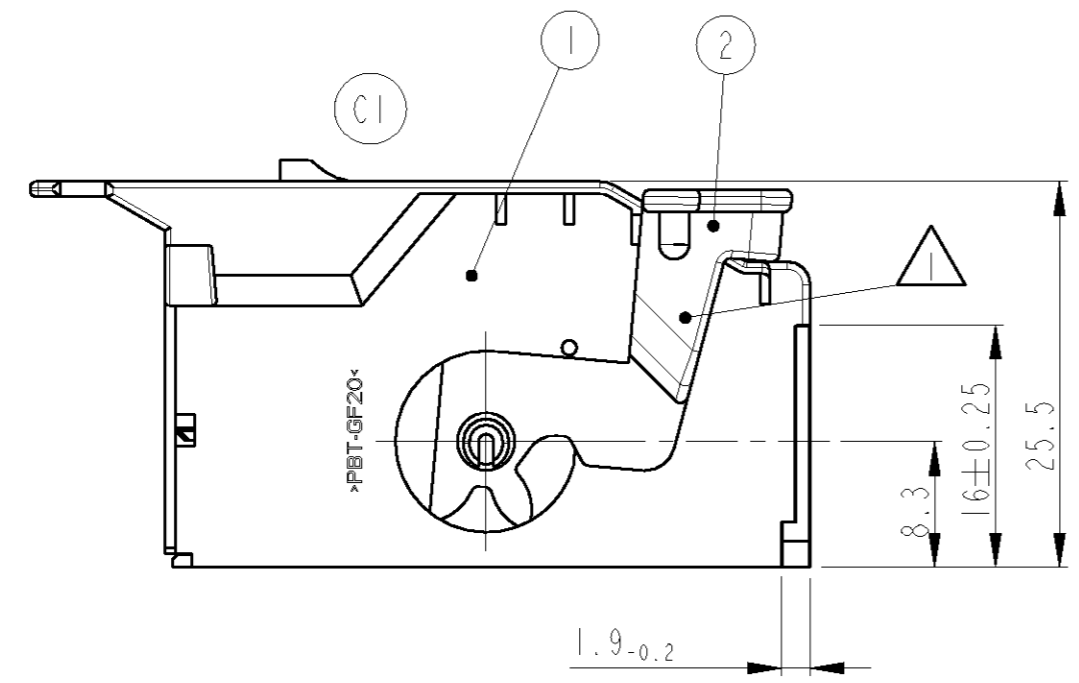
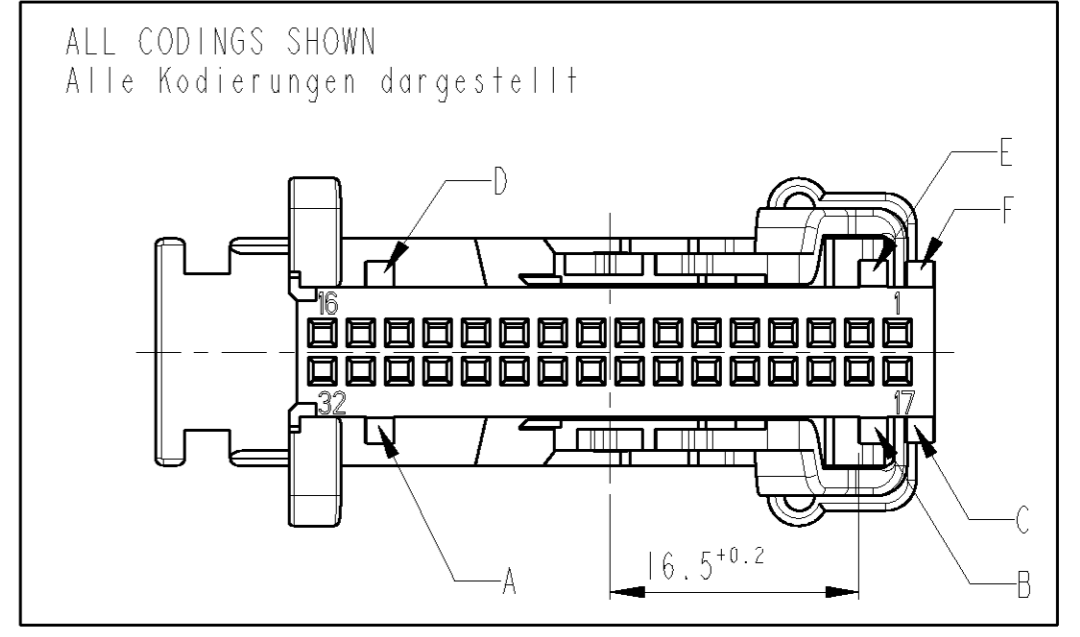
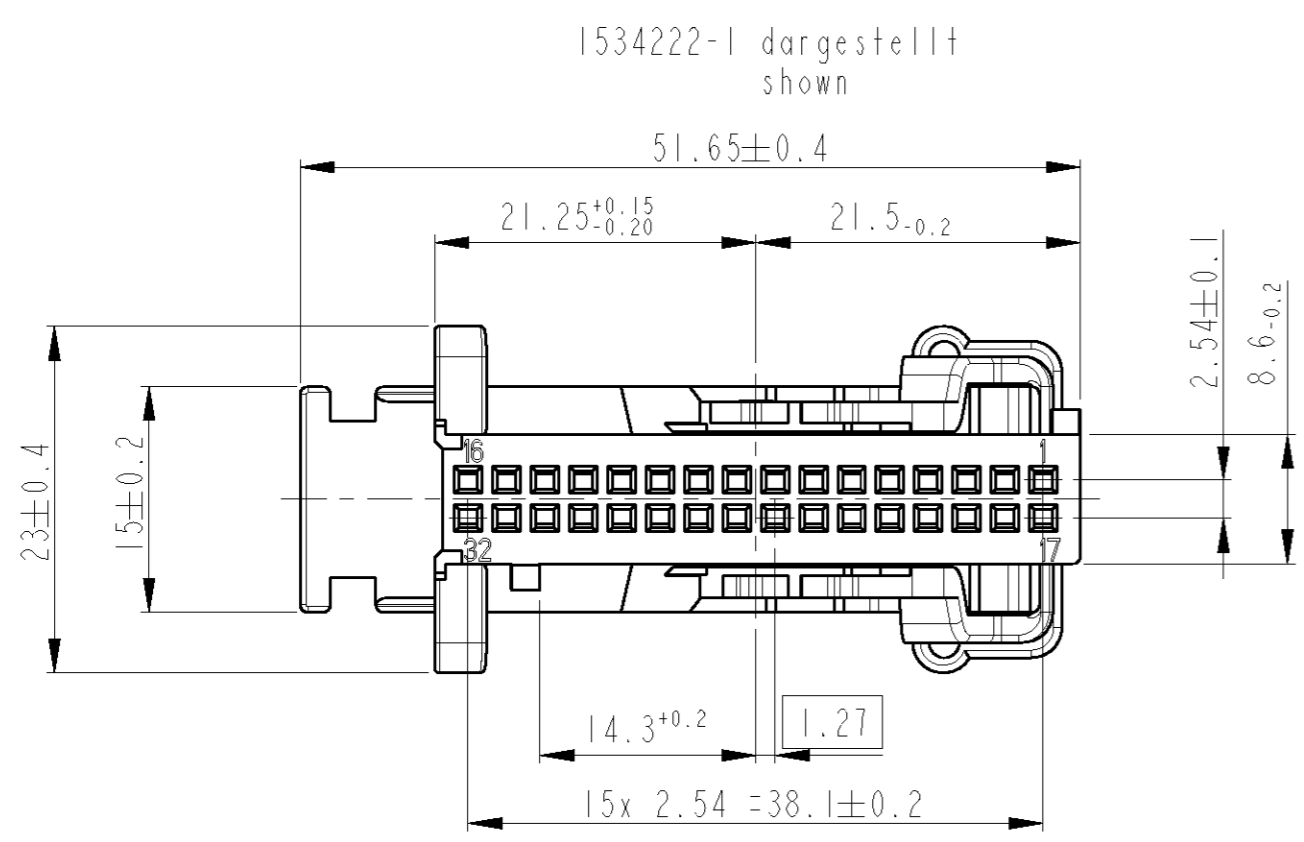
Email & Skype: info@chipsmall.com Web: www.chipsmall.com

Address: A1208, Overseas Decoration Building, #122 Zhenhua RD., Futian, Shenzhen, China



THIS DRAWING IS UNPUBLISHED. VERTRAULICHE UNVERÖFFENTLICHTE ZEICHNUNG. RELEASED FOR PUBLICATION. FREI FUER VERÖFFENTLICHUNG. 2004. MATED WITH: PASSEND ZU: 966658. COPYRIGHT BY. ALL RIGHTS RESERVED. ALLE RECHTE VORBEHALTEN.

LOC	DIST	REVISIONS			DATE	DWN	APVD
A1	-	P	LTR	DESCRIPTION			
PROJEKT NR.: EGAUTO1349		C3		REVISED PER ECO-11-005294	30APR11	RK	HMR



NOTES

- 1 LEVER ASSEMBLED IN PRE-LOCKED POSITION. LEVER MUST BE LOCKED BEHIND THE DIMPLE.
- 2 USED WITH 1420000, 1420001
- 3 ASSIGNMENT OF CAVITIES: MAXIMUM 25% OF CONTACT CAVITIES ASSIGNED WITH CONTACTS WITH A CABLE CROSS SECTION OF 0.5mm<sup>2</sup>, UNIFORMLY DISTRIBUTED OVER THE HOUSING. LARGER CABLE CROSS SECTION ARE NOT PERMISSIBLE

Bemerkungen

- 1 Hebel in Vorraststellung montiert. Hebel muss hinter der Verriegelungsnase verrastet sein.
- 2 Benutzt mit 1420000, 1420001
- 3 Kammerbestückung: Maximal 25% der Kontaktkammern bestückt mit Kontakten mit Kabelquerschnitt 0.5mm<sup>2</sup>, gleichmäßig verteilt über das Gehäuse ist zulässig. Grössere Kabelquerschnitte sind nicht zulässig.

1534222-2	C	964826-1	E	PBT-GF	violett/ VIOLET	4006	C, D	LEVER / Hebel, HSG., 2X16 POSN.	1	2
		1534223-2	B	PBT-GF	blau/ BLUE	5012		COVER/ Abdeckkappe, HSG., 2X16 POSN	1	1
1534222-1	C	964826-1	E	PBT-GF	violett/ VIOLET	4006	A, F	LEVER / Hebel, HSG., 2X16 POSN.	1	2
		1534223-1	B	PBT-GF	gruen/ GREEN	6018		COVER/ Abdeckkappe, HSG., 2X16 POSN	1	1
TE Connectivity ASSY-No.	REV.	TE Connectivity PART-NO.	REV.	MATERIAL	COLOUR FARBE	RAL	CODING Kodierung	DESCRIPTION Benennung	QTY.	ITEM NO.

DIMENSIONS: MASSEINHEITEN: mm		TOLERANCES UNLESS OTHERWISE SPECIFIED: ALLGEMEINTOLERANZEN		DWN G.Fischer 05JUL01	TE Connectivity																
		<table border="1"> <tr><td>1</td><td>PLC</td><td>±</td><td>ACC. TO</td></tr> <tr><td>2</td><td>PLC</td><td>±</td><td>DIN 16901-140</td></tr> <tr><td>3</td><td>PLC</td><td>±</td><td>CENTRIC TO</td></tr> <tr><td></td><td>PLC</td><td>±</td><td>NOMINAL DIM</td></tr> </table>		1		PLC	±	ACC. TO	2	PLC	±	DIN 16901-140	3	PLC	±	CENTRIC TO		PLC	±	NOMINAL DIM	CHK B.Kirsch 05JUL01
1	PLC	±	ACC. TO																		
2	PLC	±	DIN 16901-140																		
3	PLC	±	CENTRIC TO																		
	PLC	±	NOMINAL DIM																		
MATERIAL		FINISH/OBERFLAECHE/FARBE		APVD -	COVER, ASSY, MQS-HSG., 2x16 POSN. Abdeckkappe, ZSB, MQS-Geh., 2x16 pol.																
				PRODUCT SPEC 108-18924	SIZE A2																
				APPLICATION SPEC 114-18630	CAGE CODE 00779																
				WEIGHT -	DRAWING NO. 1534222																
				CUSTOMER DRAWING	RESTRICTED TO NUR FUER																
				SCALE MASSSTAB 2:1	REV C3																