



Chipsmall Limited consists of a professional team with an average of over 10 year of expertise in the distribution of electronic components. Based in Hongkong, we have already established firm and mutual-benefit business relationships with customers from,Europe,America and south Asia,supplying obsolete and hard-to-find components to meet their specific needs.

With the principle of “Quality Parts,Customers Priority,Honest Operation,and Considerate Service”,our business mainly focus on the distribution of electronic components. Line cards we deal with include Microchip,ALPS,ROHM,Xilinx,Pulse,ON,Everlight and Freescale. Main products comprise IC,Modules,Potentiometer,IC Socket,Relay,Connector.Our parts cover such applications as commercial,industrial, and automotives areas.

We are looking forward to setting up business relationship with you and hope to provide you with the best service and solution. Let us make a better world for our industry!



Contact us

Tel: +86-755-8981 8866 Fax: +86-755-8427 6832

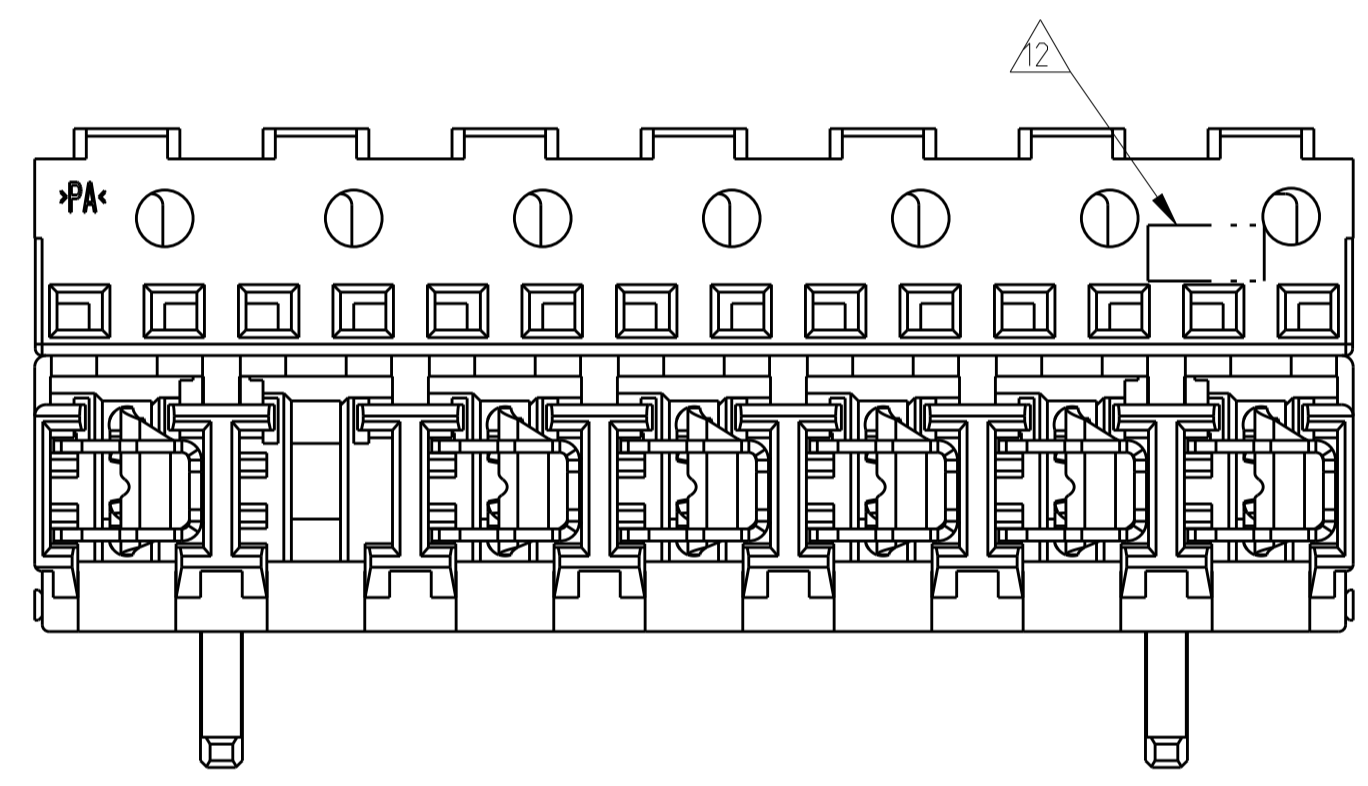
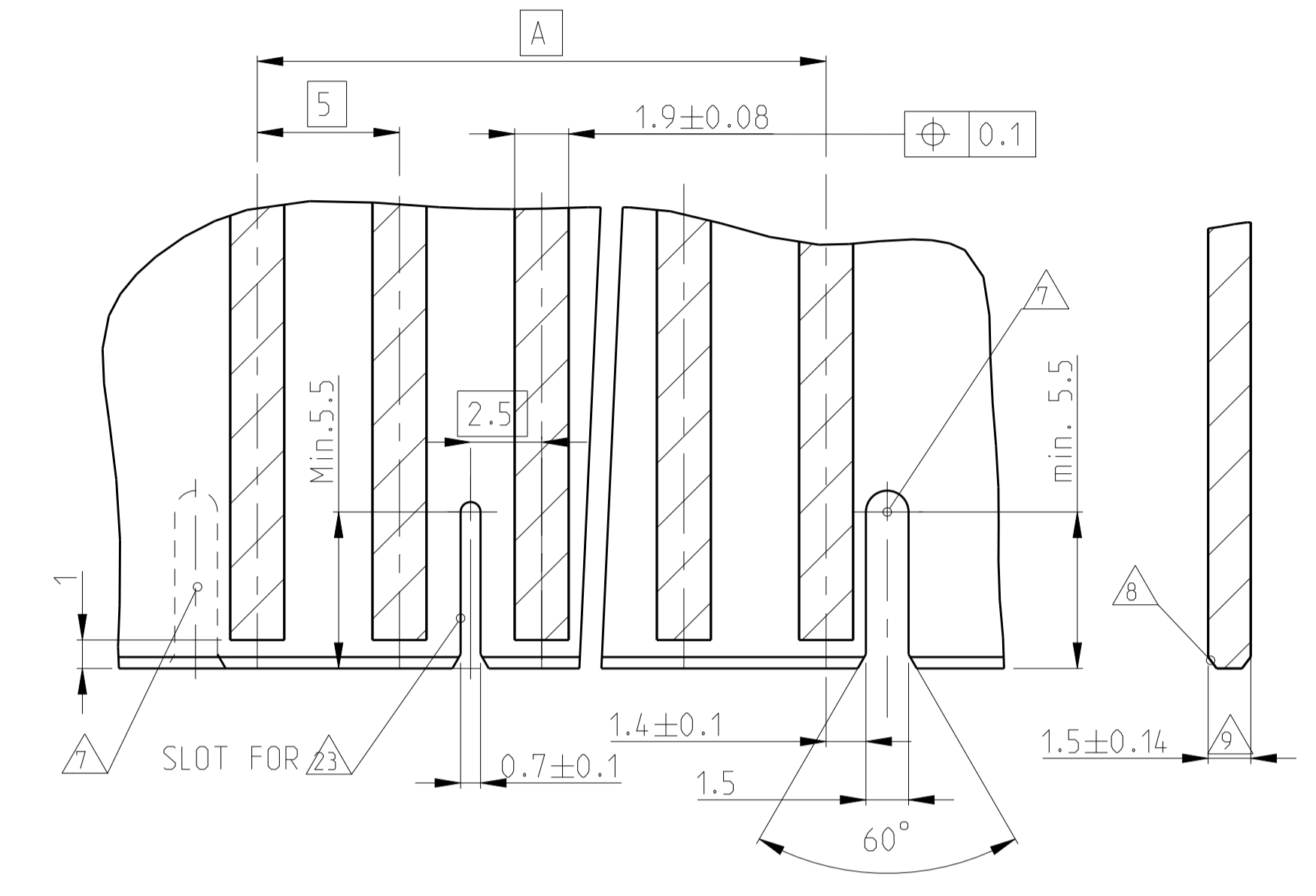
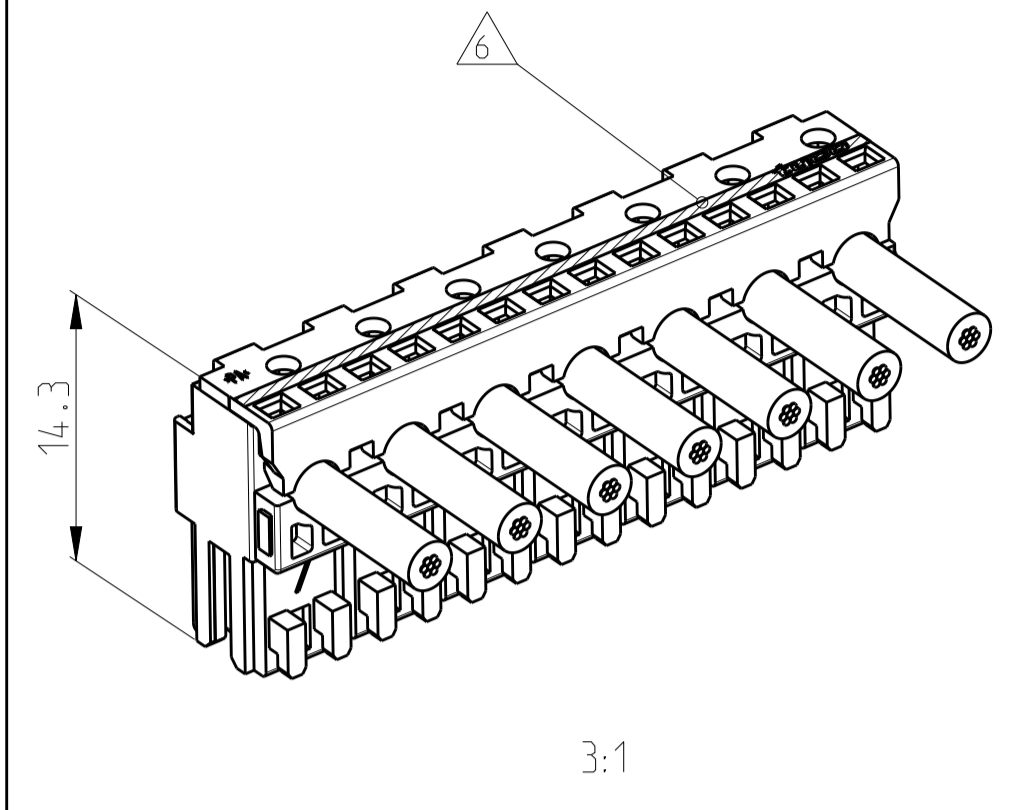
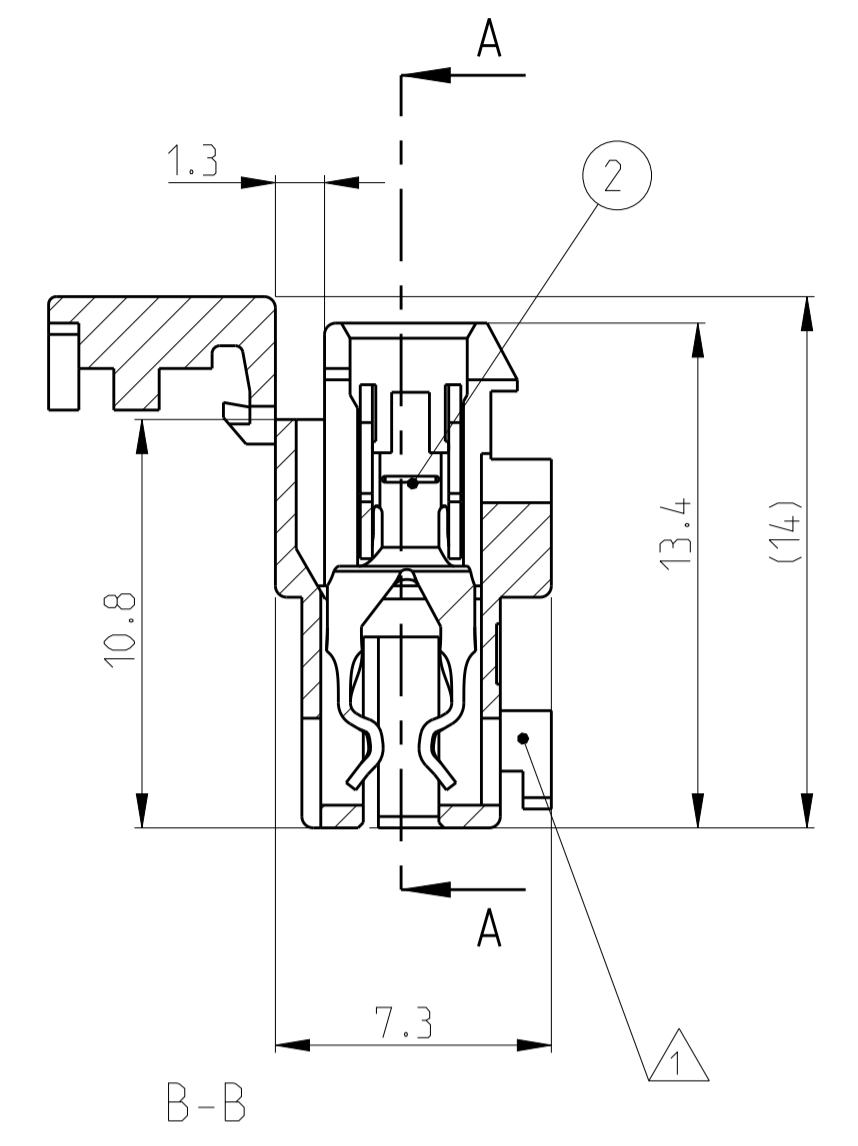
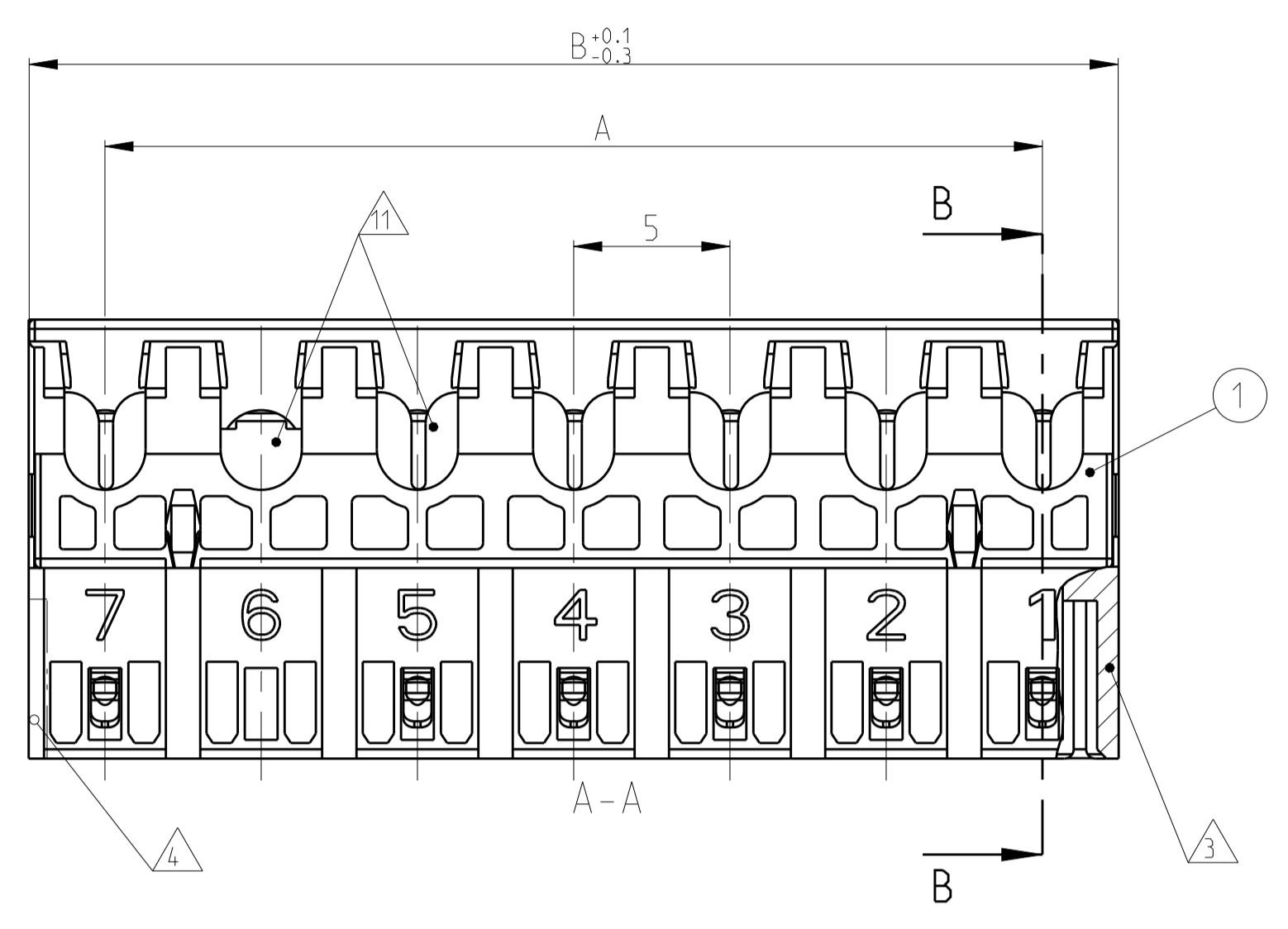
Email & Skype: info@chipsmall.com Web: www.chipsmall.com

Address: A1208, Overseas Decoration Building, #122 Zhenhua RD., Futian, Shenzhen, China



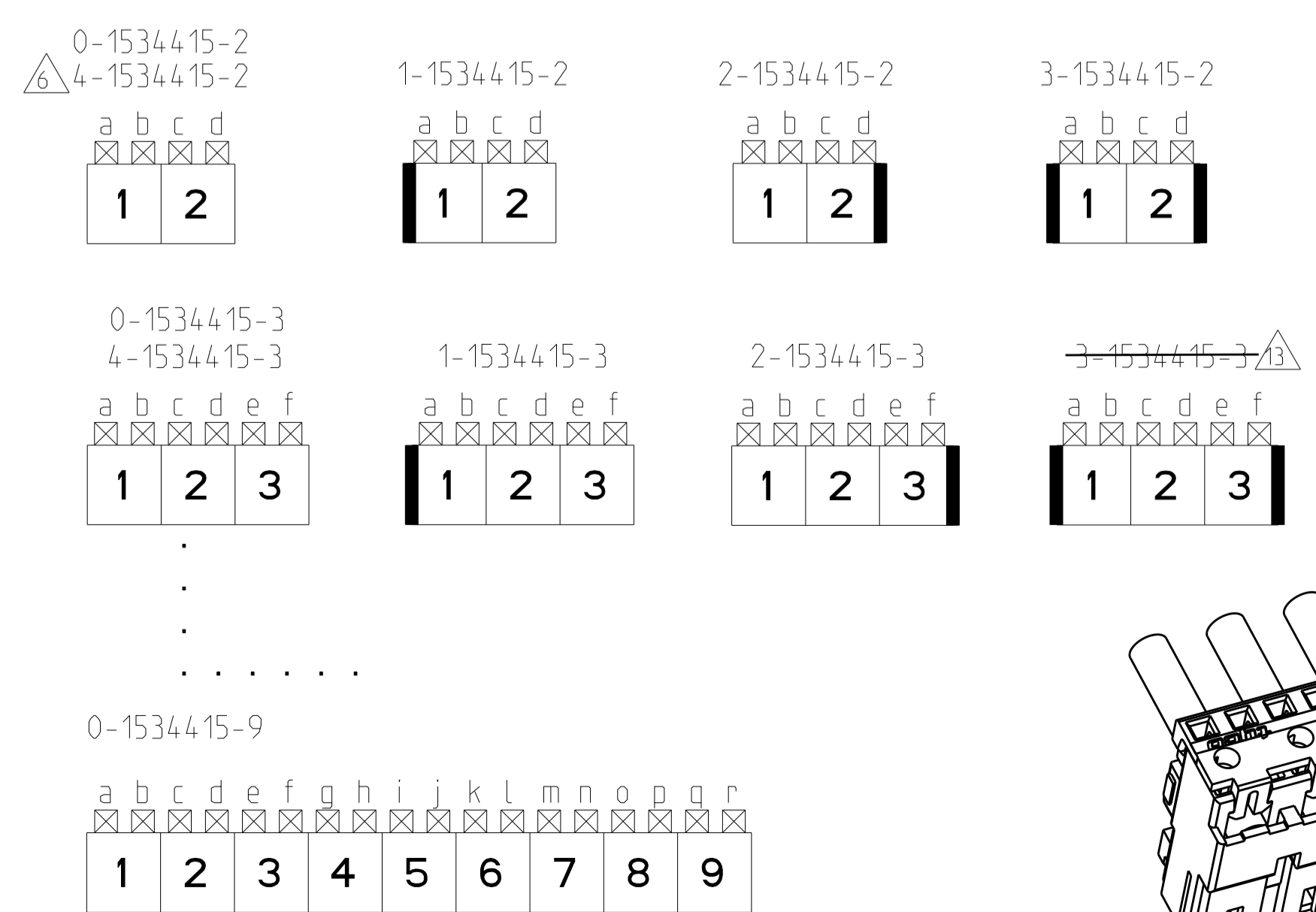
LOC		DIST		REVISIONS			
A1	-	P	LTM	DESCRIPTION	DATE	OWN	APVD
		D5		ECR-15-014002	28Sep2015	SL	RR
		D6		ECR-15-015214	rev_date.2	SL	RR
		D7		ECR-15-017662	04Dec2015	SL	RR
		D8		ECR-17-002008	23FEB2017	LZ	RR

PCB LAYOUT KEYED / CONNECTED ONLY WITH ADDITIONAL FRAME
 Leiterplattenanschluss kodiert / nur in Verbindung mit zusätzlichem Rahmen



- 23 KEYING BETWEEN POSITIONS
- 16 TINNED / verzinkt
- 15 UL94 V0 and GLOWWIRE TEST 750 °C WITHOUT FLAME
- 14 PRELIMINARY PART NOT RELEASED FOR PRODUCTION
- 13 OBSOLETE
- 12 TE LOGO
- X...CAVITY LOADED WITH CONTACT
- O...CAVITY WITHOUT CONTACT
- X...Kammer mit Kontakt
- O...Kammer ohne Kontakt
- 11 GLOWWIRE TEST 750 °C WITHOUT FLAME
Gluehdrahttest 750°C ohne Flamme
- 9 INCLUSIVE COPPER CLADDING;
Inclusive Kupferkaschierung:
- 8 PCB PREFERABLY CHAMFERED.
Leiterplatte vorzugsweise angefast.
- 7 SLOT FOR SIDE KEYING, △ △
Schlitz fuer Seitenkodierung, △ △ .
- 6 COLOUR MARKING ON TOP OF HOUSING OPTIONAL ON TERMINATION MACHINE
Farbmarkierung auf Gehäuseoberseite optional an Verarbeitungsmaschine
- 5 MATING PART: PCB (WITH FRAMES ACC. RAST 2.5 E.G. PN 964 575/576)
TABHEADER PN 1 534 787/788
Passender Gegenstecker: Leiterplatten (mit Rahmen nach RAST 2.5 z.B. 964 575/576)
Tabwannen Nr. 1 534 787/788
- 4 SIDE KEYING, ON LAST CAVITY
Seitenkodierung, an letzter Kammer
- 3 SIDE KEYING, ON CAVITY 1
Seitenkodierung, an Kammer 1
- 2 WIRE RANGE: 0.35-0.5 mm²
Drahtgrößenbereich: 0.35-0.5 mm²
- 1 KEYING RIBS; CUTTING WITH TERMINATION MACHINE POSSIBLE
Kodierrippe; Schneiden auf der Verarbeitungsmaschine moeglich

KEYING PLAN (VIEW Z)
 Kodierschema (Ansicht Z)



X	X	X	X	X	X	X	X	X	X	NATURE	9	40	44.9	-	-	0-1534415-9	
	X	X	X	X	X	X	X	X	X	NATURE	8	35	39.9	-	-	0-1534415-8	
		X	X	X	X	X	X	X	X	NATURE	7	30	34.9	-	-	0-1534415-7	
			X	X	X	X	X	X	X	NATURE	6	25	29.9	-	-	0-1534415-6	
				X	X	X	X	X	X	NATURE	5	20	24.9	-	-	0-1534415-5	
					X	X	X	X	X	NATURE	4	15	19.9	-	-	0-1534415-4	
						X	X	X	X	NATURE	3	10	14.9	X	X	6-1534415-3/14	
							X	X	X	NATURE	3	10	14.9	X	-	5-1534415-3/15	
								X	O	X	NATURE	3	10	14.9	-	-	4-1534415-3
								X	X	X		3	10	14.9	X	X	3-1534415-3/13
								X	X	X	NATURE	3	10	14.9	X	-	2-1534415-3
								X	X	X	NATURE	3	10	14.9	-	X	1-1534415-3
								X	X	X	NATURE	3	10	14.9	-	-	0-1534415-3
								X	X	BROWN	2	5	9.9	-	-	4-1534415-2/6	
								X	X	NATURE	2	5	9.9	X	X	3-1534415-2	
								X	X	NATURE	2	5	9.9	X	-	2-1534415-2	
								X	X	NATURE	2	5	9.9	-	X	1-1534415-2	
								X	X	NATURE	2	5	9.9	-	-	0-1534415-2	
9	8	7	6	5	4	3	2	1		6	POS.	DIM A	DIM B	23	4	3	PN
										6	POS.	DIM A	DIM B	23	4	3	PN
										11	COLOR						Bestell-Nr.

2	SEE TABLE	KONTAKT	CuNiSi	△6	△16	△17	△18	△19	△20	△21	△22
1	siehe Tabelle	Federleistengehaeuse	PA 6	△6							
POS.	PN	DESCRIPTION	MATERIAL								
	Bestell-Nr.	Beschreibung									

THIS DRAWING IS A CONTROLLED DOCUMENT. OWN: H. Karabiyik 13OCT2016
 CHK: B. Schnaubelt 24JAN2002
 APVD: T. Klenner 24JAN2002

DIMENSIONS: mm
 TOLERANCES UNLESS OTHERWISE SPECIFIED:
 0 PLC # # # #
 1 PLC # # # #
 2 PLC # # # #
 3 PLC # # # #
 4 PLC # # # #
 ANGLES # # # #
 FINISH # # # #

MATERIAL: -
 FINISH: -

PRODUCT SPEC: 108-18780
 APPLICATION SPEC: 114-1845B
 WEIGHT: -

CUSTOMER DRAWING

NAME: AMP DUOPLUG POWER FEMALE CONNECTOR (Standard Version)
 SIZE: A1
 CAGE CODE: 00779
 DRAWING NO: 1534415
 SHEET: 1 OF 2
 SCALE: 5:1
 REV: 08

LOC	DIST	REV. LTR	DESCRIPTION	DATE	DWN	APVD
		-	SEE SHEET 1	-	-	-

PRELIMINARY

		X	X	X	X	X	X	X	NATURE	7	30	34.9	-	-	RTS 1238223-165
			X	X	X	X	X	X	NATURE	6	25	29.9	-	-	RTS 1238223-164
				X	X	X	X	X	NATURE	5	20	24.9	-	-	RTS 1238223-163
					X	X	X	X	NATURE	4	15	19.9	-	-	RTS 1238223-162
						X	X	X	NATURE	3	10	14.9	-	-	RTS 1238223-161
							X	X	NATURE	2	5	9.9	-	-	RTS 1238223-160
9	8	7	6	5	4	3	2	1		POS. Polzahl	DIM A	DIM B			PN
CAVITY LOADED/Kammer bestueckt									COLOR			KEYING	KEYING	Bestell-Nr.	

			X	X	X	X	X	X	NATURE	7	30	34.9	-	-	RTS 1238223-75
				X	X	X	X	X	NATURE	6	25	29.9	-	-	RTS 1238223-74
					X	X	X	X	NATURE	5	20	24.9	-	-	RTS 1238223-73
						X	X	X	NATURE	4	15	19.9	-	-	RTS 1238223-72
							X	X	NATURE	3	10	14.9	-	-	RTS 1238223-71
								X	NATURE	2	5	9.9	-	-	RTS 1238223-70
9	8	7	6	5	4	3	2	1		POS. Polzahl	DIM A	DIM B			PN
CAVITY LOADED/Kammer bestueckt									COLOR			KEYING	KEYING	Bestell-Nr.	

			X	X	X	X	X	X	NATURE	7	30	34.9	-	-	RTS 1238223-135
				X	X	X	X	X	NATURE	6	25	29.9	-	-	RTS 1238223-134
					X	X	X	X	NATURE	5	20	24.9	-	-	RTS 1238223-133
						X	X	X	NATURE	4	15	19.9	-	-	RTS 1238223-132
							X	X	NATURE	3	10	14.9	-	-	RTS 1238223-131
								X	NATURE	2	5	9.9	-	-	RTS 1238223-130
9	8	7	6	5	4	3	2	1		POS. Polzahl	DIM A	DIM B			PN
CAVITY LOADED/Kammer bestueckt									COLOR			KEYING	KEYING	Bestell-Nr.	

			X	X	X	X	X	X	NATURE	7	30	34.9	-	-	RTS 1238223-45
				X	X	X	X	X	NATURE	6	25	29.9	-	-	RTS 1238223-44
					X	X	X	X	NATURE	5	20	24.9	-	-	RTS 1238223-43
						X	X	X	NATURE	4	15	19.9	-	-	RTS 1238223-42
							X	X	NATURE	3	10	14.9	-	-	RTS 1238223-41
								X	NATURE	2	5	9.9	-	-	RTS 1238223-40
9	8	7	6	5	4	3	2	1		POS. Polzahl	DIM A	DIM B			PN
CAVITY LOADED/Kammer bestueckt									COLOR			KEYING	KEYING	Bestell-Nr.	

- AgPd10 selective in contact area
AgPd10 selektiv im Kontaktbereich
- AgPd10 all over
AgPd10 komplett
- Ag/Sn selective in contact area acc. 112-32023
Ag/Sn selektive im Kontaktbereich nach 112-32023
- Ag/Sn all over acc. 112-32023
Ag/Sn komplett nach 112-32023
- Ag selective in contact area acc. 112-32-2
Ag selektiv im Kontaktbereich nach 112-32-2
- Ag all over acc. 112-32-2
Ag komplett nach 112-32-2

			X	X	X	X	X	X	NATURE	7	30	34.9	-	-	RTS 1238223-105
				X	X	X	X	X	NATURE	6	25	29.9	-	-	RTS 1238223-104
					X	X	X	X	NATURE	5	20	24.9	-	-	RTS 1238223-103
						X	X	X	NATURE	4	15	19.9	-	-	RTS 1238223-102
							X	X	NATURE	3	10	14.9	-	-	RTS 1238223-101
								X	NATURE	2	5	9.9	-	-	RTS 1238223-100
9	8	7	6	5	4	3	2	1		POS. Polzahl	DIM A	DIM B			PN
CAVITY LOADED/Kammer bestueckt									COLOR			KEYING	KEYING	Bestell-Nr.	

			X	X	X	X	X	X	NATURE	7	30	34.9	-	-	RTS 1238223-15
				X	X	X	X	X	NATURE	6	25	29.9	-	-	RTS 1238223-14
					X	X	X	X	NATURE	5	20	24.9	-	-	RTS 1238223-13
						X	X	X	NATURE	4	15	19.9	-	-	RTS 1238223-12
							X	X	NATURE	3	10	14.9	-	-	RTS 1238223-11
								X	NATURE	2	5	9.9	-	-	RTS 1238223-10
9	8	7	6	5	4	3	2	1		POS. Polzahl	DIM A	DIM B			PN
CAVITY LOADED/Kammer bestueckt									COLOR			KEYING	KEYING	Bestell-Nr.	

THIS DRAWING IS A CONTROLLED DOCUMENT.		DWN: W. Hoffmann 13OCT2016	TE Connectivity
DIMENSIONS: mm		CHK: F. Ludo 14OCT2016	
TOLERANCES UNLESS OTHERWISE SPECIFIED:		APVD: P. Bohone 14OCT2016	NAME: AMP DUOPLUG POWER FEMALE CONNECTOR (Standard Version) PRODUCT SPEC: see Sheet 1 APPLICATION SPEC: see Sheet 1
		FINISH: #1	
MATERIAL: -	WEIGHT: -	SIZE: A1	RESTRICTED TO: -
Customer Drawing		SCALE: 5:1	SHEET: 2 OF 2