



Chipsmall Limited consists of a professional team with an average of over 10 year of expertise in the distribution of electronic components. Based in Hongkong, we have already established firm and mutual-benefit business relationships with customers from,Europe,America and south Asia,supplying obsolete and hard-to-find components to meet their specific needs.

With the principle of “Quality Parts,Customers Priority,Honest Operation,and Considerate Service”,our business mainly focus on the distribution of electronic components. Line cards we deal with include Microchip,ALPS,ROHM,Xilinx,Pulse,ON,Everlight and Freescale. Main products comprise IC,Modules,Potentiometer,IC Socket,Relay,Connector.Our parts cover such applications as commercial,industrial, and automotives areas.

We are looking forward to setting up business relationship with you and hope to provide you with the best service and solution. Let us make a better world for our industry!



## Contact us

Tel: +86-755-8981 8866 Fax: +86-755-8427 6832

Email & Skype: info@chipsmall.com Web: www.chipsmall.com

Address: A1208, Overseas Decoration Building, #122 Zhenhua RD., Futian, Shenzhen, China



4

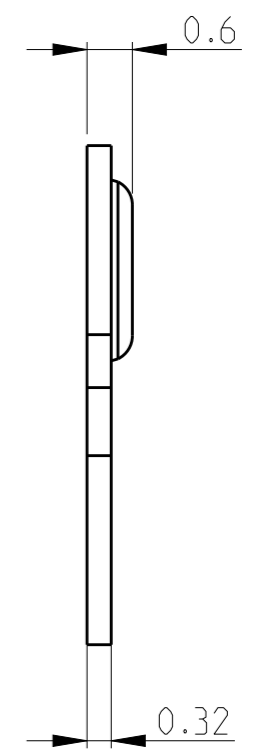
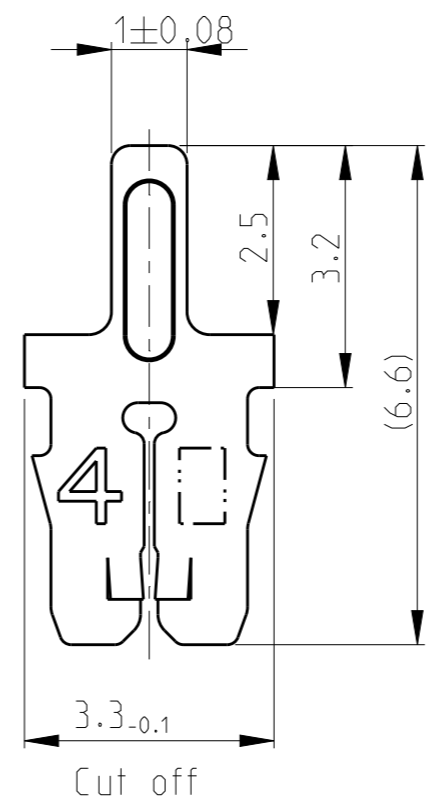
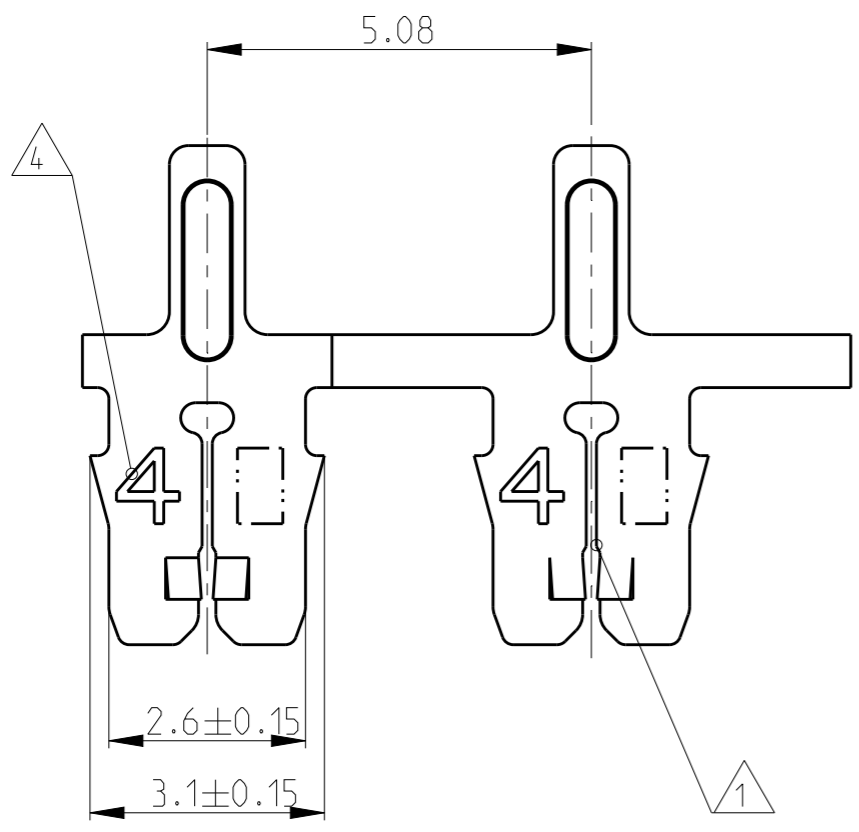
3

2

1

THIS DRAWING IS UNPUBLISHED. RELEASED FOR PUBLICATION -  
 © COPYRIGHT 2002 ALL RIGHTS RESERVED.

LOC	DIST	REVISIONS					
		P	LTR	DESCRIPTION	DATE	DWN	APVD
IR	-		A1	Text hinzu	29JUL2003	Ba.	PL.
			A2	RESTRICTION CANCELED	29SEP2011	PKS	RRP
			A3	TABLE ADDED	14JUL2014	PKS	RRP



Bemerkungen

- 1 Geeignet fuer Kupferlackdraht  $\varnothing 0.17...0.25$  mm Einzeldraht oder zwei Draehte gleichen Durchmessers
- 2 Anlieferungszustand: Kontakte fortlaufend mit Papierzwischenlage auf Kunststoffspule aufgewickelt Max. 5 Splice Stellen pro Spule Splice Stellen nicht miteinander verbunden
- 3 Kontaktkammer nach Zeichnung 411-18513
- 4 Kennziffer fuer Drahtgroessenbereich (4)

1534680-1	CuSn	Vorverzinnt	MAG-MATE .187 MOD.
Bestell-Nr.	Material	Oberfläche / Farbe	Bezeichnung

THIS DRAWING IS A CONTROLLED DOCUMENT.		DWN M. Neitzel 08JAN2002	TE Connectivity	
DIMENSIONS: mm		CHK H. Ploesser -		
TOLERANCES UNLESS OTHERWISE SPECIFIED:		APVD H. PLOESSER 26FEB2002	NAME	
0 PLC $\pm 0.2$ 1 PLC $\pm 0.2$ 2 PLC $\pm 0.2$ 3 PLC $\pm 0.2$ 4 PLC $\pm 0.2$ ANGLES $\pm 1^\circ$		PRODUCT SPEC	MAG-MATE Kontakt mit Loetpin Baugroesse .187 mod.	
MATERIAL Siehe Tabelle		FINISH Siehe Tabelle	APPLICATION SPEC	RESTRICTED TO
		WEIGHT -	SIZE A3	CAGE CODE 00779
		CUSTOMER DRAWING	DRAWING NO. C=1534680	
		SCALE 10:1	SHEET 1 OF 1	REV A3