



Chipsmall Limited consists of a professional team with an average of over 10 year of expertise in the distribution of electronic components. Based in Hongkong, we have already established firm and mutual-benefit business relationships with customers from,Europe,America and south Asia,supplying obsolete and hard-to-find components to meet their specific needs.

With the principle of “Quality Parts,Customers Priority,Honest Operation,and Considerate Service”,our business mainly focus on the distribution of electronic components. Line cards we deal with include Microchip,ALPS,ROHM,Xilinx,Pulse,ON,Everlight and Freescale. Main products comprise IC,Modules,Potentiometer,IC Socket,Relay,Connector.Our parts cover such applications as commercial,industrial, and automotives areas.

We are looking forward to setting up business relationship with you and hope to provide you with the best service and solution. Let us make a better world for our industry!



## Contact us

Tel: +86-755-8981 8866 Fax: +86-755-8427 6832

Email & Skype: info@chipsmall.com Web: www.chipsmall.com

Address: A1208, Overseas Decoration Building, #122 Zhenhua RD., Futian, Shenzhen, China



4

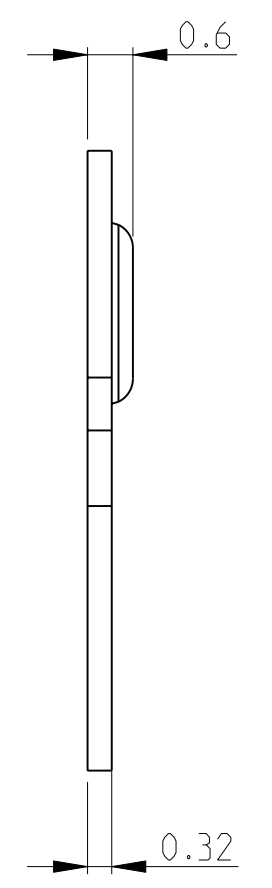
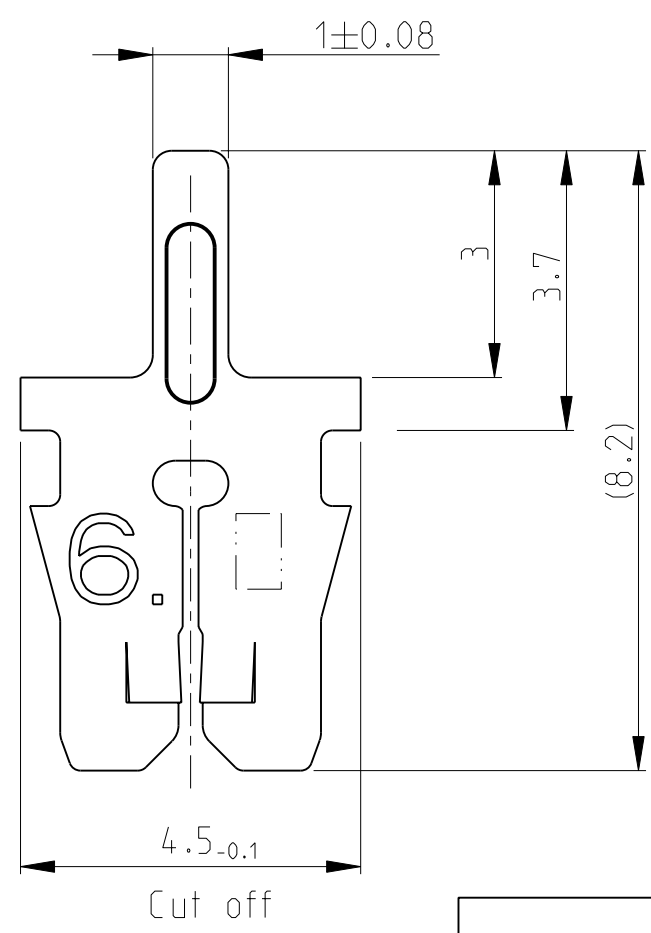
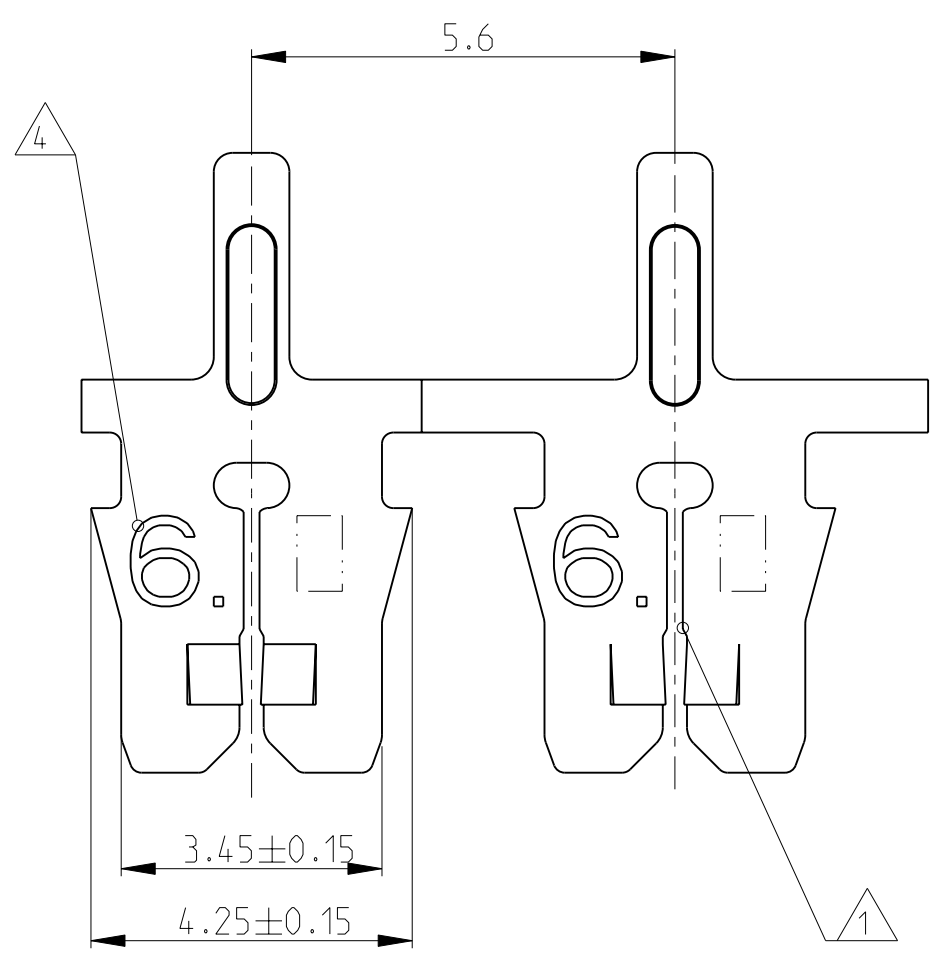
3

2

1

THIS DRAWING IS UNPUBLISHED. RELEASED FOR PUBLICATION  
 © COPYRIGHT 2002 ALL RIGHTS RESERVED.

LOC	DIST	REVISIONS			
P	LTR	DESCRIPTION	DATE	DWN	APVD
IR	-	A1	Text hinzu	29JUL2003	Ba. PL.
		A2	RELEASED TO GENERAL SALES	18JUL2011	PKS RRP



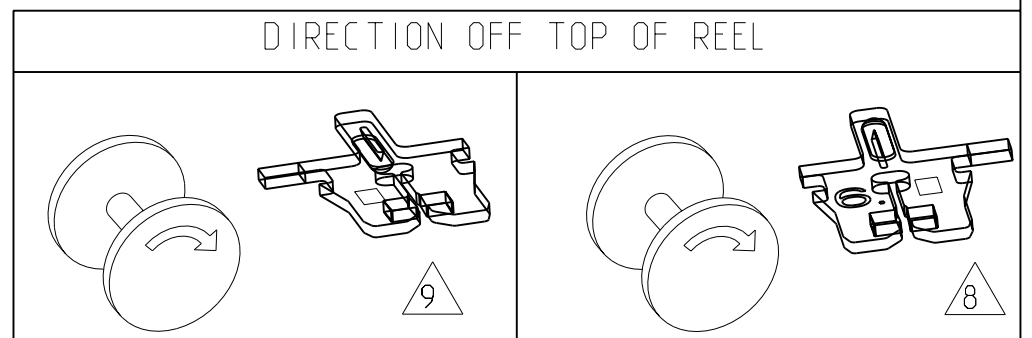
1 Geeignet fuer Kupperlackdraht Ø0.265...0.40 mm  
 Einzeldraht oder zwei Draehte gleichen Durchmessers  
 SLOT ACCEPTS:  
 SINGLE OR DOUBLE MAGNET WIRE  
 SAME DIAMETERS 0.265...0.40 mm DIA

2 Anlieferungszustand: Kontakte fortlaufend mit  
 Papierzwischenlage auf Kunststoffspule aufgewickelt  
 Max. 5 Splice Stellen pro Spule  
 Splice Stellen nicht miteinander verbunden  
 DELIVERY STATE: CONTACTS CONTINUOUS REELED WITH PAPER  
 INTERLAYER ON PLASTIC-REEL.  
 MAX. 5 SPLICES PER REEL  
 SPLICES BE NOT BONDED TOGETHER.

3 Kontaktkammer nach Zeichnung } 411-18516  
 CAVITY ACCORDING DWG. }

4 Kennziffer fuer Drahtgroessenbereich (6)  
 IDENTIFICATION NO. FOR MAGNET WIRE RANGE (6)

5 Materialdicke } 0.32±0.02  
 STOCK THICKNESS }



REELING	TE PART NO.	REV.	5 MATERIAL	SURFACE COLOR	DESCRIPTION
9	1-1534685-1	A	CuSn	PRETINNED	MAG-MATE .300 mod.
8	1534685-1	C	CuSn	PRETINNED	MAG-MATE .300 mod.

THIS DRAWING IS A CONTROLLED DOCUMENT.

DIMENSIONS: mm

TOLERANCES UNLESS OTHERWISE SPECIFIED:

0 PLC	±0.2
1 PLC	±0.2
2 PLC	±0.2
3 PLC	±0.2
4 PLC	±0.2
ANGLES	±1°

MATERIAL SEE TABLE FINISH SEE TABLE

WEIGHT -

CUSTOMER DRAWING

DWN M. Neitzel 08JAN2002  
 CHK H. Ploesser -  
 APVD H. PLOESSER 26FEB2002  
 PRODUCT SPEC -  
 APPLICATION SPEC -

NAME MAG-MATE Kontakt mit Loetpin Baugroesse .300 mod.

SIZE A3 CAGE CODE 00779 DRAWING NO. C-1534685 RESTRICTED TO -

SCALE 10:1 SHEET 1 OF 1 REV A2

1470-19 (3/11) Pro/ENGINEER DRAWING

