



Chipsmall Limited consists of a professional team with an average of over 10 year of expertise in the distribution of electronic components. Based in Hongkong, we have already established firm and mutual-benefit business relationships with customers from,Europe,America and south Asia,supplying obsolete and hard-to-find components to meet their specific needs.

With the principle of “Quality Parts,Customers Priority,Honest Operation,and Considerate Service”,our business mainly focus on the distribution of electronic components. Line cards we deal with include Microchip,ALPS,ROHM,Xilinx,Pulse,ON,Everlight and Freescale. Main products comprise IC,Modules,Potentiometer,IC Socket,Relay,Connector.Our parts cover such applications as commercial,industrial, and automotives areas.

We are looking forward to setting up business relationship with you and hope to provide you with the best service and solution. Let us make a better world for our industry!



Contact us

Tel: +86-755-8981 8866 Fax: +86-755-8427 6832

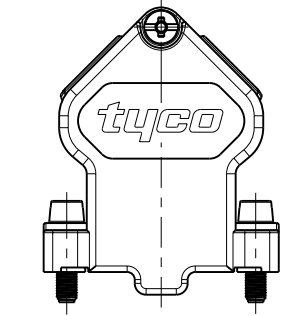
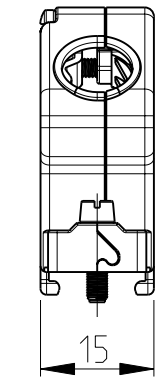
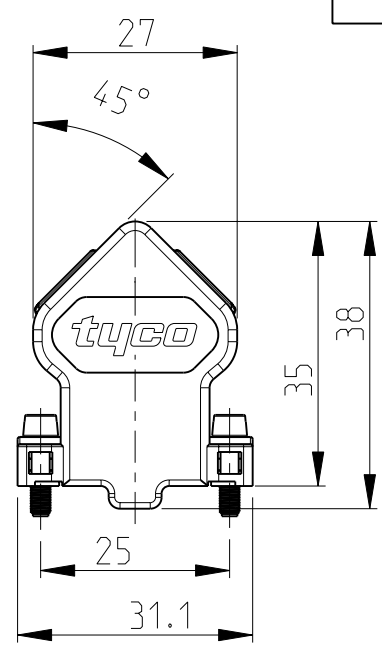
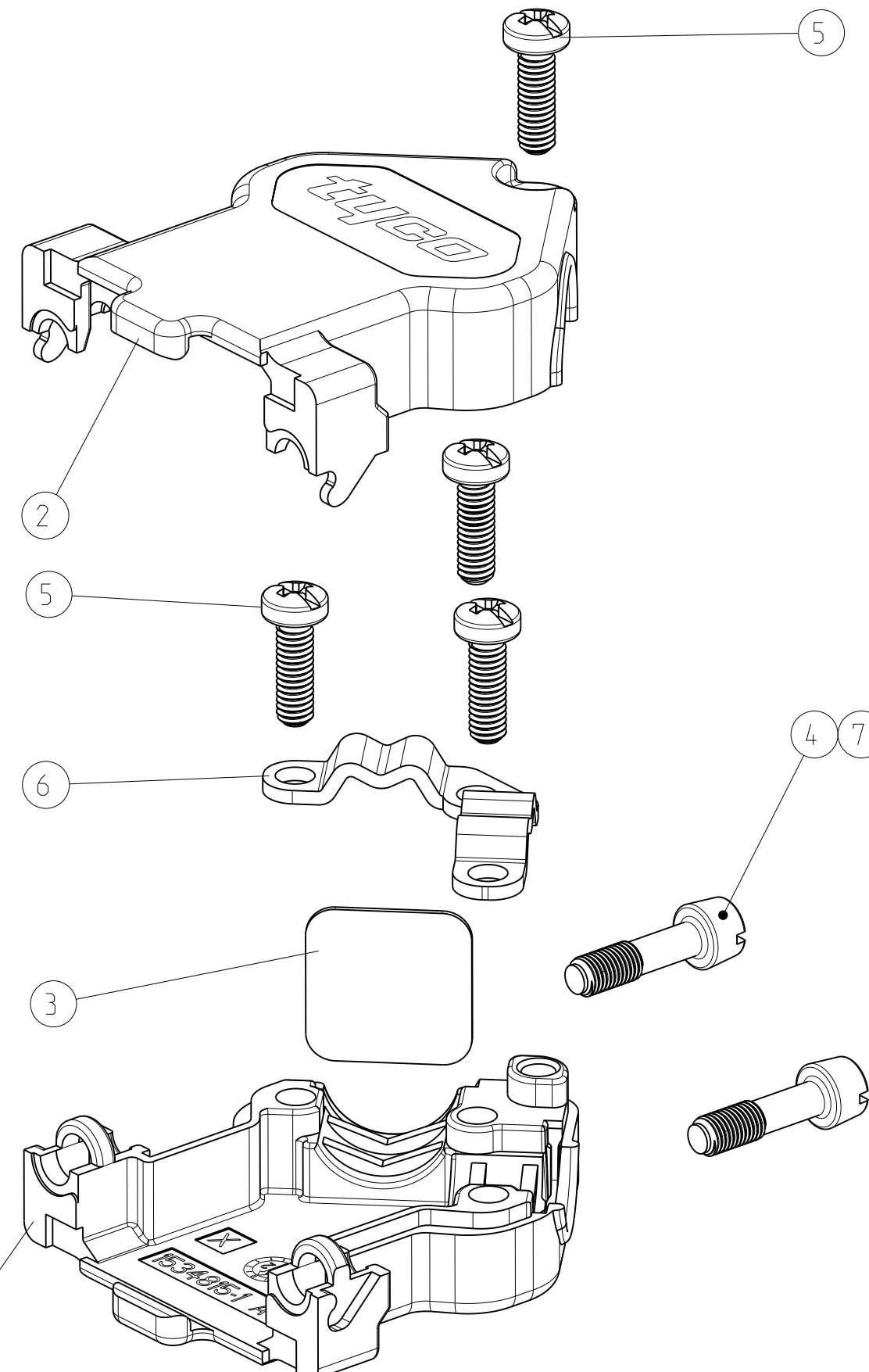
Email & Skype: info@chipsmall.com Web: www.chipsmall.com

Address: A1208, Overseas Decoration Building, #122 Zhenhua RD., Futian, Shenzhen, China



THIS DRAWING IS UNPUBLISHED
 VERTRAULICHE UNVERÖFFENTLICHTE ZEICHNUNG
 © COPYRIGHT 2002
 RELEASED FOR PUBLICATION
 FREI FUER VERÖFFENTLICHUNG
 11.JUL - 2002
 ALL RIGHTS RESERVED.
 ALLE RECHTE VORBEHALTEN

LOC	DIST	REVISIONS ÄNDERUNGEN					
		P	LTR	DESCRIPTION BESCHREIBUNG	DATE	DWN	APVD
A1	-						
PROJEKT NR.: EGLPC01058			B1	ITEM 4: MOUNTING SCREW CHANGED.	03FEB2006	SH	RK
			B2	REVISED PER ECO-09-027197	18DEC2009	KK	AEG
			B3	ECR-11-006877	04OCT2011	RK	KMA



PACKING: PARTS PACKED LOOSE PIECE INTO MINIGRIP BAG
 10 MINIGRIP BAGS PACKED INTO FOLDING BOX
 MINIMUM ORDER QTY 120 PIECES
 RECOMMENDED CABLE DIAMETER: 4.8mm - 9mm

VERPACKUNG: TEILE LOSE IN PLASTIKBEUTEL VERPACKT
 10 PLASTIKBEUTEL IN FALTSCHÄTEL VERPACKT
 MINDESTBESTELLMENGE 120 STÜCK
 EMPFOHLENE KABELDURCHMESSER: 4.8mm - 9mm

TE ORDER NO. BESTELL-NR.	DASH NO.	DASH NO.	POS.	DESCRIPTION BENENNUNG	SURFACE OBERFLÄCHE COLOUR/FARBE	MATERIAL
1534 805				HEXAGON SOCKET HEAD SCREW SCHRAUBE MIT INNENSECHSKANT UNC 4-40	ZINC PLATED VERZINKT	STEEL STAHL
				CABLE CLAMP KABELSCHELLE	ZINC PLATED VERZINKT	STEEL STAHL
				TAPTITE-SCREW M2.5x8 TAPTITE-SCHRAUBE M2.5x8	ZINC PLATED VERZINKT	STEEL STAHL
				MOUNTING SCREW UNC 4-40 MONTAGESCHRAUBE UNC 4-40	ZINC PLATED VERZINKT	STEEL STAHL
				DUMMY PLATE BLINDPLATTE	PLAIN BLANK	STEEL STAHL
				COVER HALF (UPPER PART) KAPPENHAELFTE (OBERTEIL)	PLAIN BLANK	GD - Zn
				COVER HALF (LOWER PART) KAPPENHAELFTE (UNTERTEIL)	PLAIN BLANK	GD - Zn

THIS DRAWING IS A CONTROLLED DOCUMENT.
 DIESES ZEICHNUNGSdokUMENT WIRD DURCH AMP INCORPORATED KONTROLLIERT.
 ÄNDERUNGEN, DIE DEM TECHNISCHEN FORTSCHRITT DIENEN, SIND VORBEHALTEN.
 DEN JEWELNS LETZTGÜLTIGEN ÄNDERUNGSSTAND ERFAHREN SIE AUF ANFRAGE.

DIMENSIONS:
MASSEINHEITEN:
mm

TOLERANCES UNLESS
OTHERWISE SPECIFIED:
ALLGEMEINTOLERANZEN

0 PLC ±0.15
 1 PLC ±0.15
 2 PLC ±0.15
 3 PLC ±
 4 PLC ±
 ANGLES/W INKEL ±1

MATERIAL - FINISH/OBERFLÄCHE/FARBE -

DWN M.Bollenbach 21JUN2002
 CHK R.Kraemer 21JUN2002
 APVD G.Feldmeier 21JUN2002

PRODUCT SPEC
PRODUKTSPEZ.
108-18880-1

APPLICATION SPEC
VERARBEITUNGSSPEZ.
114-18584-1

WEIGHT
GEWICHT -

CUSTOMER DRAWING /KUNDENZEICHNUNG

STE TE Connectivity

NAME
HD20 - COVER KIT (9 POS.)
HD20 - KAPPENKIT (9 POL.)
WITH CABLE CLAMP / MIT KABELSCHELLE

SIZE A3 CAGE CODE 00779 DRAWING NO. ZEICHNUNGS-NR. 1534805 RESTRICTED TO NUR FUER -

SCALE MASSSTAB 5:2 SHEET BLATT 1 OF VON 1 REV B3

- 1 OBSOLETE PARTS: OBSOLETE CIS STREAMLINING PER D.RENAUD/D.SINISI
- 2 CROSS RECESSED HEAD PUNCHES Z PLUS-MINUS OR PLUS (POZIDRIV) KREUZSCHLITZSTEMPEL Z PLUS-MINUS ODER PLUS (POZIDRIV)