



Chipsmall Limited consists of a professional team with an average of over 10 year of expertise in the distribution of electronic components. Based in Hongkong, we have already established firm and mutual-benefit business relationships with customers from,Europe,America and south Asia,supplying obsolete and hard-to-find components to meet their specific needs.

With the principle of “Quality Parts,Customers Priority,Honest Operation,and Considerate Service”,our business mainly focus on the distribution of electronic components. Line cards we deal with include Microchip,ALPS,ROHM,Xilinx,Pulse,ON,Everlight and Freescale. Main products comprise IC,Modules,Potentiometer,IC Socket,Relay,Connector.Our parts cover such applications as commercial,industrial, and automotives areas.

We are looking forward to setting up business relationship with you and hope to provide you with the best service and solution. Let us make a better world for our industry!



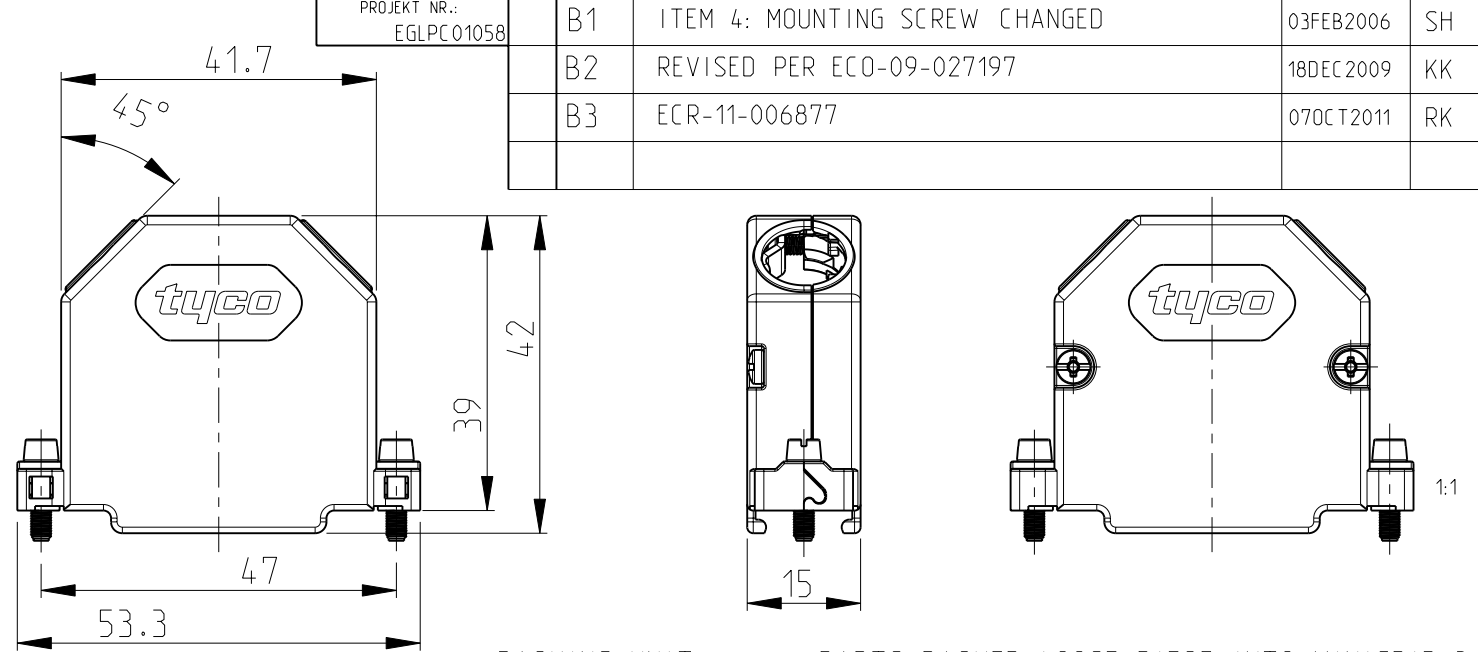
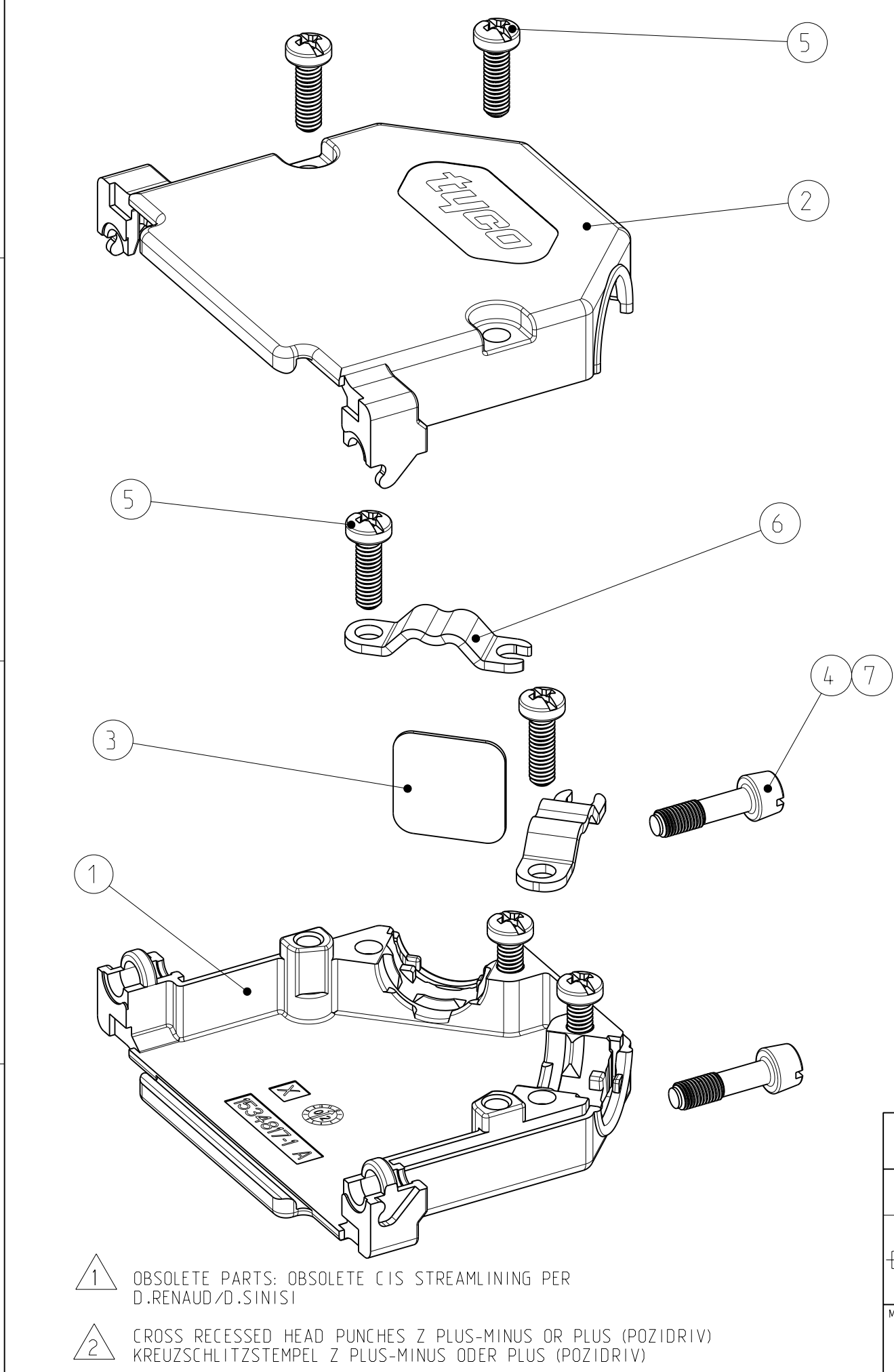
Contact us

Tel: +86-755-8981 8866 Fax: +86-755-8427 6832

Email & Skype: info@chipsmall.com Web: www.chipsmall.com

Address: A1208, Overseas Decoration Building, #122 Zhenhua RD., Futian, Shenzhen, China





PACKING UNIT: PARTS PACKED LOOSE PIECE INTO MINIGRIP BAG
 10 MINIGRIP BAGS PACKED INTO FOLDING BOX
 MINIMUM ORDER QTY 120 PIECES
 RECOMMENDED CABLE DIAMETER: 4.8mm - 11mm
 VERPACKUNGSEINHEIT: TEILE LOSE IN PLASTIKBEUTEL VERPACKT
 10 PLASTIKBEUTEL IN FALTSCHACHEL VERPACKT
 MINDESTBESTELLMENGE 120 STÜCK
 EMPFOHLENE KABELDURCHMESSER: 4.8mm - 11mm

TE ORDER NO. BESTELL-NR.	DASH NO.		POS.	DESCRIPTION BENENNUNG	SURFACE OBERFLAECHE COLOUR/FARBE	MATERIAL
	-2	-1				
1534 809	2	-	7	HEXAGON SOCKET HEAD SCREW SCHRAUBE MIT INNENSECHSKANT UNC 4-40	ZINC PLATED VERZINKT	STEEL STAHL
	2	2	6	CABLE CLAMP KABELSCHELLE	ZINC PLATED VERZINKT	STEEL STAHL
	6	6	5	TAPTITE-SCREW M2.5x8 TAPTITE-SCHRAUBE M2.5x8	ZINC PLATED VERZINKT	STEEL STAHL
	-	2	4	MOUNTING SCREW UNC 4-40 MONTAGESCHRAUBE UNC 4-40	ZINC PLATED VERZINKT	STEEL STAHL
	1	1	3	DUMMY PLATE BLINDPLATTE	PLAIN BLANK	STEEL STAHL
	1	1	2	COVER HALF (UPPER PART) KAPPENHAELFTE (OBERTEIL)	PLAIN BLANK	GD - Zn
	1	1	1	COVER HALF (LOWER PART) KAPPENHAELFTE (UNTERTEIL)	PLAIN BLANK	GD - Zn

1
OBSOLETE

- 1 OBSOLETE PARTS: OBSOLETE CIS STREAMLINING PER D.RENAUD/D.SINISI
- 2 CROSS RECESSED HEAD PUNCHES Z PLUS-MINUS OR PLUS (POZIDRIV) KREUZSCHLITZSTEMPEL Z PLUS-MINUS ODER PLUS (POZIDRIV)

THIS DRAWING IS A CONTROLLED DOCUMENT.
 DIESES ZEICHNUNGSdokUMENT WIRD DURCH AMP INCORPORATED KONTROLLIERT.
 AENDERUNGEN, DIE DEM TECHNISCHEM FORTSCHRITT DIENEN, SIND VORBEHALTEN.
 DEN JEWELIGEN LETZTGUELTIGEN AENDERUNGSSTAND ERFAHREN SIE AUF ANFRAGE.

DIMENSIONS: MASSEINHEITEN: mm
 TOLERANCES UNLESS OTHERWISE SPECIFIED: ALLGEMEINTOLERANZEN

0 PLC ±0.15
 1 PLC ±0.15
 2 PLC ±0.15
 3 PLC ±
 4 PLC ±
 ANGLES/WINKEL ±1
 MATERIAL - FINISH/OBERFLAECHE/FARBE -

DWN M.Bollenbach 25JUN2002
 CHK R.Kraemer 25JUN2002
 APVD G.Feldmeier 25JUN2002

PRODUCT SPEC 108-18880-1
 APPLICATION SPEC 114-18584-1

WEIGHT -
 GEWICHT -

STE TE Connectivity

NAME HD20 - COVER KIT (25 POS.)
 HD20 - KAPPENKIT (25 POL.)
 WITH CABLE CLAMP / MIT KABELSCHELLE

SIZE A3 CAGE CODE 00779 DRAWING NO. ZEICHNUNGS-NR. G-1534809 RESTRICTED TO NUR FUER -

CUSTOMER DRAWING /KUNDENZEICHNUNG SCALE MASSSTAB 2:1 SHEET BLATT 1 OF VON 1 REV B3