



Chipsmall Limited consists of a professional team with an average of over 10 year of expertise in the distribution of electronic components. Based in Hongkong, we have already established firm and mutual-benefit business relationships with customers from,Europe,America and south Asia,supplying obsolete and hard-to-find components to meet their specific needs.

With the principle of “Quality Parts,Customers Priority,Honest Operation,and Considerate Service”,our business mainly focus on the distribution of electronic components. Line cards we deal with include Microchip,ALPS,ROHM,Xilinx,Pulse,ON,Everlight and Freescale. Main products comprise IC,Modules,Potentiometer,IC Socket,Relay,Connector.Our parts cover such applications as commercial,industrial, and automotives areas.

We are looking forward to setting up business relationship with you and hope to provide you with the best service and solution. Let us make a better world for our industry!



Contact us

Tel: +86-755-8981 8866 Fax: +86-755-8427 6832

Email & Skype: info@chipsmall.com Web: www.chipsmall.com

Address: A1208, Overseas Decoration Building, #122 Zhenhua RD., Futian, Shenzhen, China



C

SPECIFICATIONS

BODY: BRASS, ENTEK CU-55 ANTI-TARNISH TREATMENT

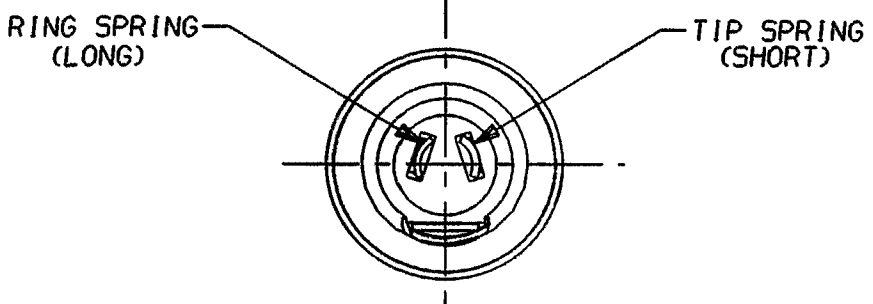
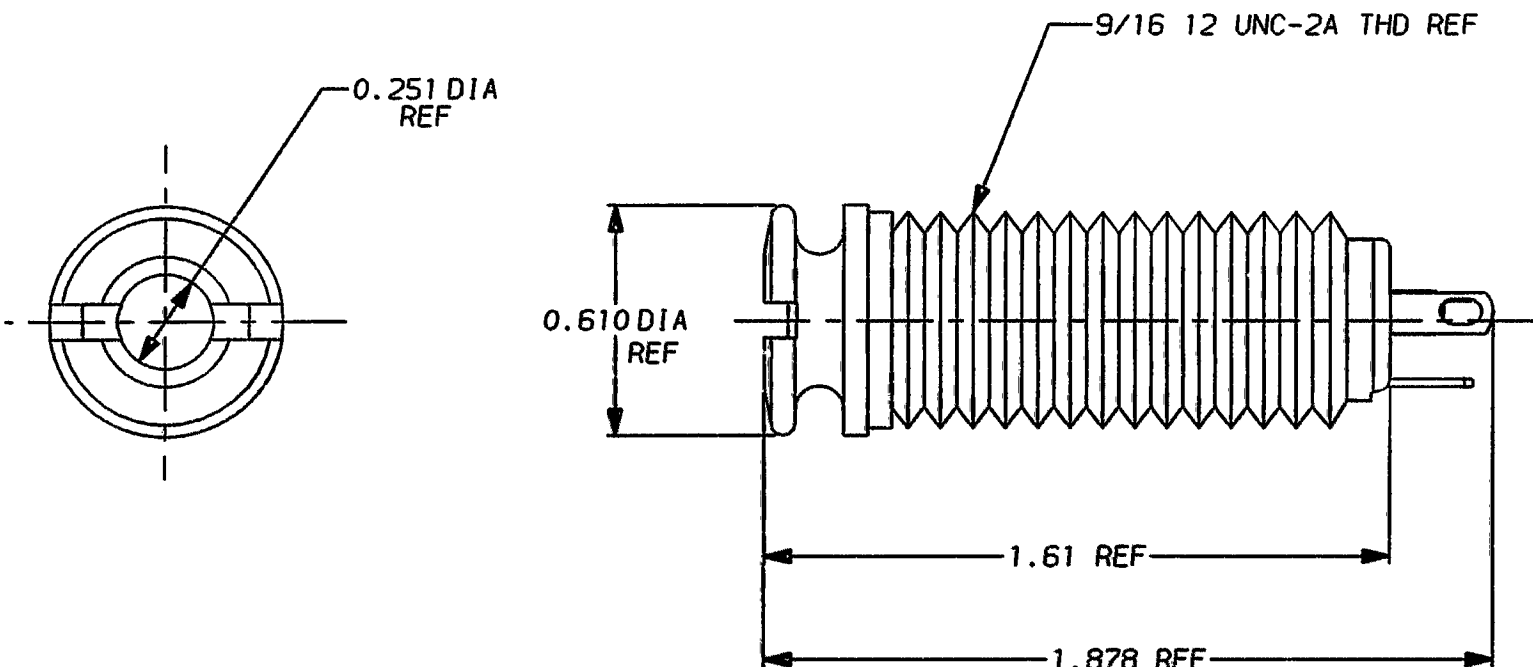
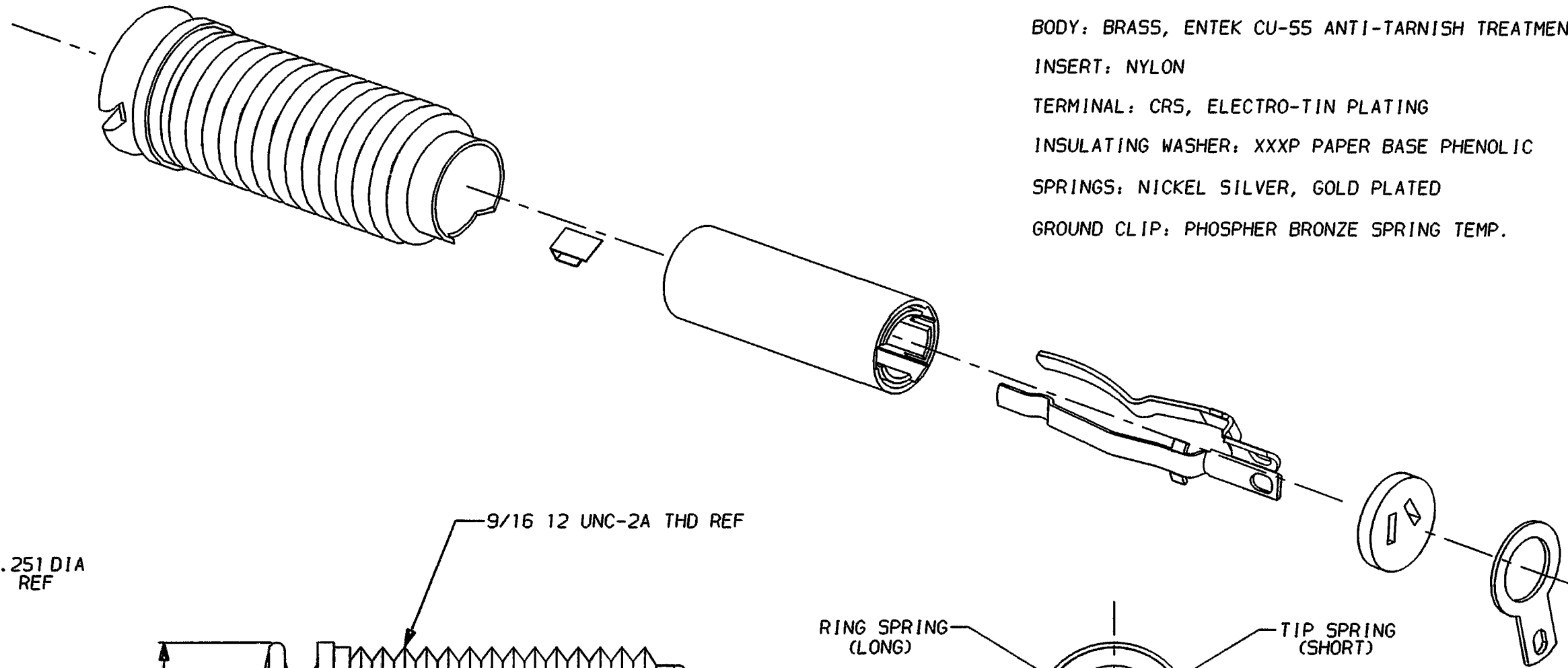
INSERT: NYLON

TERMINAL: CRS, ELECTRO-TIN PLATING

INSULATING WASHER: XXXP PAPER BASE PHENOLIC

SPRINGS: NICKEL SILVER, GOLD PLATED

GROUND CLIP: PHOSPHOR BRONZE SPRING TEMP.



CUSTOMER DRAWING
 CAD/CAM DWG. NO.
 153.CD
 SHEET 1 OF 1

C

NOTE:

1. SHIPPED WITH HARDWARE UNASSEMBLED.

ISSUE	CHANGE NO.	DATE	BY	APP'D
C	ECO #21957	9-24-97	OM	JF
B	ECO #21598	9-24-97	OM	JF
A	ECO #21426	11-22-96	DA	MW

★ STAR SYMBOL DENOTES CRITICAL DIMENSION, SEE S/C ENGINEERING STANDARD ES-0001
 UNLESS OTHERWISE SPECIFIED
 1. ALL DIMENSIONS IN INCHES
 TWO PLACE DECIMAL ±.01
 THREE PLACE DECIMAL ±.005
 FRACTIONAL DIMENSIONS ±1/64
 ANGLES ±1/2°
 ALL DIA'S CONCENTRIC WITHIN .005 T.I.R.
 2. REMOVE ALL BURRS
 3. MAKE NO DIMENSIONAL ALLOWANCES FOR APPLIED FINISHES, I.E., PLATING, PAINTING, ETC.
 4. HOLES ON THE SAME CENTERLINE MUST BE ALIGNED WITHIN ±.002

THIS DRAWING DESCRIBES A DESIGN CONSIDERED PROPRIETARY IN NATURE, DEVELOPED AND MANUFACTURED BY SWITCHCRAFT INC. AND IS RELEASED ON A CONFIDENTIAL BASIS FOR IDENTIFICATION PURPOSE ONLY.

SIZE	WIDTH	MULT	LBS./IN	TEMPER
FINISH				
SPEC. NO.				
FIRST USED ON		SCALE		
		1 = 0.5		
DATE DRAWN	BY	CHK'D	APP'D	
11-22-96	DA	DA	DA	MW
		11-22-96	1-31-97	
NAME	PART NO.		ISSUE	
THICK PANEL JAX	153		C	

REVISIONS

DO NOT SCALE DRAWING