



Chipsmall Limited consists of a professional team with an average of over 10 year of expertise in the distribution of electronic components. Based in Hongkong, we have already established firm and mutual-benefit business relationships with customers from,Europe,America and south Asia,supplying obsolete and hard-to-find components to meet their specific needs.

With the principle of “Quality Parts,Customers Priority,Honest Operation,and Considerate Service”,our business mainly focus on the distribution of electronic components. Line cards we deal with include Microchip,ALPS,ROHM,Xilinx,Pulse,ON,Everlight and Freescale. Main products comprise IC,Modules,Potentiometer,IC Socket,Relay,Connector.Our parts cover such applications as commercial,industrial, and automotives areas.

We are looking forward to setting up business relationship with you and hope to provide you with the best service and solution. Let us make a better world for our industry!



Contact us

Tel: +86-755-8981 8866 Fax: +86-755-8427 6832

Email & Skype: info@chipsmall.com Web: www.chipsmall.com

Address: A1208, Overseas Decoration Building, #122 Zhenhua RD., Futian, Shenzhen, China



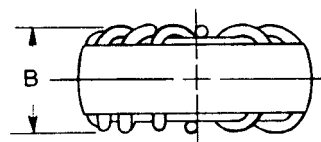
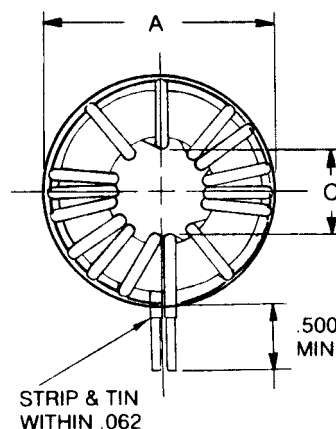
EMI / RFI Toroid (1540 Series)

Chokes



HIGH CURRENT TOROID INDUCTORS

- Ideal for EMI/RFI filtering applications
- Suitable for energy storage inductors for switching power supplies.
- High current
- Minimum .5" long leads, for P.C. board mounting.



Selection Table

Part No.	Inductance Ls +/- 15% @ 0A D.C. uH	Rated D.C. Amps	Minimum Inductance at rated D.C. uH	D.C. Resistance max. Ohms	D.C. Amps for 0.8 Ls	Dimensions			Typ. Lead Dia. (In.)
						A Max. (Inches)	B Max. (Inches)	C Min. (Inches)	
1540M01	10	11	5	0.008	7.5	0.875	0.437	0.187	0.064
1540M02	25	5.5	12	0.014	3.25	0.875	0.437	0.187	0.040
1540M03	125	2.75	70	0.12	1.5	0.875	0.437	0.187	0.020
1540M04	275	2	150	0.24	1.3	0.875	0.437	0.187	0.016
1540M05	450	1.5	250	0.49	0.8	0.875	0.437	0.187	0.012
1540M06	25	9	15	0.012	5.5	1.125	0.562	0.312	0.064
1540M07	75	5	40	0.04	3	1.125	0.562	0.312	0.036
1540M08	400	2.25	225	0.33	1.4	1.125	0.562	0.312	0.018
1540M09	800	1.75	475	0.64	1	1.125	0.562	0.312	0.015
1540M10	1000	1.5	575	0.98	0.9	1.125	0.562	0.312	0.012
1540M11	50	9.5	25	0.012	6	1.25	0.625	0.375	0.064
1540M12	150	4.75	85	0.046	2.5	1.25	0.625	0.375	0.036
1540M13	700	2.25	400	0.42	1.25	1.25	0.625	0.375	0.018
1540M14	1250	1.75	750	0.85	1	1.25	0.625	0.375	0.015
1540M15	1600	1.5	950	1.27	0.8	1.25	0.625	0.375	0.012
1540M16	125	7.75	65	0.032	5.25	1.812	0.750	0.750	0.064
1540M17	500	4	275	0.15	2.75	1.812	0.750	0.750	0.032
1540M18	1100	2.5	650	0.33	1.8	1.812	0.750	0.750	0.025
1540M19	2250	1.75	1350	0.92	1.3	1.812	0.750	0.750	0.080
1540M20	4500	1.25	2700	2.64	0.9	1.812	0.750	0.750	0.012
1540M21	250	8	125	0.041	4.75	2.125	0.937	0.625	0.062
1540M22	900	3.75	500	0.175	2	2.125	0.937	0.625	0.032
1540M23	1800	2.5	1000	0.55	1.4	2.125	0.937	0.625	0.023
1540M24	4000	1.75	2100	1.16	1.1	2.125	0.937	0.625	0.018
1540M25	8000	1	4500	3.34	0.7	2.125	0.937	0.625	0.012



CANADA
Guelph, Ontario (519) 822-2960
St. Laurent, Quebec (514) 343-9010
USA
Cheektowaga, NY (716) 630-7030

www.hammondmfg.com



EUROPE
Basingstoke, UK 01256 812812

AUSTRALIA
Queenstown, Australia 61-8-8240-2244