



Chipsmall Limited consists of a professional team with an average of over 10 year of expertise in the distribution of electronic components. Based in Hongkong, we have already established firm and mutual-benefit business relationships with customers from,Europe,America and south Asia,supplying obsolete and hard-to-find components to meet their specific needs.

With the principle of “Quality Parts,Customers Priority,Honest Operation,and Considerate Service”,our business mainly focus on the distribution of electronic components. Line cards we deal with include Microchip,ALPS,ROHM,Xilinx,Pulse,ON,Everlight and Freescale. Main products comprise IC,Modules,Potentiometer,IC Socket,Relay,Connector.Our parts cover such applications as commercial,industrial, and automotives areas.

We are looking forward to setting up business relationship with you and hope to provide you with the best service and solution. Let us make a better world for our industry!



Contact us

Tel: +86-755-8981 8866 Fax: +86-755-8427 6832

Email & Skype: info@chipsmall.com Web: www.chipsmall.com

Address: A1208, Overseas Decoration Building, #122 Zhenhua RD., Futian, Shenzhen, China



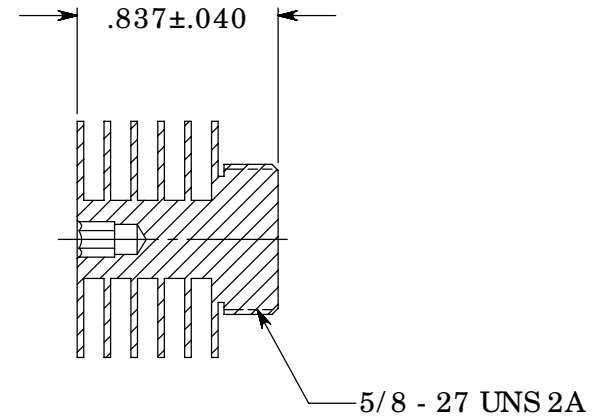
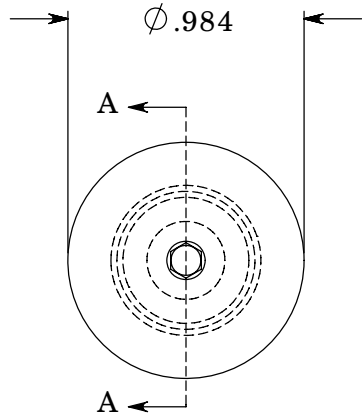
CONFIDENTIAL PROPERTY OF TYCO ELECTRONICS. NOT TO BE DISCLOSED TO OTHERS. REPRODUCED OR USED FOR ANY PURPOSES EXCEPT AS AUTHORIZED IN WRITING BY AN AUTHORIZED OFFICIAL OF TYCO. MUST BE RETURNED TO TYCO ON DEMAND, ON COMPLETION OF ORDERS OR OTHER PURPOSES FOR WHICH LENT

REF PART NO :

REVISION(S)

LTR	DESCRIPTION	INIT	APP'D
A	NEW RELEASE	J.B 11/5/99	C.R 11/5/99
B	REMOVED COOL LINK	K.B 3/28/00	C.R 3/28/00
C	ECN: 0S60-0152-05	E.T 5/25/05	S.D 5/25/05
D	ECR-06-017154	E.T 7/14/06	V.K 7/14/06

C U S T O M E R D R A W I N G



SECTION A-A

NOTES:

UNLESS OTHERWISE SPECIFIED

1. INTERPRET DRAWING PER ASME Y14.5M - 1994
2. RoHS COMPLIANT AND CERTIFIED.

P/N	FINISH
1542199-4	ANODIZE. BLACK SALEABLE PACKAGED VERSION

TOLERANCES UNLESS OTHERWISE SPECIFIED		CAD GENERATED DRAWING.		tyco / <i>Electronics</i> Attleboro Falls Massachusetts 02763	
ANGLES = $\pm 1^\circ$	DO NOT MANUALLY UPDATE		DESCRIPTION	HEAT SINK (HIS488)	
FRACTIONS = $\pm .02$	APPROVALS	DATE		DIMENSIONS ARE IN INCHES	SCALE: 1.25:1
XX = $\pm .010$	DRAWN: KB	11/5/99	SIZE: A		DWG. NO. C-1542199
.XX X = $\pm .005$	CHECKED: C.R	11/5/99	TYPED ANGLE PROJECTION	REV: D	
MATERIAL: ALUM.	APP'D BY:		PATH: N:\ENG\PART NUMBERS\HEAT SINKS_C-1542199		
FINISH: SEE TABLE					