



Chipsmall Limited consists of a professional team with an average of over 10 year of expertise in the distribution of electronic components. Based in Hongkong, we have already established firm and mutual-benefit business relationships with customers from,Europe,America and south Asia,supplying obsolete and hard-to-find components to meet their specific needs.

With the principle of “Quality Parts,Customers Priority,Honest Operation,and Considerate Service”,our business mainly focus on the distribution of electronic components. Line cards we deal with include Microchip,ALPS,ROHM,Xilinx,Pulse,ON,Everlight and Freescale. Main products comprise IC,Modules,Potentiometer,IC Socket,Relay,Connector.Our parts cover such applications as commercial,industrial, and automotives areas.

We are looking forward to setting up business relationship with you and hope to provide you with the best service and solution. Let us make a better world for our industry!



## Contact us

Tel: +86-755-8981 8866 Fax: +86-755-8427 6832

Email & Skype: info@chipsmall.com Web: www.chipsmall.com

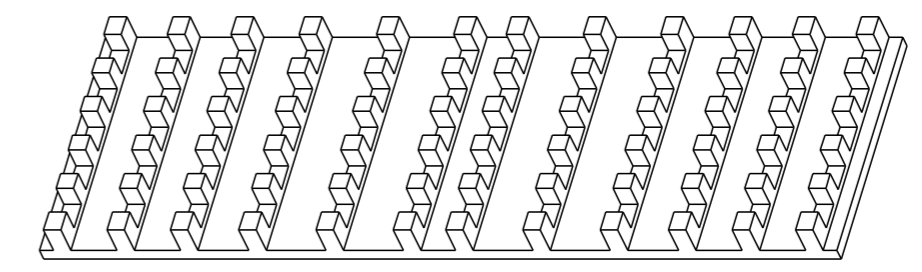
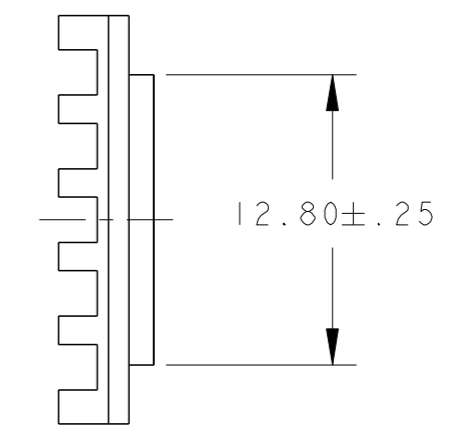
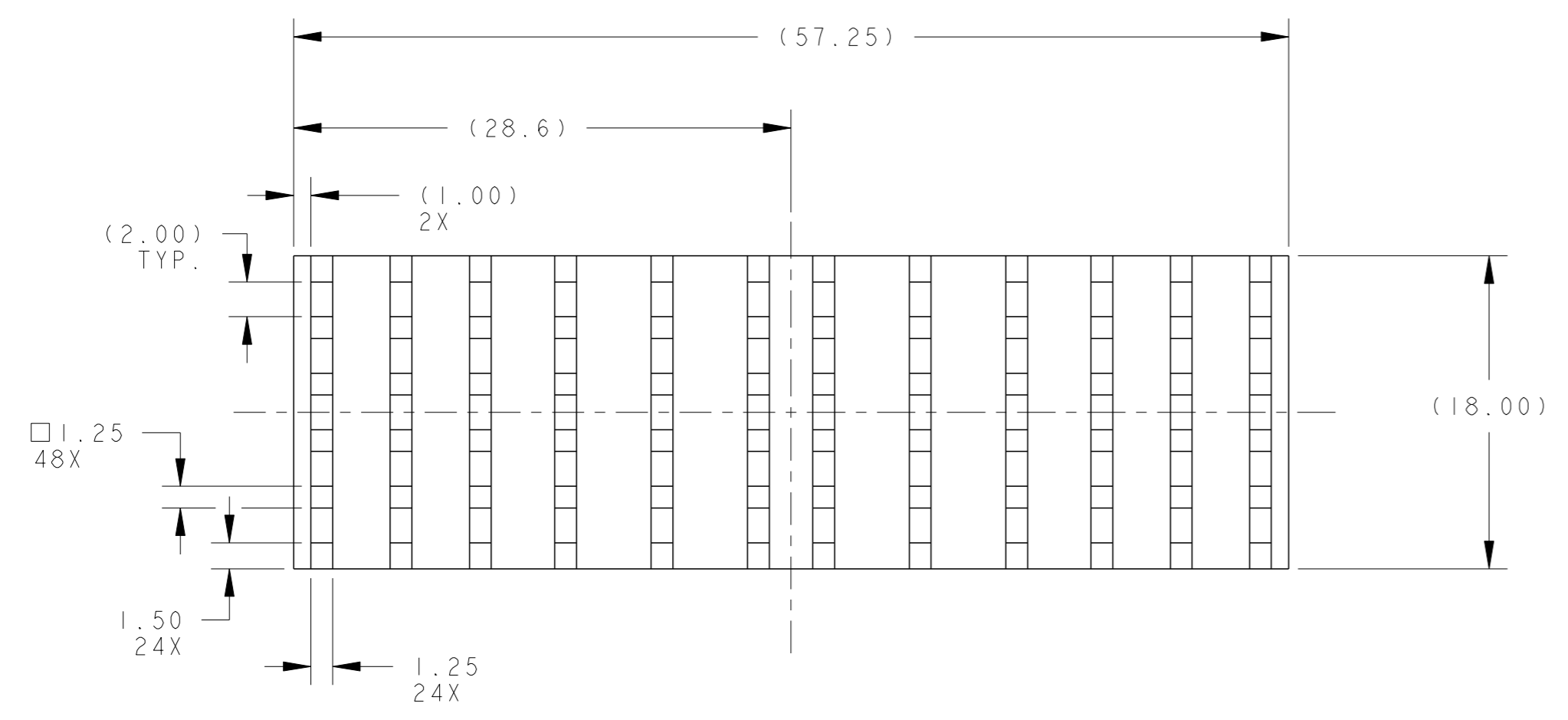
Address: A1208, Overseas Decoration Building, #122 Zhenhua RD., Futian, Shenzhen, China



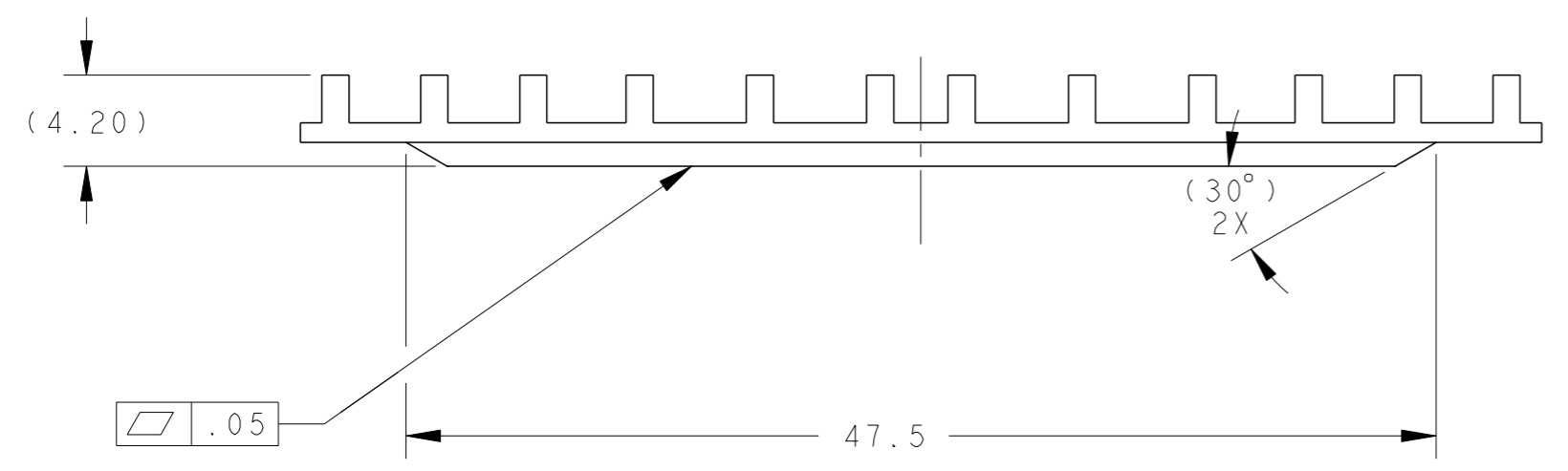
THIS DRAWING IS UNPUBLISHED. RELEASED FOR PUBLICATION  
 © COPYRIGHT 2011 ALL RIGHTS RESERVED.

LOC		DIST		REVISIONS			
P	LTR	DESCRIPTION	DATE	DWN	APVD		
	LI	REVISED PER ECO-11-005294	07APR2011	RK	HMR		
	M	REVISED PER ECR-11-020011	07OCT2011	WA	WA		

NOTES: UNLESS OTHERWISE SPECIFIED:  
 1. INTERPRET DRAWING PER ASME Y14.5M - 1994.



SCALE = 2X



ANODIZED BLACK (MIL-A-8625 TYPE II)	1542656-5
ELECTROLESS NICKEL	1542656-4
<b>FINISH</b>	<b>PART NUMBER</b>

THIS DRAWING IS A CONTROLLED DOCUMENT.		DWN E. TAO	3-26-03	<b>STE</b> TE Connectivity	
DIMENSIONS: mm		CHK S.G	3-26-03		
TOLERANCES UNLESS OTHERWISE SPECIFIED:		APVD		NAME	
0 PLC ±		-		PRODUCT SPEC	
1 PLC ±.5		-		APPLICATION SPEC	
2 PLC ±.20		-		SIZE	
3 PLC ±.100		-		CAGE CODE	
4 PLC ±		-		DRAWING NO	
ANGLES ±°		WEIGHT		RESTRICTED TO	
FINISH		-		-	
MATERIAL		CUSTOMER DRAWING		SCALE 4:1	
6063-T5 ALUMINUM		SEE TABLE		SHEET 1 OF 1	
		A2		REV M	
		G=1542656			