



Chipsmall Limited consists of a professional team with an average of over 10 year of expertise in the distribution of electronic components. Based in Hongkong, we have already established firm and mutual-benefit business relationships with customers from,Europe,America and south Asia,supplying obsolete and hard-to-find components to meet their specific needs.

With the principle of "Quality Parts,Customers Priority,Honest Operation,and Considerate Service",our business mainly focus on the distribution of electronic components. Line cards we deal with include Microchip,ALPS,ROHM,Xilinx,Pulse,ON,Everlight and Freescale. Main products comprise IC,Modules,Potentiometer,IC Socket,Relay,Connector.Our parts cover such applications as commercial,industrial, and automotives areas.

We are looking forward to setting up business relationship with you and hope to provide you with the best service and solution. Let us make a better world for our industry!



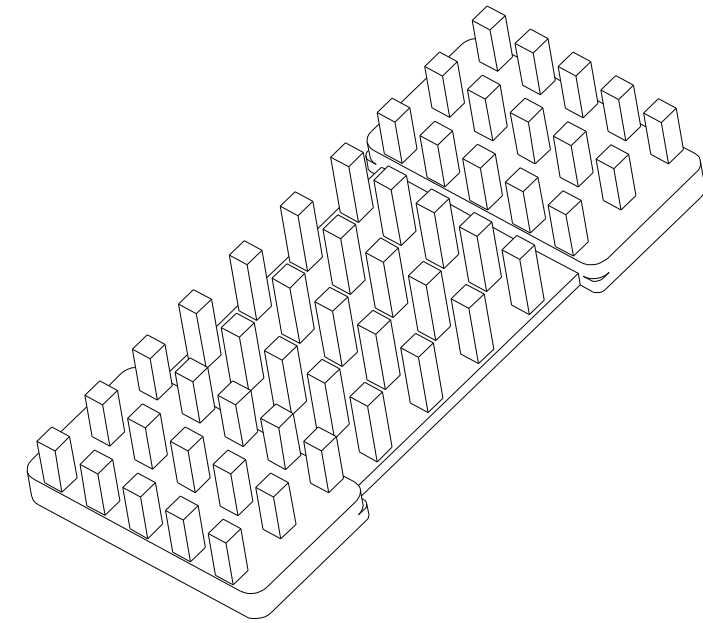
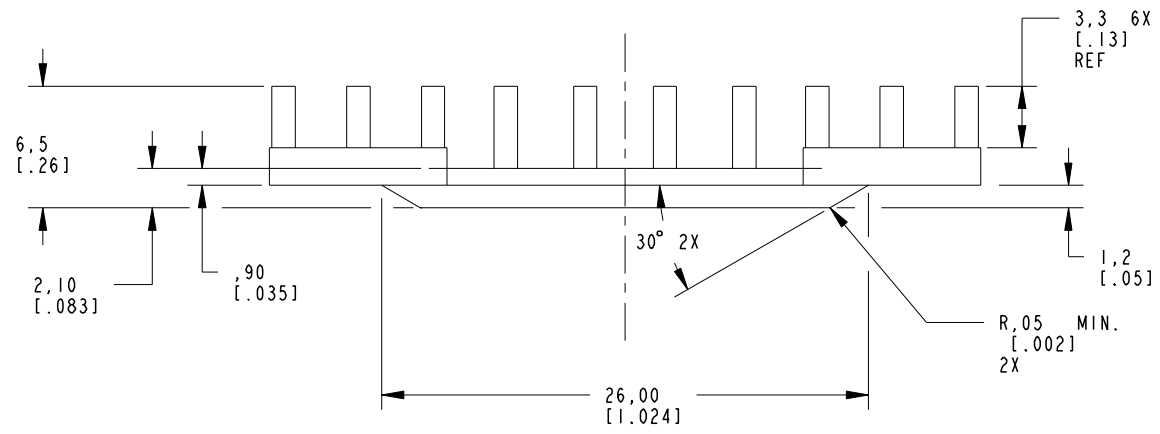
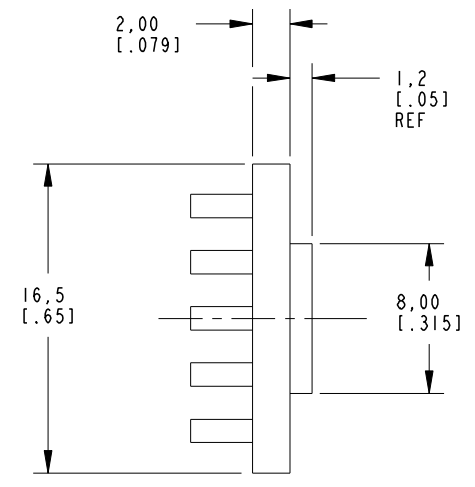
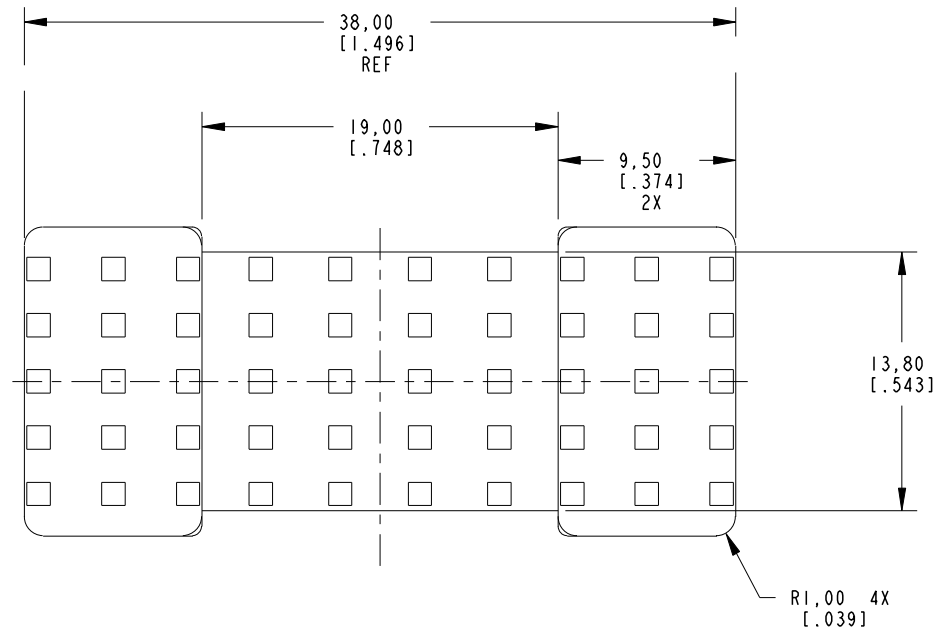
## Contact us

Tel: +86-755-8981 8866 Fax: +86-755-8427 6832

Email & Skype: info@chipsmall.com Web: www.chipsmall.com

Address: A1208, Overseas Decoration Building, #122 Zhenhua RD., Futian, Shenzhen, China





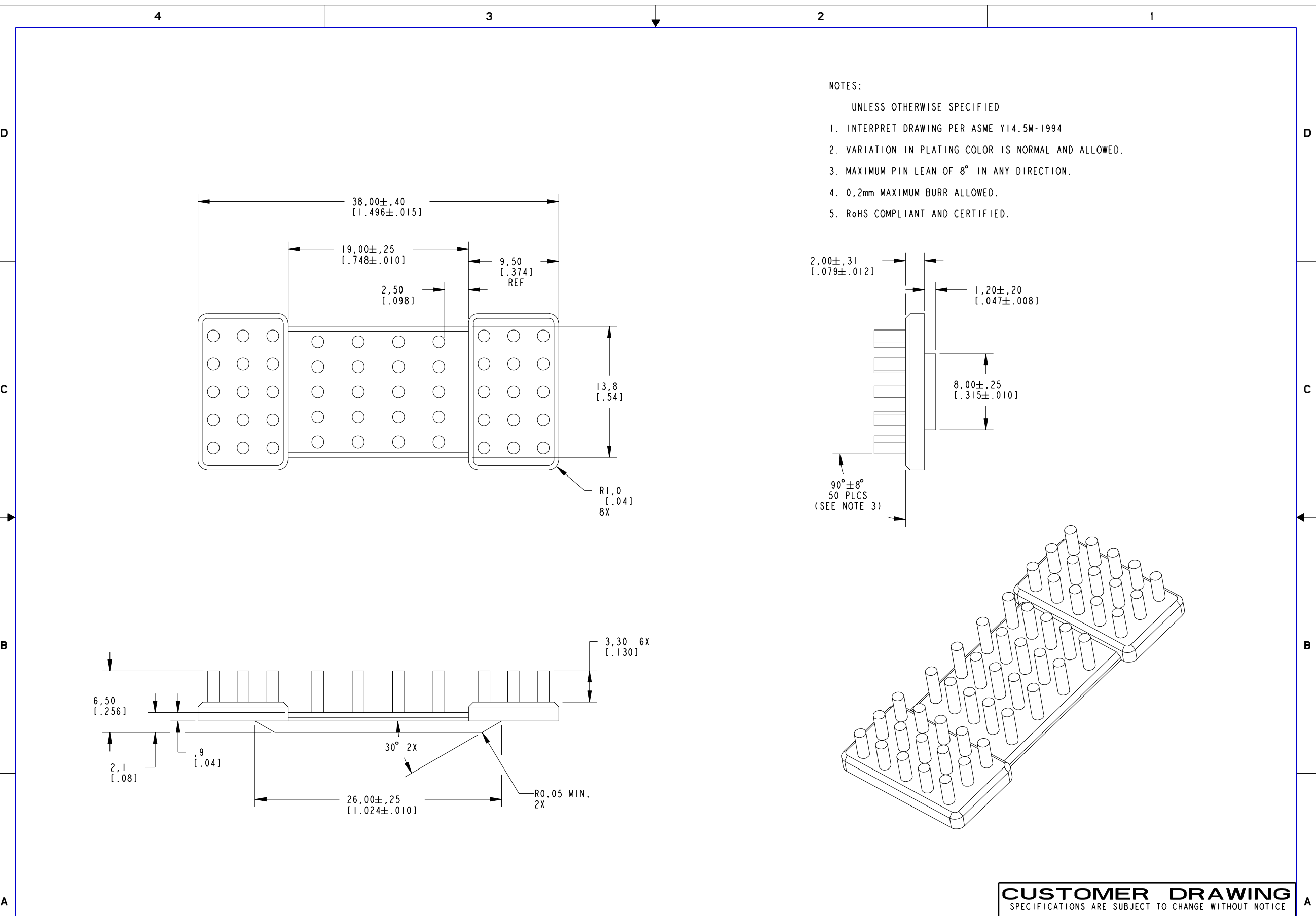
| PART NUMBER | DESCRIPTION                    | FINISH   |
|-------------|--------------------------------|--|
| 1542924-1   | SQUARE PIN HEAT SINK (SHEET 1) | N/A  |
| 1542924-2   | ROUND PIN HEAT SINK (SHEET 2)  | IMMERSION NICKEL PLATED<br>0,076-0,254 MICROMETERS THICK |

**CUSTOMER DRAWING**  
SPECIFICATIONS ARE SUBJECT TO CHANGE WITHOUT NOTICE

| REV.     | DESCRIPTION         | DATE | APP'D. |
|----------|---------------------|------|--------|
| RELEASE  | OS60-0253-04        |      |        |
|          | E.TAO 10-13-04      |      |        |
|          | APP'D: AM 10-18-04  |      |        |
| REVISED  | OS60-0285-04        |      |        |
|          | ETAO 11-17-04       |      |        |
|          | APP'D: AM 11-17-04  |      |        |
| REVISED  | OS60-0321           |      |        |
|          | DA 12-22-04         |      |        |
|          | APP'D: AM 12-22-04  |      |        |
| RELEASED | OS60-0003-05        |      |        |
|          | ETAO 1-4-05         |      |        |
|          | APP'D: B.P. 1-10-05 |      |        |
| REVISED  | OS60-0103-05        |      |        |
|          | ETAO 4-12-05        |      |        |
|          | APP'D: B.P. 6-15-05 |      |        |
| RELEASED | ECO-08-007831       |      |        |
|          | ETAO 3-30-08        |      |        |
|          | APP'D: B.P. 4-2-08  |      |        |

|                     |  |                     |                              |                                 |
|---------------------|--|---------------------|------------------------------|---------------------------------|
| <b>DO NOT SCALE</b> | <b>Tyco Electronics</b>                    |                     | Norwood, Massachusetts 02062 |                                 |
|                     | UNLESS OTHERWISE SPECIFIED TOLERANCES ARE: | DRAWN BY: E.TAO     | DATE: 10-13-04               | MATERIAL: 6060-T5 CAST ALUMINUM |
|                     | X, X ± .5                                  | ENGINEER: A.MICHAUD | DATE: 10-18-04               | FINISH: SEE TABLE               |
|                     | X, XX ± .25                                | FILENAME: C-1542924 | PROJECT: PRO-E               |                                 |

|  |            |                                |              |
|--|------------|--------------------------------|--------------|
| CONFIDENTIAL PROPERTY OF TYCO ELECTRONICS. NOT TO BE DISCLOSED TO OTHERS. REPRODUCED OR USED FOR ANY PURPOSES EXCEPT AS AUTHORIZED IN WRITING BY AN AUTHORIZED OFFICIAL OF TYCO ELECTRONICS. MUST BE RETURNED TO TYCO ELECTRONICS ON DEMAND, ON COMPLETION OF ORDERS OR OTHER PURPOSES FOR WHICH LEFT. |            | TITLE: HEATSINK SFP 6.5MM TALL |              |
| DIMENSIONS ARE IN: MILLIMETERS   | SCALE: 4:1 | TE PART NO.: SEE TABLE         | SHEET 1 of 2 |
| THIRD ANGLE PROJECTION   | SIZE: C    | DWG. NO.: C-1542924            | REV. DI      |



**CUSTOMER DRAWING**  
 SPECIFICATIONS ARE SUBJECT TO CHANGE WITHOUT NOTICE

|                              |   |                      |  |                                 |                                |                        |
|------------------------------|---|----------------------|--|---------------------------------|--------------------------------|------------------------|
| REVISION INFO<br>SEE SHEET 1 | <b>Tyco Electronics</b><br>Norwood, Massachusetts 02062 |                      | CONFIDENTIAL PROPERTY OF TYCO ELECTRONICS. NOT TO BE DISCLOSED TO OTHERS. REPRODUCED OR USED FOR ANY PURPOSES EXCEPT AS AUTHORIZED IN WRITING BY AN AUTHORIZED OFFICIAL OF TYCO ELECTRONICS. MUST BE RETURNED TO TYCO ELECTRONICS ON DEMAND, ON COMPLETION OF ORDERS OR OTHER PURPOSES FOR WHICH LEFT. |                                 | TITLE: HEATSINK SFP 6,5MM TALL |                        |
|                              | UNLESS OTHERWISE SPECIFIED TOLERANCES ARE:              | DRAWN BY: E. TAO     | DATE: 10-13-04   | MATERIAL: 6063-T5 CAST ALUMINUM | SCALE: 4:1                     | TE PART NO.: 1542924-2 |
|                              | X, X ± ,5   | ENGINEER: A. MICHAUD | DATE: 10-18-04   | FINISH: SEE TABLE               | SIZE: C                        | SHEET 2 of 2           |
|                              | X, XX ± ,25   | FILENAME: C-1542924  | PROJECT: .   | SYSTEM: PRO/E                   | THIRD ANGLE PROJECTION         | DWG. NO.: C-1542924    |
| X, XXX ± .                   |   |                      |  |                                 | REV. DI                        |                        |
| ANGLES ± °                   |   |                      |  |                                 |                                |                        |