



Chipsmall Limited consists of a professional team with an average of over 10 year of expertise in the distribution of electronic components. Based in Hongkong, we have already established firm and mutual-benefit business relationships with customers from,Europe,America and south Asia,supplying obsolete and hard-to-find components to meet their specific needs.

With the principle of “Quality Parts,Customers Priority,Honest Operation,and Considerate Service”,our business mainly focus on the distribution of electronic components. Line cards we deal with include Microchip,ALPS,ROHM,Xilinx,Pulse,ON,Everlight and Freescale. Main products comprise IC,Modules,Potentiometer,IC Socket,Relay,Connector.Our parts cover such applications as commercial,industrial, and automotives areas.

We are looking forward to setting up business relationship with you and hope to provide you with the best service and solution. Let us make a better world for our industry!



## Contact us

Tel: +86-755-8981 8866 Fax: +86-755-8427 6832

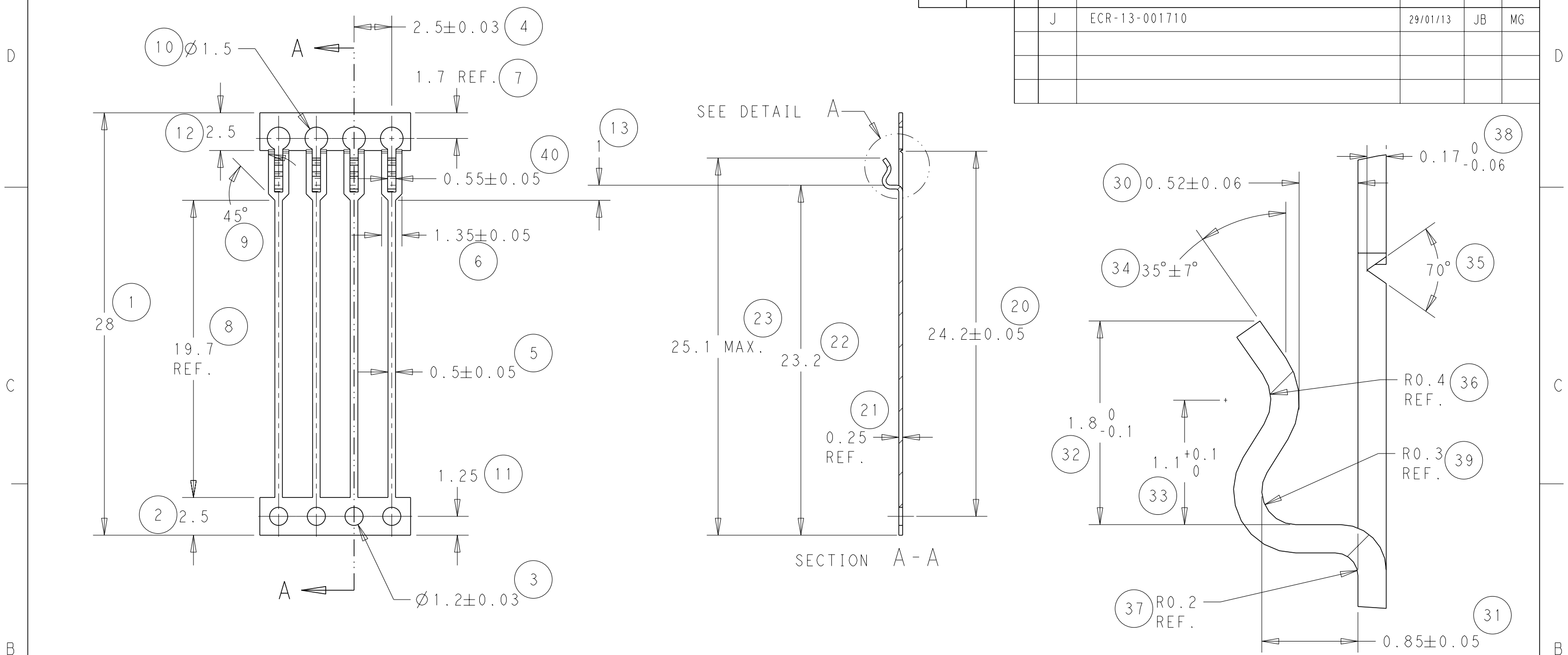
Email & Skype: info@chipsmall.com Web: www.chipsmall.com

Address: A1208, Overseas Decoration Building, #122 Zhenhua RD., Futian, Shenzhen, China

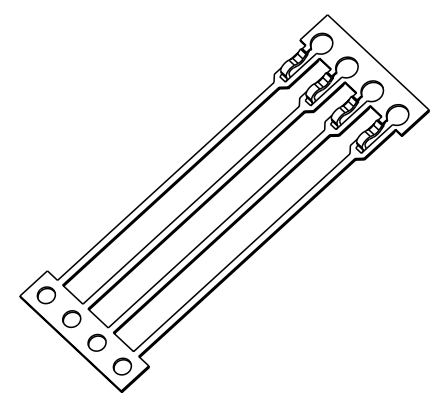


THIS DRAWING IS UNPUBLISHED. RELEASED FOR PUBLICATION 2011  
 © COPYRIGHT 2011 TE CONNECTIVITY ALL RIGHTS RESERVED.

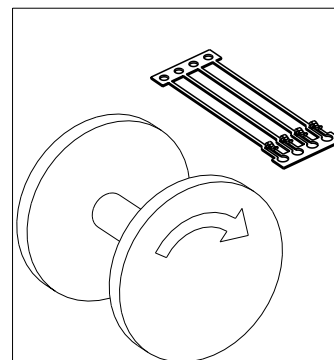
LOC	DIST	REVISIONS				
P	LTR	DESCRIPTION	DATE	DWN	APVD	
B	-	J	ECR-13-001710	29/01/13	JB	MG



NOTE  
 BOWING: AFTER UPPER TIE BAR REMOVAL- 2.0mm MAX. FOR 500mm  
 PITCH: AFTER UPPER TIE BAR REMOVAL- 2.5±0.2



SCALE 2:1



DIRECTION OF TOP OF REEL

DIRECTION "0" CONTACTS DOWN	DIRECTION "1" CONTACTS UPWARDS	DIRECTION
--------------------------------	-----------------------------------	-----------

THIS DRAWING IS A CONTROLLED DOCUMENT.

DIMENSIONS: mm	TOLERANCES UNLESS OTHERWISE SPECIFIED: 0 PLC ±- 1 PLC ±0.1 2 PLC ±0.05 3 PLC ±0.05 4 PLC ±- ANGLES ±3 FINISH SEE TABLE
MATERIAL PhBz	

0	PRE-TIN	0-1544118-1
REELING	FINISH	PART NUMBER
DWN J. BRIGHT 01/09/11		
CHK M. GREENER 01/09/11		
APVD D. PENNINGTON 01/09/11		
PRODUCT SPEC		
APPLICATION SPEC	NAME SIL CONTACT	
WEIGHT	SIZE A300779	CAGE CODE C-1544118
CUSTOMER DRAWING	SCALE NTS	SHEET 1 OF 1 REV J