



Chipsmall Limited consists of a professional team with an average of over 10 year of expertise in the distribution of electronic components. Based in Hongkong, we have already established firm and mutual-benefit business relationships with customers from,Europe,America and south Asia,supplying obsolete and hard-to-find components to meet their specific needs.

With the principle of "Quality Parts,Customers Priority,Honest Operation,and Considerate Service",our business mainly focus on the distribution of electronic components. Line cards we deal with include Microchip,ALPS,ROHM,Xilinx,Pulse,ON,Everlight and Freescale. Main products comprise IC,Modules,Potentiometer,IC Socket,Relay,Connector.Our parts cover such applications as commercial,industrial, and automotives areas.

We are looking forward to setting up business relationship with you and hope to provide you with the best service and solution. Let us make a better world for our industry!



Contact us

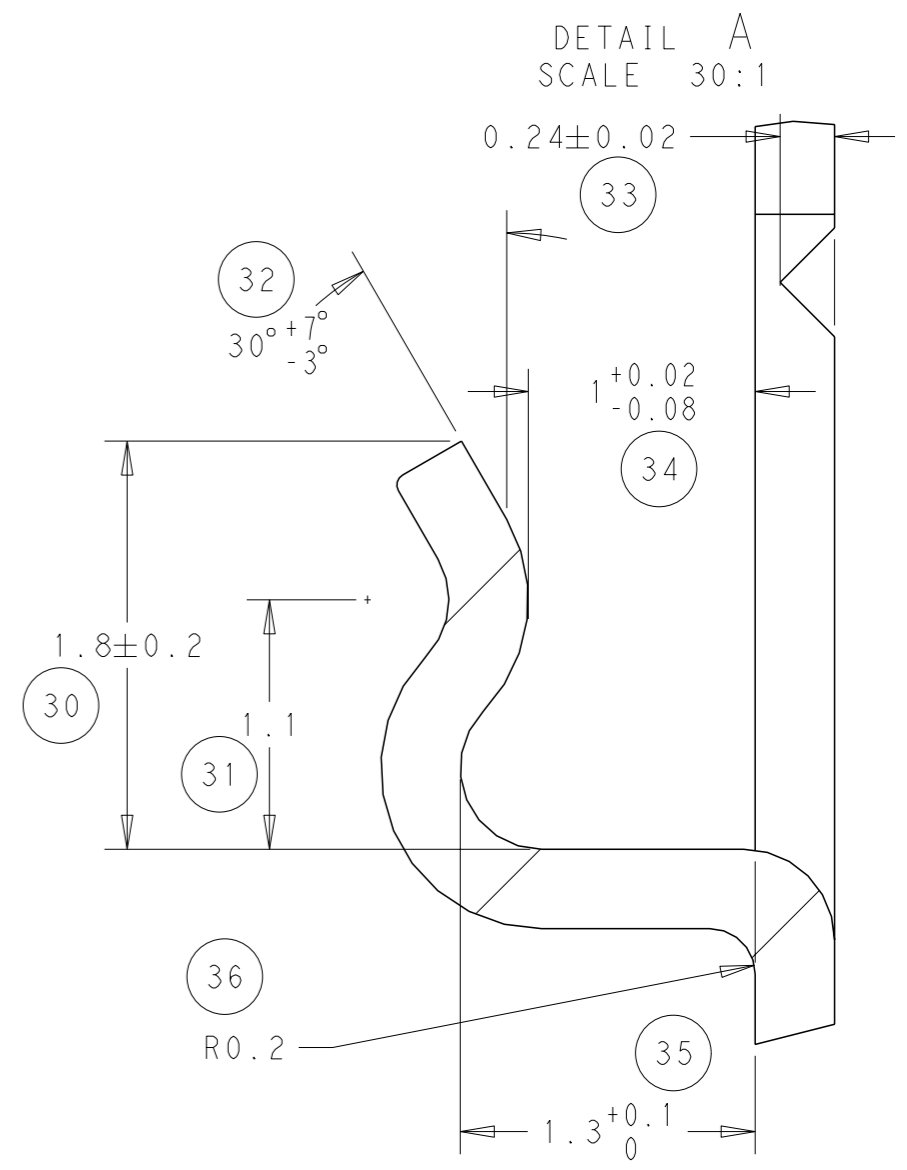
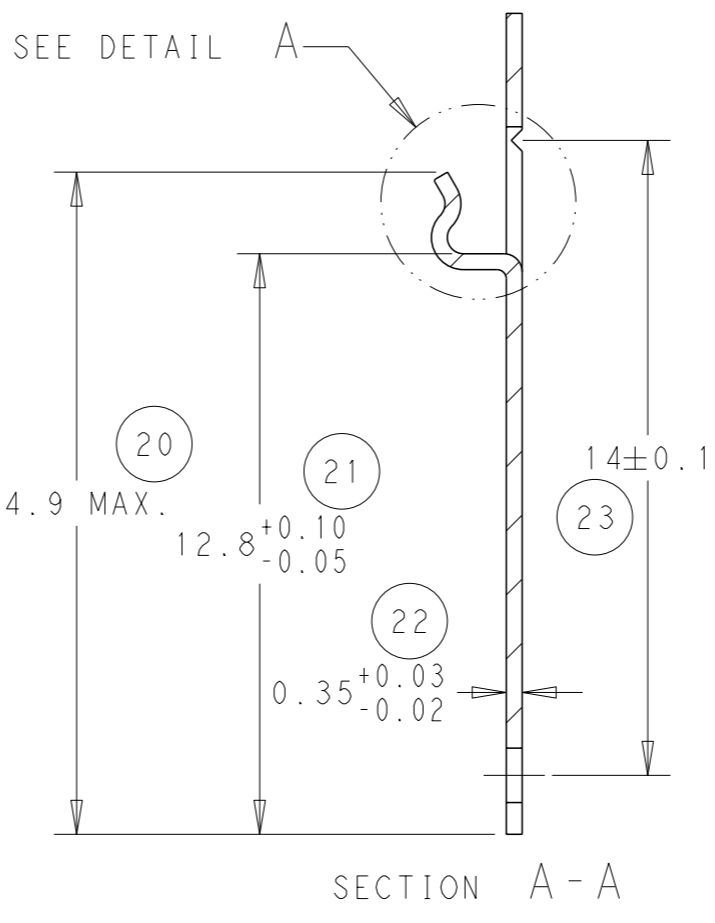
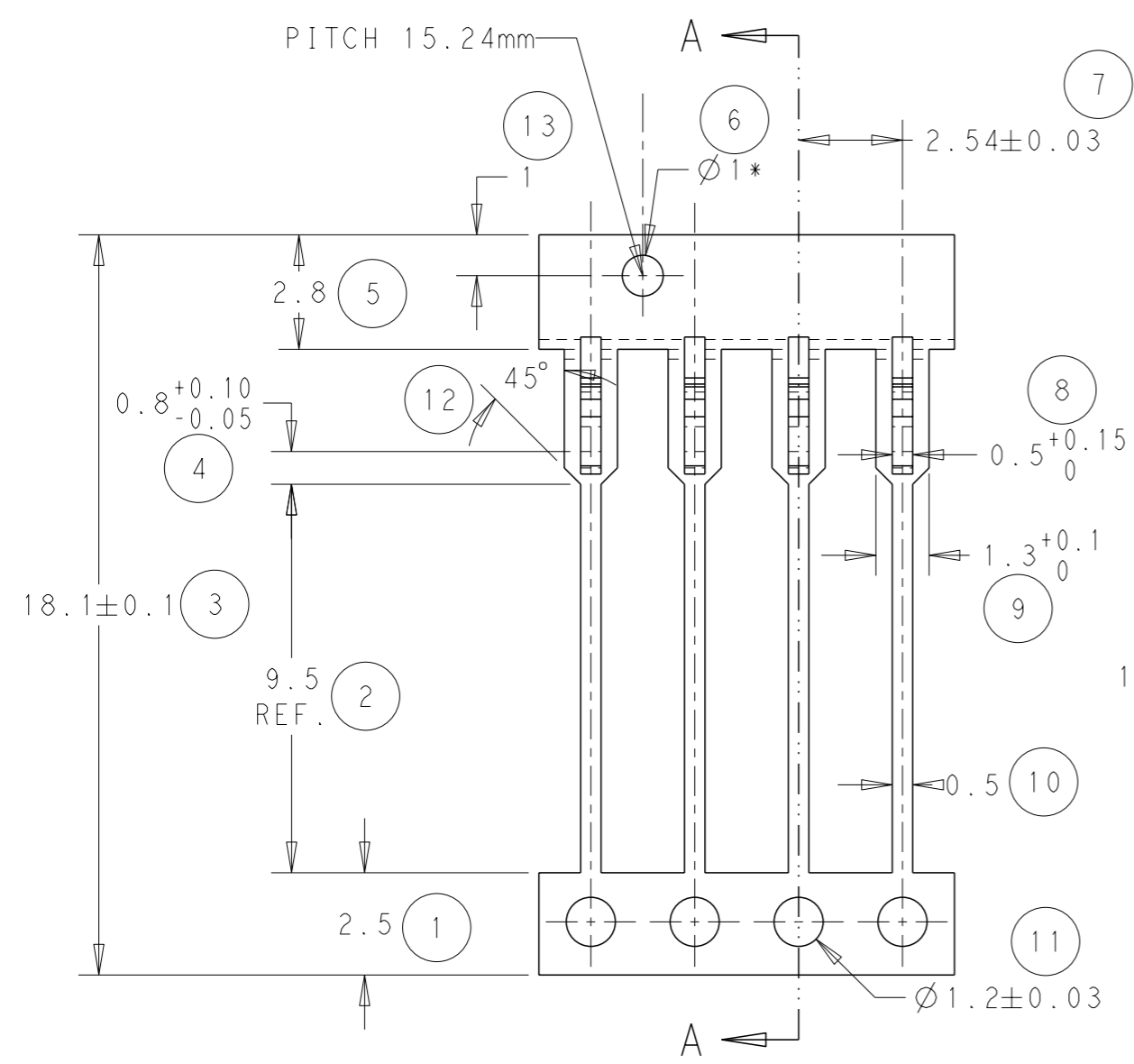
Tel: +86-755-8981 8866 Fax: +86-755-8427 6832

Email & Skype: info@chipsmall.com Web: www.chipsmall.com

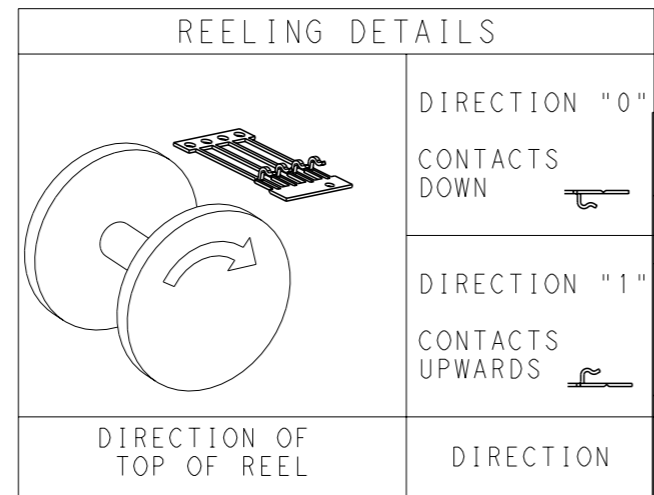
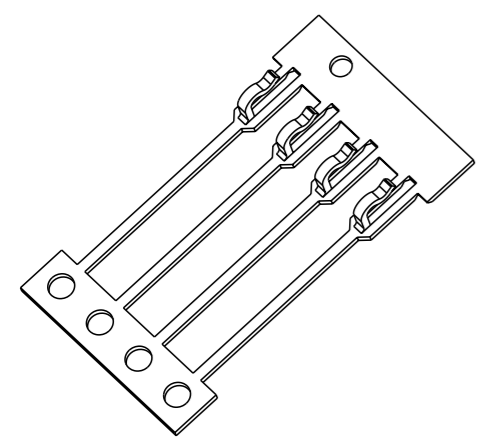
Address: A1208, Overseas Decoration Building, #122 Zhenhua RD., Futian, Shenzhen, China



LOC	DIST	REVISIONS				
P	LTR	DESCRIPTION	DATE	DWN	APVD	
B	-	H	ECR-11-014873	18/07/11	JB	MG
		J	ECR-11-015626	28/07/11	MG	JA
		K	ECR-11-024454	02/12/11	JB	MG



NOTE
 BOWING: AFTER UPPER TIE BAR REMOVAL - 1.5mm MAX. FOR 500mm
 PITCH: AFTER UPPER TIE BAR REMOVAL - 2.54±0.127
 * OPTIONAL PILOT HOLE.



THIS DRAWING IS A CONTROLLED DOCUMENT.

DIMENSIONS:	TOLERANCES UNLESS OTHERWISE SPECIFIED:
mm	
	0 PLC ±-
	1 PLC ±-
	2 PLC ±0.05
	3 PLC ±-
	4 PLC ±-
	ANGLES ±0.5
	FINISH -

MATERIAL SEE TABLE

0	Ph Bz	Ni & Sn	1544119-2
REELING	MATERIAL	FINISH	PART NUMBER
DWN J. BRIGHT 13/07/11		TE Connectivity NAME SIL CONTACT	
CHK M. GREENER 13/07/11			
APVD D. PENNINGTON 13/07/11			
PRODUCT SPEC			
APPLICATION SPEC		RESTRICTED TO	
WEIGHT		SIZE A3	CAGE CODE 00779
CUSTOMER DRAWING		DRAWING NO C-1544119	
SCALE NTS		SHEET 1 OF 1	REV K