



Chipsmall Limited consists of a professional team with an average of over 10 year of expertise in the distribution of electronic components. Based in Hongkong, we have already established firm and mutual-benefit business relationships with customers from,Europe,America and south Asia,supplying obsolete and hard-to-find components to meet their specific needs.

With the principle of “Quality Parts,Customers Priority,Honest Operation,and Considerate Service”,our business mainly focus on the distribution of electronic components. Line cards we deal with include Microchip,ALPS,ROHM,Xilinx,Pulse,ON,Everlight and Freescale. Main products comprise IC,Modules,Potentiometer,IC Socket,Relay,Connector.Our parts cover such applications as commercial,industrial, and automotives areas.

We are looking forward to setting up business relationship with you and hope to provide you with the best service and solution. Let us make a better world for our industry!



Contact us

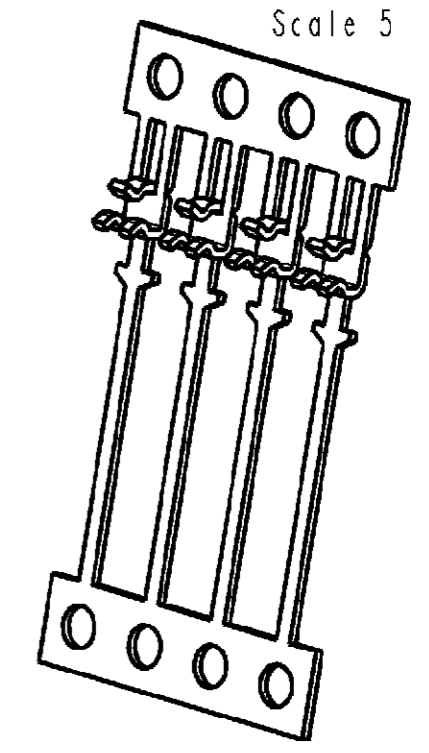
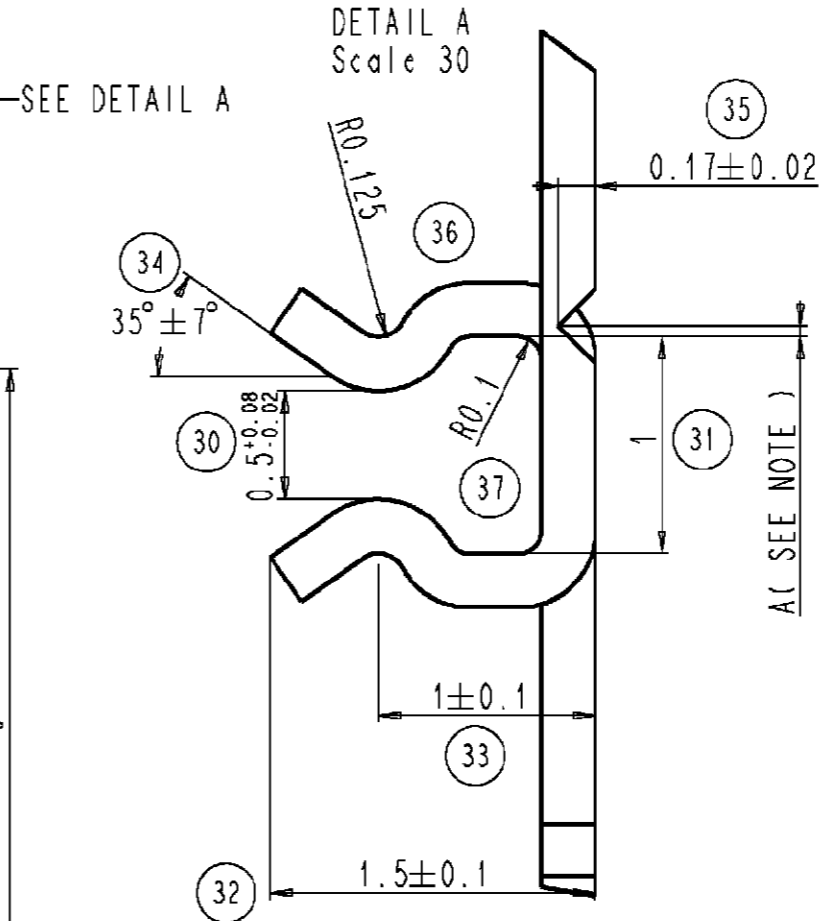
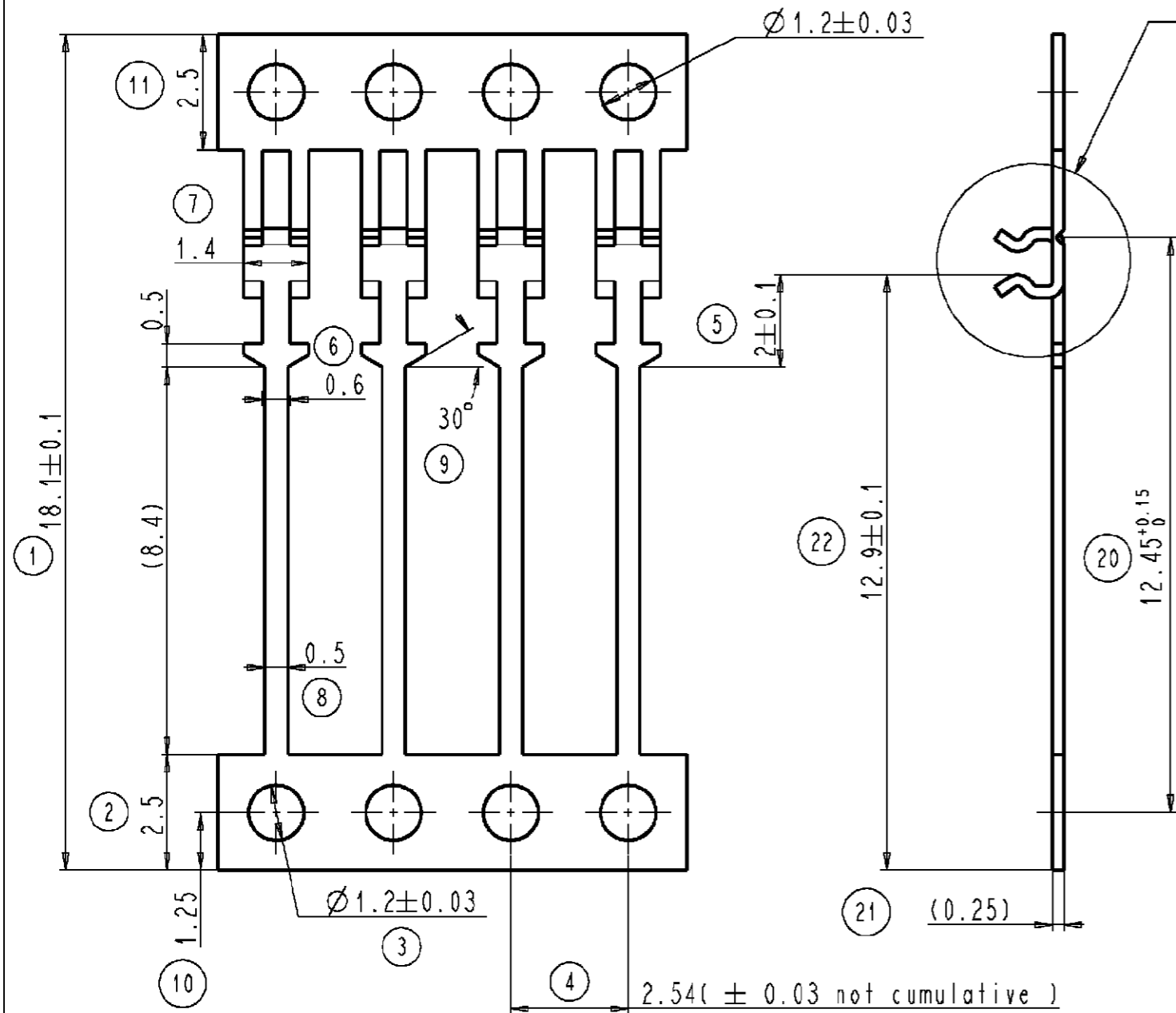
Tel: +86-755-8981 8866 Fax: +86-755-8427 6832

Email & Skype: info@chipsmall.com Web: www.chipsmall.com

Address: A1208, Overseas Decoration Building, #122 Zhenhua RD., Futian, Shenzhen, China



ECHELLE 8.000



PRONER COMATEL P/N	TYCO ELECTRONICS P/N
519 1060 142 111	0-1544146-1
519 1060 144 111	0-1544146-2
519 1060 242 111	0-1544146-3
519 1060 244 111	0-1544146-4

Note : A= Breaking notch shall be outside the clip

Part number	PLATING
519 3955 X04 111	Bare
519 1060 X42 111	Sn: 112-16-4 3a 7 μ
519 1060 X44 111	Etamage: Ni: 112-25-3 1,27 à 3 μ Sn: 112-65-1 4 μ mini

	Phosphorous bronze		
see table	SM 105	/	35000 / bobine
Reference/designation	Material	/	Protection
Sub Assy.:			
Assembly :/	POUR DIFFUSION		

Lead frame DIL

PRONER COMATEL
 DEPARTEMENT TECHNIQUE
 38530 CHAPAREILLAN
 Tél: 04 76 45 34 34 Fax: 04 76 45 28 21

Scale: 10/1	Mass: /
Lin. Tol.: ± 0.05	Ang. Tol.: ± 7°
Size A3	

4460 D 001

ER00-0283-04		SRd	8/6/04	B
MAJ pour maintenance outil, annule et remp. dwg 1060 G3	/	JD†	11/07/01	A1
Description of Modification	No. Modif.	Drawn by	Date	Checked by

Reproduction and diffusion forbidden without Proner Comatel agreement