



Chipsmall Limited consists of a professional team with an average of over 10 year of expertise in the distribution of electronic components. Based in Hongkong, we have already established firm and mutual-benefit business relationships with customers from,Europe,America and south Asia,supplying obsolete and hard-to-find components to meet their specific needs.

With the principle of “Quality Parts,Customers Priority,Honest Operation,and Considerate Service”,our business mainly focus on the distribution of electronic components. Line cards we deal with include Microchip,ALPS,ROHM,Xilinx,Pulse,ON,Everlight and Freescale. Main products comprise IC,Modules,Potentiometer,IC Socket,Relay,Connector.Our parts cover such applications as commercial,industrial, and automotives areas.

We are looking forward to setting up business relationship with you and hope to provide you with the best service and solution. Let us make a better world for our industry!



Contact us

Tel: +86-755-8981 8866 Fax: +86-755-8427 6832

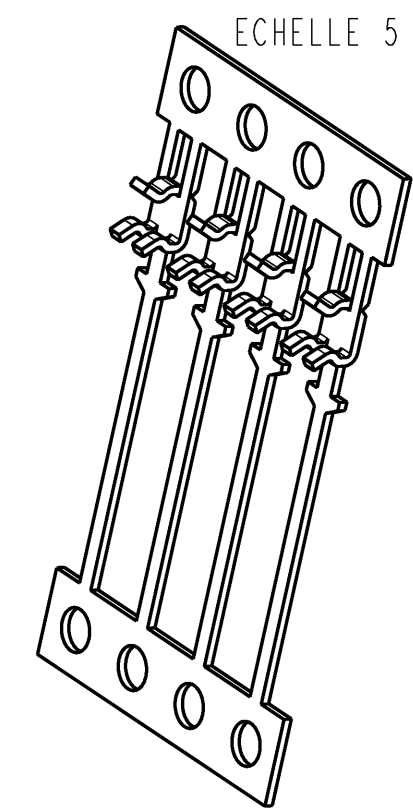
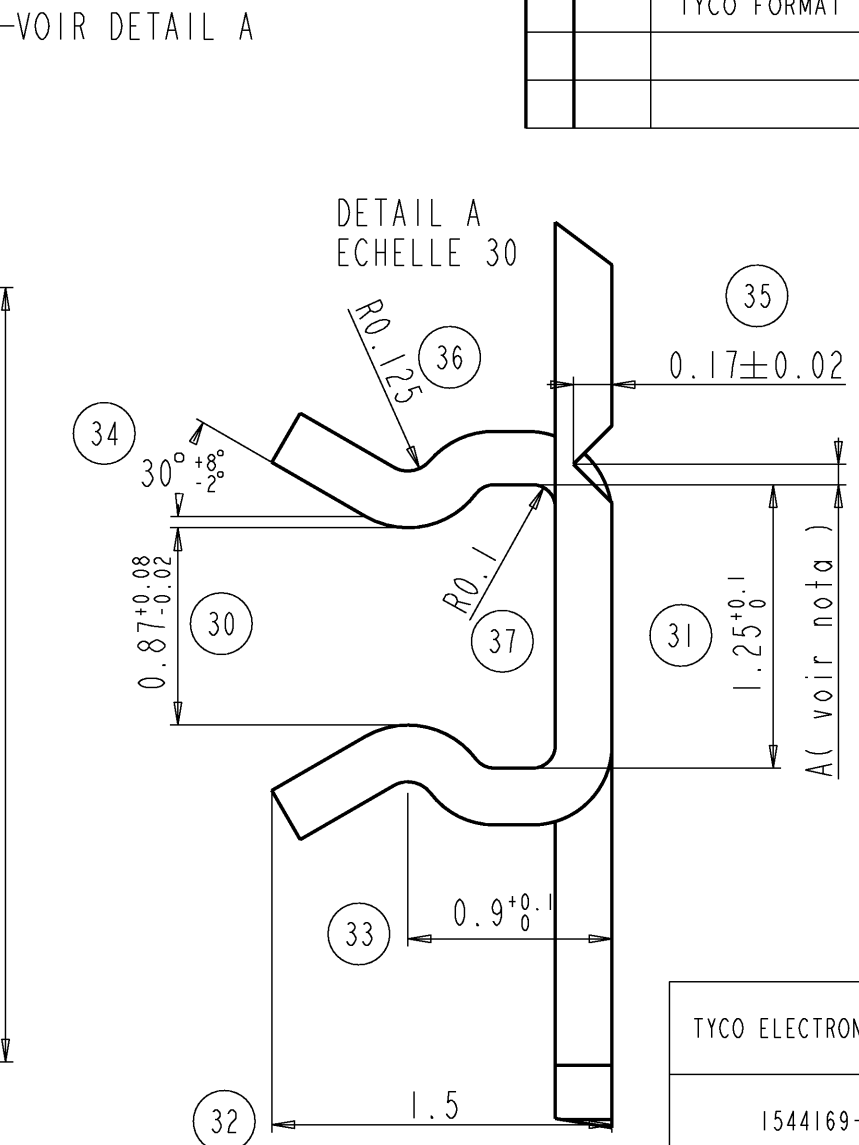
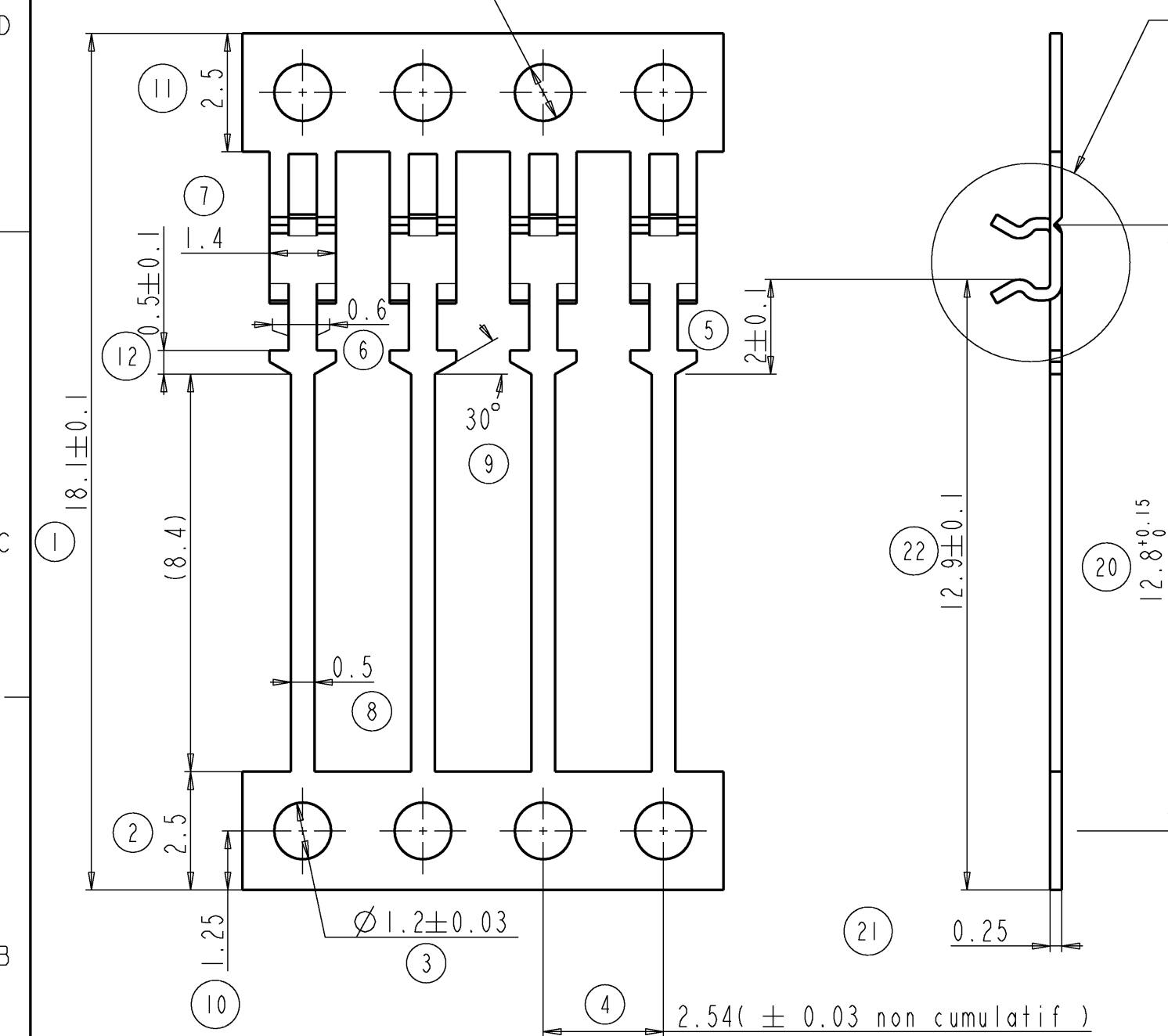
Email & Skype: info@chipsmall.com Web: www.chipsmall.com

Address: A1208, Overseas Decoration Building, #122 Zhenhua RD., Futian, Shenzhen, China



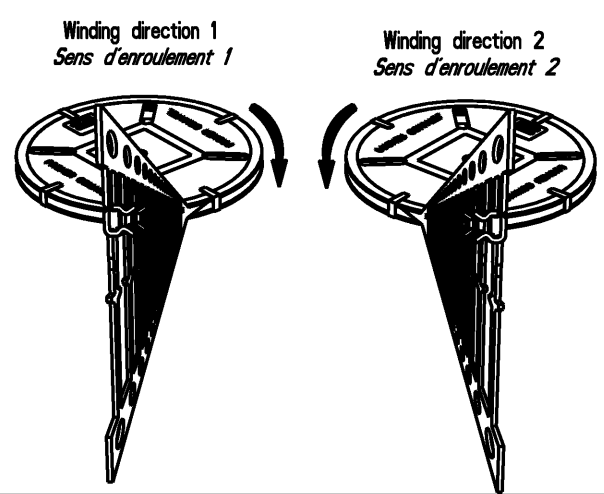
THIS DRAWING IS UNPUBLISHED. RELEASED FOR PUBLICATION 2008
 © COPYRIGHT 2008 BY TYCO ELECTRONICS CORPORATION. ALL RIGHTS RESERVED.

LOC	DIST	REVISIONS			
P	LTR	DESCRIPTION	DATE	DWN	APVD
F	00				
		F DRAFTING DETAIL UPDATE	02DEC2008	LCi	JDr
		TYCO FORMAT COMPLIANCE			



TYCO ELECTRONICS PN	PLATING	WINDING DIRECTION
1544169-1	BEFORE STAMPING Sn : 112-16-4 (3 à 7µ)	1
1544169-2	AFTER STAMPING Ni : 112-25-3 (1.27 à 3µ) Sn : 112-65-1 (3 à 5 µ)	1
1544169-3	BEFORE STAMPING Sn : 112-16-4 (3 à 7µ)	2
1544169-4	AFTER STAMPING Ni : 112-25-3 (1.27 à 3µ) Sn : 112-65-1 (3 à 5 µ)	2

Nota : A, dans tous les cas, l'axe de l'amorce de casse doit être extérieur au fond de pince
 - Volume par contact : 5.32 mm³



<small>THIS DRAWING IS A CONTROLLED DOCUMENT FOR TYCO ELECTRONICS CORPORATION IT IS SUBJECT TO CHANGE AND THE CONTROLLING ENGINEERING ORGANIZATION SHOULD BE CONTACTED FOR THE LATEST REVISION.</small>		DWN L. CORONELLI 02DEC2008 CHK P. FLORES 02DEC2008 APVD J. DAHER 02DEC2008		Tyco Electronics France SAS RN 90, 38530 Chapareillan																		
DIMENSIONS: mm 		TOLERANCES UNLESS OTHERWISE SPECIFIED: <table border="1"> <tr><td>PLC</td><td>±</td></tr> <tr><td>PVC</td><td>±</td></tr> <tr><td>PLC</td><td>±0.05</td></tr> <tr><td>PVC</td><td>±</td></tr> <tr><td>PLC</td><td>±</td></tr> <tr><td>PVC</td><td>±</td></tr> <tr><td>ANGLES</td><td>±3°</td></tr> <tr><td>FINISH</td><td>-</td></tr> </table>		PLC	±	PVC	±	PLC	±0.05	PVC	±	PLC	±	PVC	±	ANGLES	±3°	FINISH	-	NAME CONTACT A SOUDER DIL		RESTRICTED TO
PLC	±																					
PVC	±																					
PLC	±0.05																					
PVC	±																					
PLC	±																					
PVC	±																					
ANGLES	±3°																					
FINISH	-																					
MATERIAL CuSn6P		PRODUCT SPEC - APPLICATION SPEC - WEIGHT -		SIZE A3 CAGE CODE 00779 DRAWING NO C-1544169	REV F																	
CUSTOMER DRAWING				SCALE 4.000	SHEET 1 OF 1																	