



Chipsmall Limited consists of a professional team with an average of over 10 year of expertise in the distribution of electronic components. Based in Hongkong, we have already established firm and mutual-benefit business relationships with customers from,Europe,America and south Asia,supplying obsolete and hard-to-find components to meet their specific needs.

With the principle of “Quality Parts,Customers Priority,Honest Operation,and Considerate Service”,our business mainly focus on the distribution of electronic components. Line cards we deal with include Microchip,ALPS,ROHM,Xilinx,Pulse,ON,Everlight and Freescale. Main products comprise IC,Modules,Potentiometer,IC Socket,Relay,Connector.Our parts cover such applications as commercial,industrial, and automotives areas.

We are looking forward to setting up business relationship with you and hope to provide you with the best service and solution. Let us make a better world for our industry!



Contact us

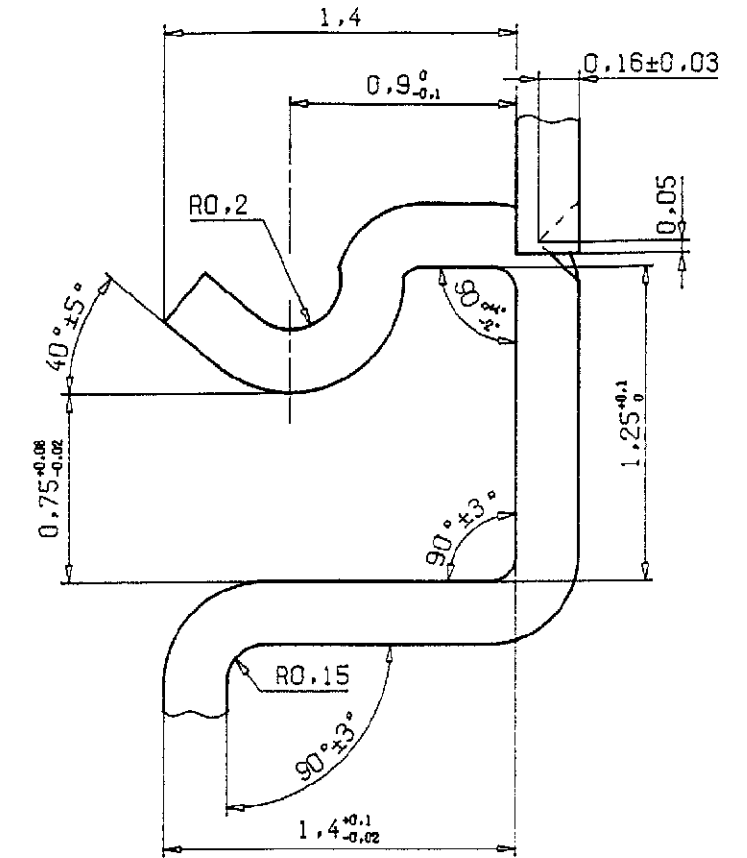
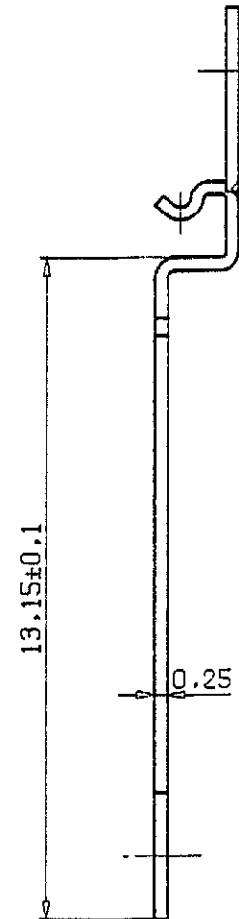
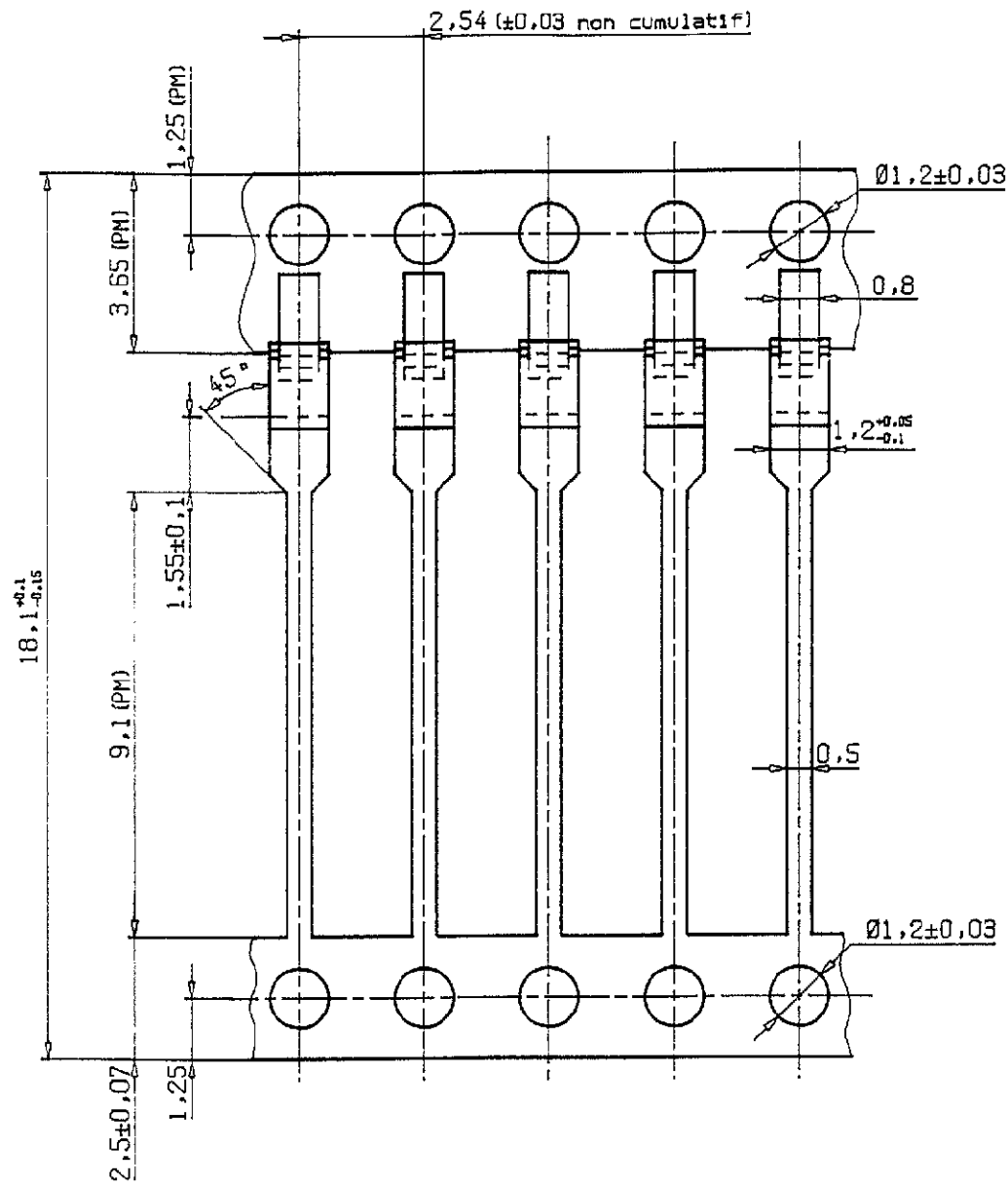
Tel: +86-755-8981 8866 Fax: +86-755-8427 6832

Email & Skype: info@chipsmall.com Web: www.chipsmall.com

Address: A1208, Overseas Decoration Building, #122 Zhenhua RD., Futian, Shenzhen, China



DETAIL PINCE Ech:50



NOTA :

- Rayons interieurs pince : R=0.1mm

PRONER COMATEL P/N	Tyco Electronics P/N
5101505144111	0-1544172-1
5101505242111	0-1544172-2

REF	PROTECTION
04	Brut
42	Sn: 112-16-4 3 à 7 µ
44	Etamage: Ni: 112-25-3 1,27 à 3 µ Sn: 112-65-1 4 µ mini

510 1505 XXX 111	Cu Sn 6 P	Voir tableau	33000/bobine
	Svt Specif. : SM 105		
Reference	Matiere	Protection	Conditionnement
OUTIL N°	0307	Norme	
Ensemble		Echelle : 10	

CONTACT A SOUDER DIL

F Dessine le 19-01-95
Par G. PASQUINI

PRONER COMATEL
DIVISION COMATEL

Etudes Qualite
Tol. : 0,05
Ang : 3°

B.P. 31 93161 NOISY LE GRAND
(1) 45 92 79 40

Devis
1505
Planche / 2

Reproduction et diffusion interdites sans autorisation

ER00-0283-04
MISE A JOUR PLAN POUR ISO9002

Nature de la Modification

N° Avis Modif. Etude Qualite Dessine Date Ind.