



Chipsmall Limited consists of a professional team with an average of over 10 year of expertise in the distribution of electronic components. Based in Hongkong, we have already established firm and mutual-benefit business relationships with customers from,Europe,America and south Asia,supplying obsolete and hard-to-find components to meet their specific needs.

With the principle of “Quality Parts,Customers Priority,Honest Operation,and Considerate Service”,our business mainly focus on the distribution of electronic components. Line cards we deal with include Microchip,ALPS,ROHM,Xilinx,Pulse,ON,Everlight and Freescale. Main products comprise IC,Modules,Potentiometer,IC Socket,Relay,Connector.Our parts cover such applications as commercial,industrial, and automotives areas.

We are looking forward to setting up business relationship with you and hope to provide you with the best service and solution. Let us make a better world for our industry!



## Contact us

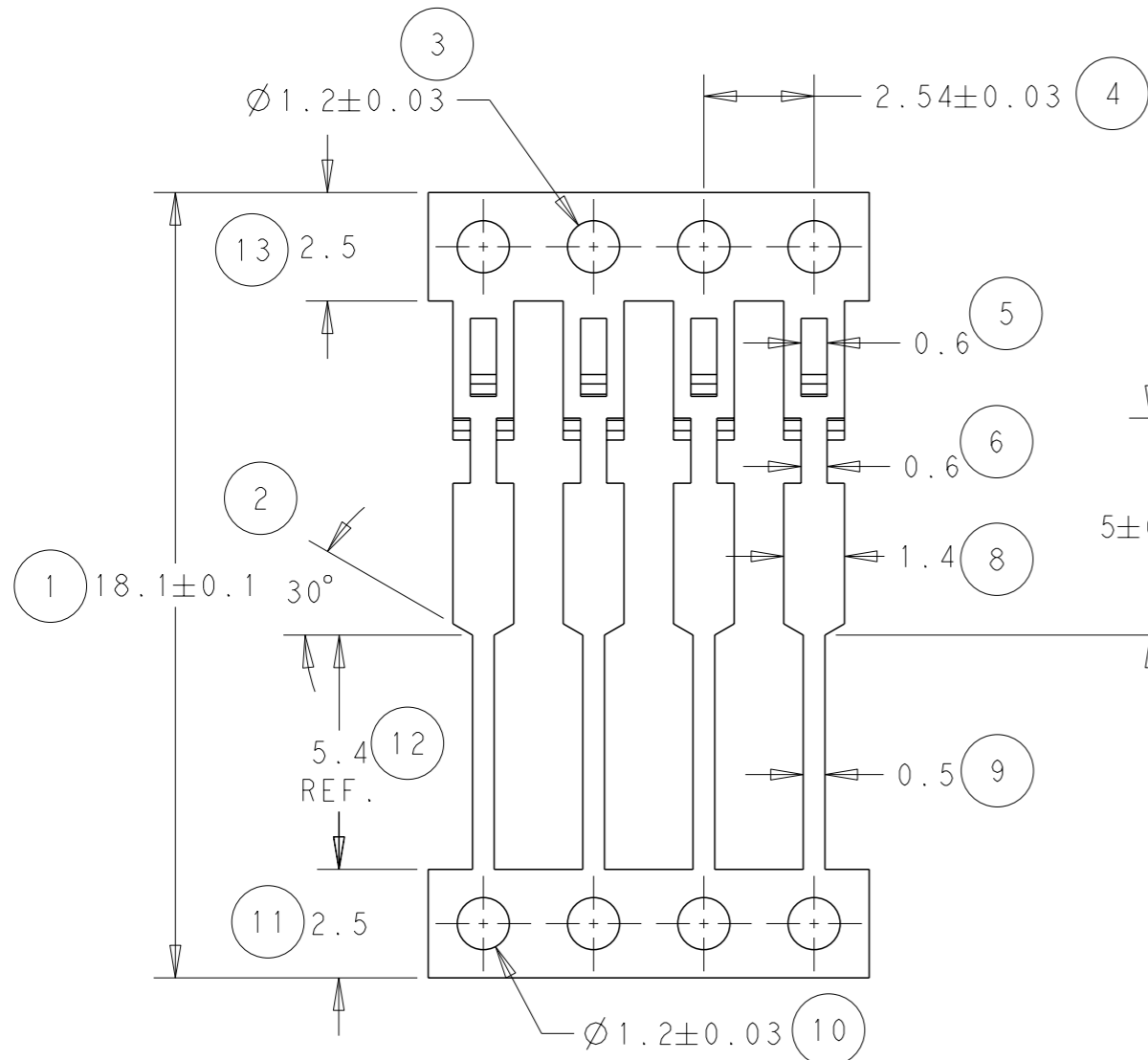
Tel: +86-755-8981 8866 Fax: +86-755-8427 6832

Email & Skype: info@chipsmall.com Web: www.chipsmall.com

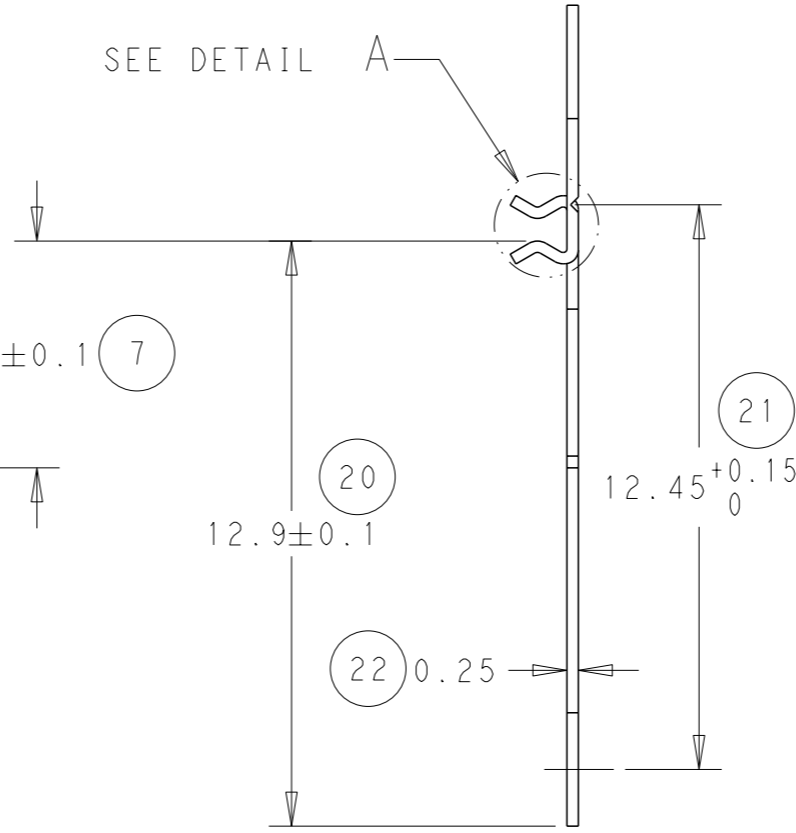
Address: A1208, Overseas Decoration Building, #122 Zhenhua RD., Futian, Shenzhen, China



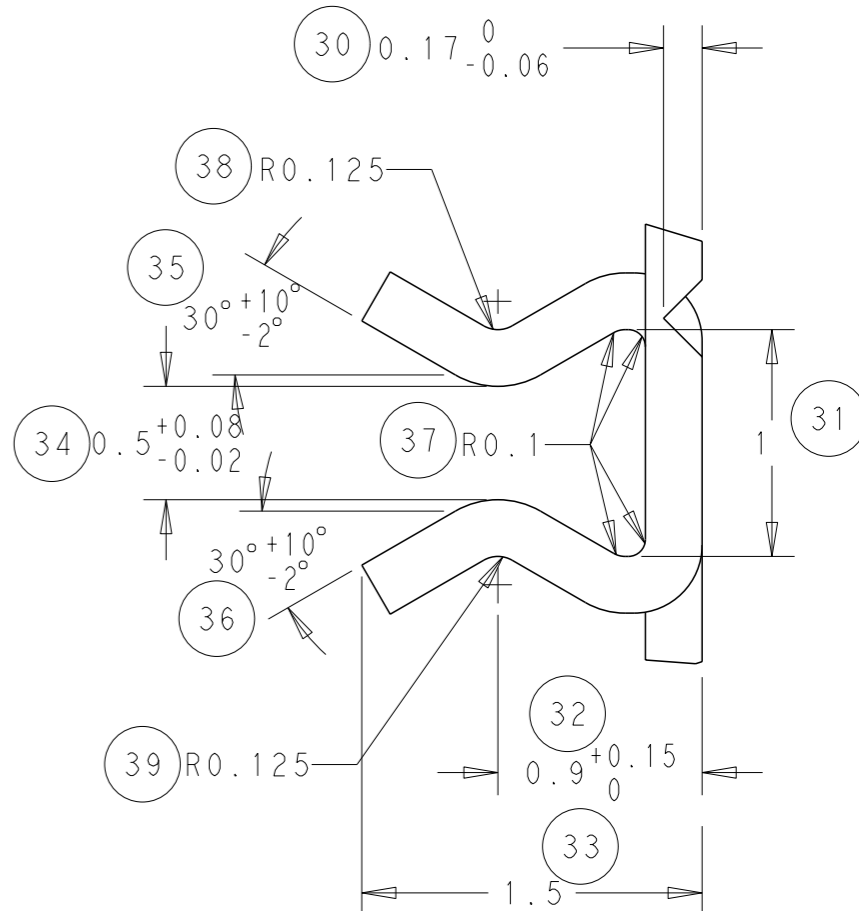
LOC	DIST	REVISIONS					
		P	LTR	DESCRIPTION	DATE	DWN	APVD
B	-		D	ECR-11-018847	13/09/11	JB	MG
			E	ECR-11-023742	22/11/11	JB	MG



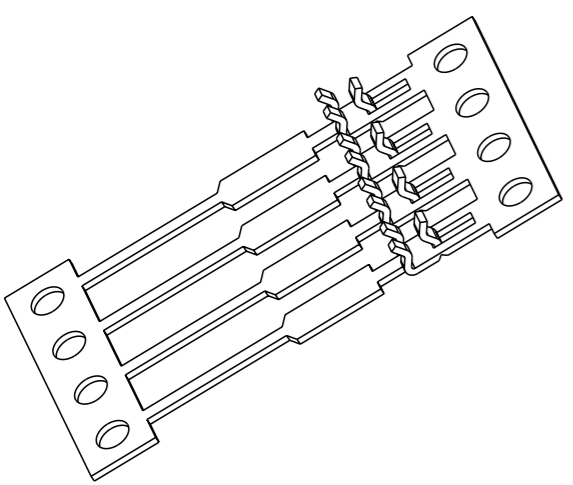
SEE DETAIL A



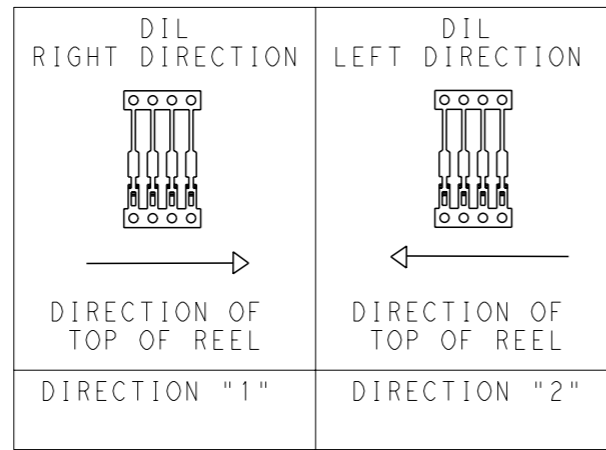
DETAIL A SCALE 30:1



NOTE  
 BOWING: AFTER UPPERTIE BAR REMOVAL -1.5mm MAX. FOR 500mm  
 PITCH: AFTER UPPER TIE BAR REMOVAL - $2.54 \pm 0.127$   
 INTERIOR RADS 0.1mm TYPICAL



SCALE 4:1



THIS DRAWING IS A CONTROLLED DOCUMENT.

DIMENSIONS:	TOLERANCES UNLESS OTHERWISE SPECIFIED:
mm	0 PLC $\pm$
	1 PLC $\pm$
	2 PLC $\pm 0.05$
	3 PLC $\pm$
	4 PLC $\pm$
	ANGLES $\pm 0.5$
MATERIAL	FINISH
AISI 01	-

DWN	J. BRIGHT	19/08/11
CHK	M. GREENER	19/08/11
APVD	D. PENNINGTON	19/08/11
PRODUCT SPEC	-	-
APPLICATION SPEC	-	-
WEIGHT	-	-

2	Ni & Sn	0-1544187-2
1	Ni & Sn	0-1544187-1
REELING	FINISH	PART NUMBER

TE Connectivity			
NAME			
DIL CONTACT			
SIZE	CAGE CODE	DRAWING NO	RESTRICTED TO
A3	00779	C-1544187	-
CUSTOMER DRAWING		SCALE	SHEET 1 OF 1
		NTS	REV E