



Chipsmall Limited consists of a professional team with an average of over 10 year of expertise in the distribution of electronic components. Based in Hongkong, we have already established firm and mutual-benefit business relationships with customers from,Europe,America and south Asia,supplying obsolete and hard-to-find components to meet their specific needs.

With the principle of “Quality Parts,Customers Priority,Honest Operation,and Considerate Service”,our business mainly focus on the distribution of electronic components. Line cards we deal with include Microchip,ALPS,ROHM,Xilinx,Pulse,ON,Everlight and Freescale. Main products comprise IC,Modules,Potentiometer,IC Socket,Relay,Connector.Our parts cover such applications as commercial,industrial, and automotives areas.

We are looking forward to setting up business relationship with you and hope to provide you with the best service and solution. Let us make a better world for our industry!



Contact us

Tel: +86-755-8981 8866 Fax: +86-755-8427 6832

Email & Skype: info@chipsmall.com Web: www.chipsmall.com

Address: A1208, Overseas Decoration Building, #122 Zhenhua RD., Futian, Shenzhen, China



4

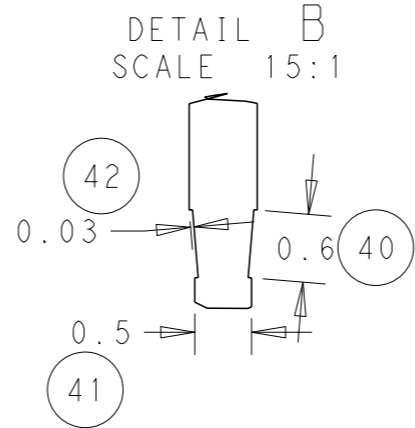
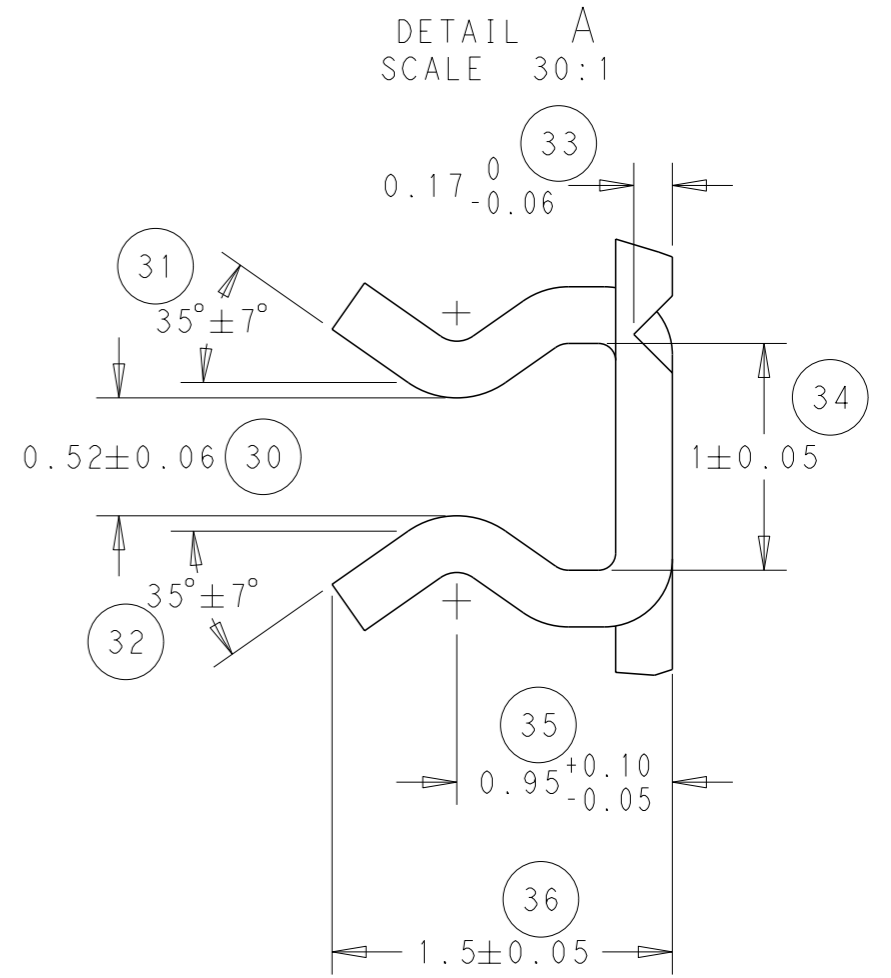
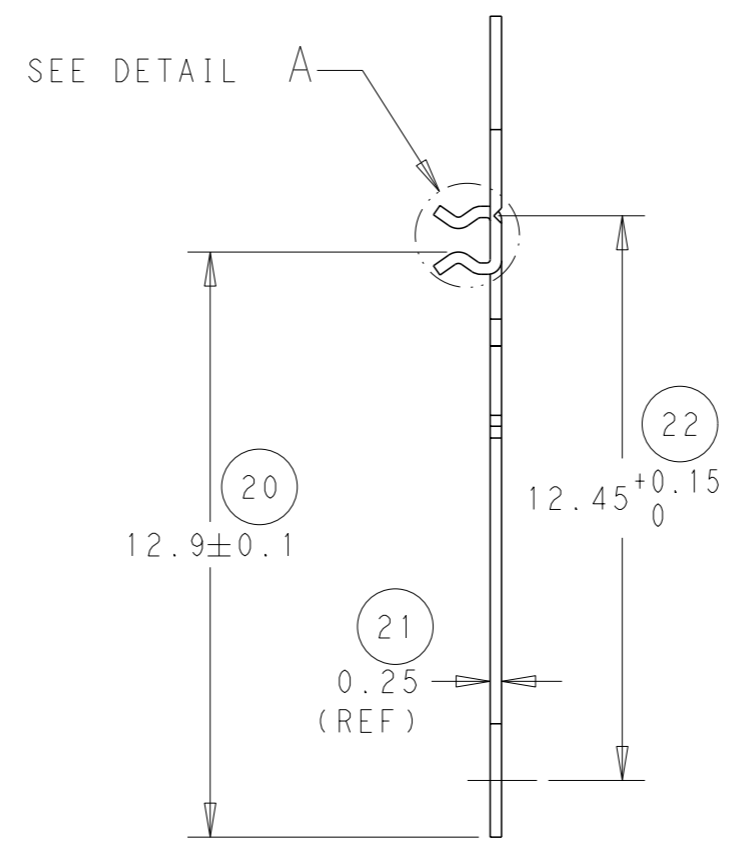
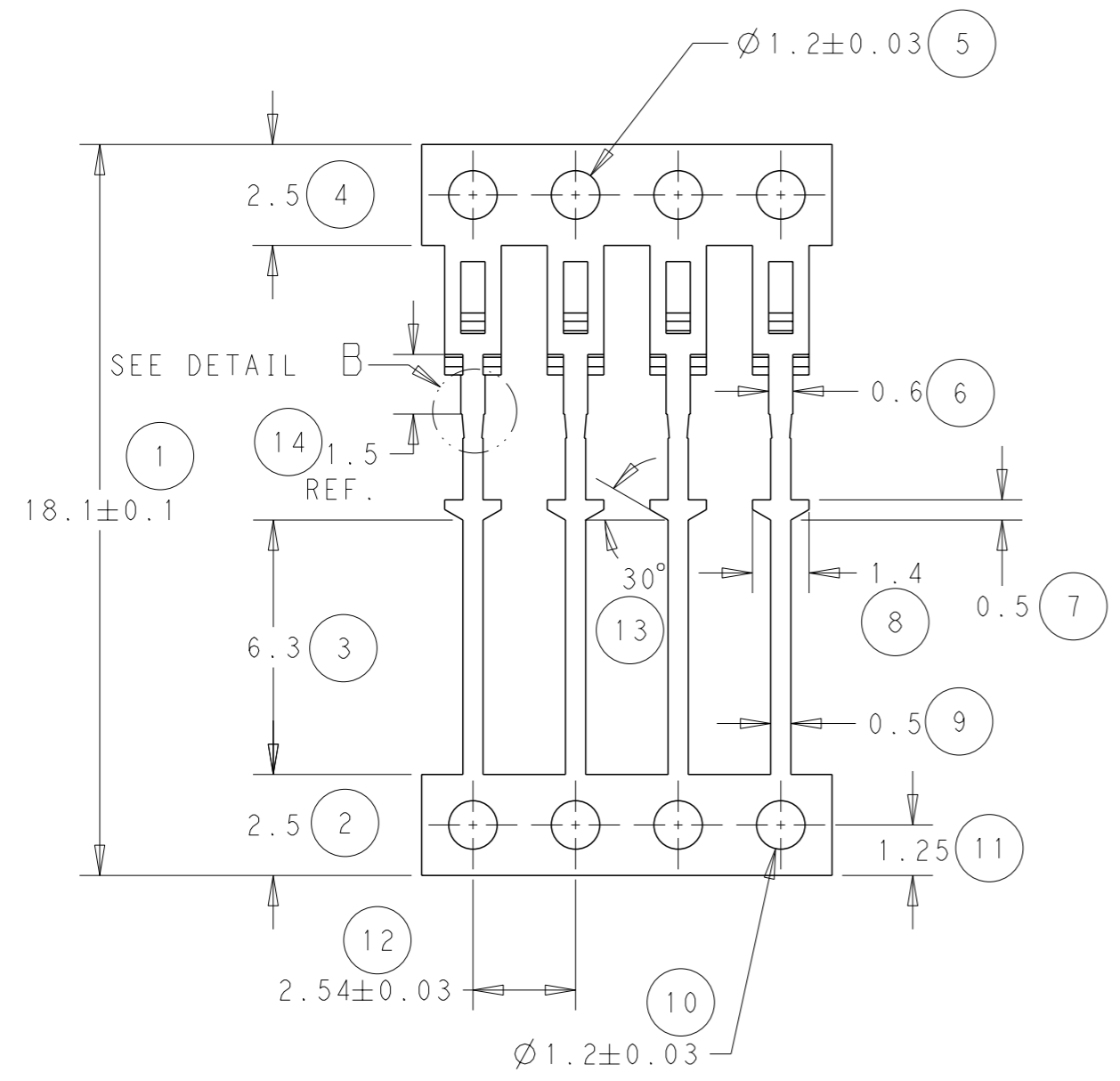
3

2

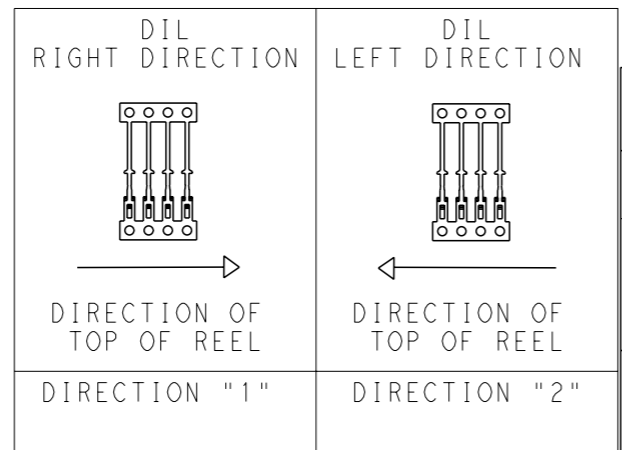
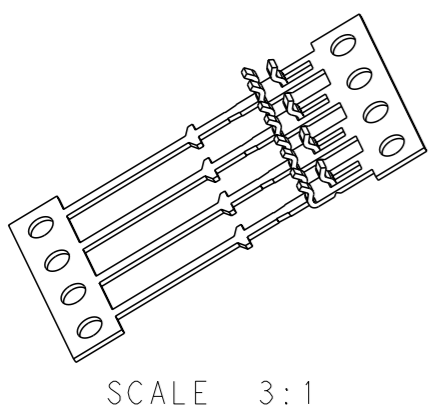
1

THIS DRAWING IS UNPUBLISHED. RELEASED FOR PUBLICATION 2011
 © COPYRIGHT 2011 ALL RIGHTS RESERVED.

LOC	DIST	REVISIONS				
P	LTR	DESCRIPTION	DATE	DWN	APVD	
AI	-	E	ECR-11-02470	07DEC2011	JB	MG



NOTE
 BOWING: AFTER UPPER TIE BAR REMOVAL-1.5mm MAX. FOR 500mm
 PITCH: AFTER UPPER TIE BAR REMOVAL-2.54±0.127
 INTERIOR RADS 0.1mm TYPICAL



THIS DRAWING IS A CONTROLLED DOCUMENT.

DIMENSIONS:	TOLERANCES UNLESS OTHERWISE SPECIFIED:
mm	0 PLC ±-
	1 PLC ±-
	2 PLC ±0.05
	3 PLC ±-
	4 PLC ±-
	ANGLES ±1°
MATERIAL	FINISH
-	-

DWN	07/12/2011
J. BRIGHT	
CHK	07/12/2011
M. GREENER	
APVD	-
PRODUCT SPEC	-
APPLICATION SPEC	-
WEIGHT	-

Ni: 112-25-3 (1.27-3 MICRONS)		1544200-2	
Sn: 112-65-1 (MIN 4 MICRONS)		1544200-3	
Sn: 112-16-4 (3-7 MICRONS)		1544200-1	
REELING	FINISH	PART NUMBER	
STE TE Connectivity			
DIL LEADFRAME			
SIZE	CAGE CODE	DRAWING NO	RESTRICTED TO
A3	00779	C-1544200	-
CUSTOMER DRAWING		SCALE 6:1	SHEET 1 OF 1 REV E