



Chipsmall Limited consists of a professional team with an average of over 10 year of expertise in the distribution of electronic components. Based in Hongkong, we have already established firm and mutual-benefit business relationships with customers from,Europe,America and south Asia,supplying obsolete and hard-to-find components to meet their specific needs.

With the principle of “Quality Parts,Customers Priority,Honest Operation,and Considerate Service”,our business mainly focus on the distribution of electronic components. Line cards we deal with include Microchip,ALPS,ROHM,Xilinx,Pulse,ON,Everlight and Freescale. Main products comprise IC,Modules,Potentiometer,IC Socket,Relay,Connector.Our parts cover such applications as commercial,industrial, and automotives areas.

We are looking forward to setting up business relationship with you and hope to provide you with the best service and solution. Let us make a better world for our industry!



## Contact us

Tel: +86-755-8981 8866 Fax: +86-755-8427 6832

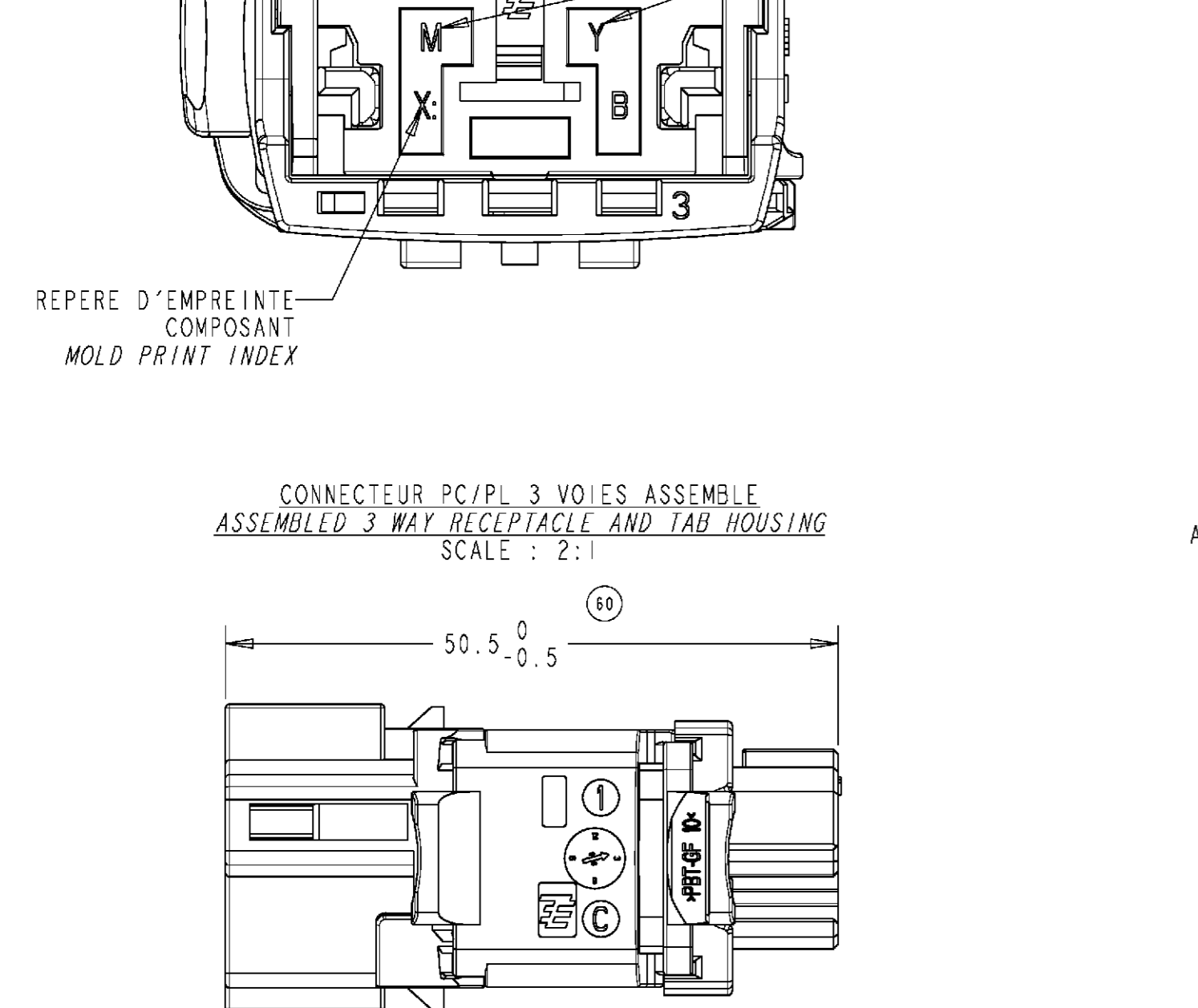
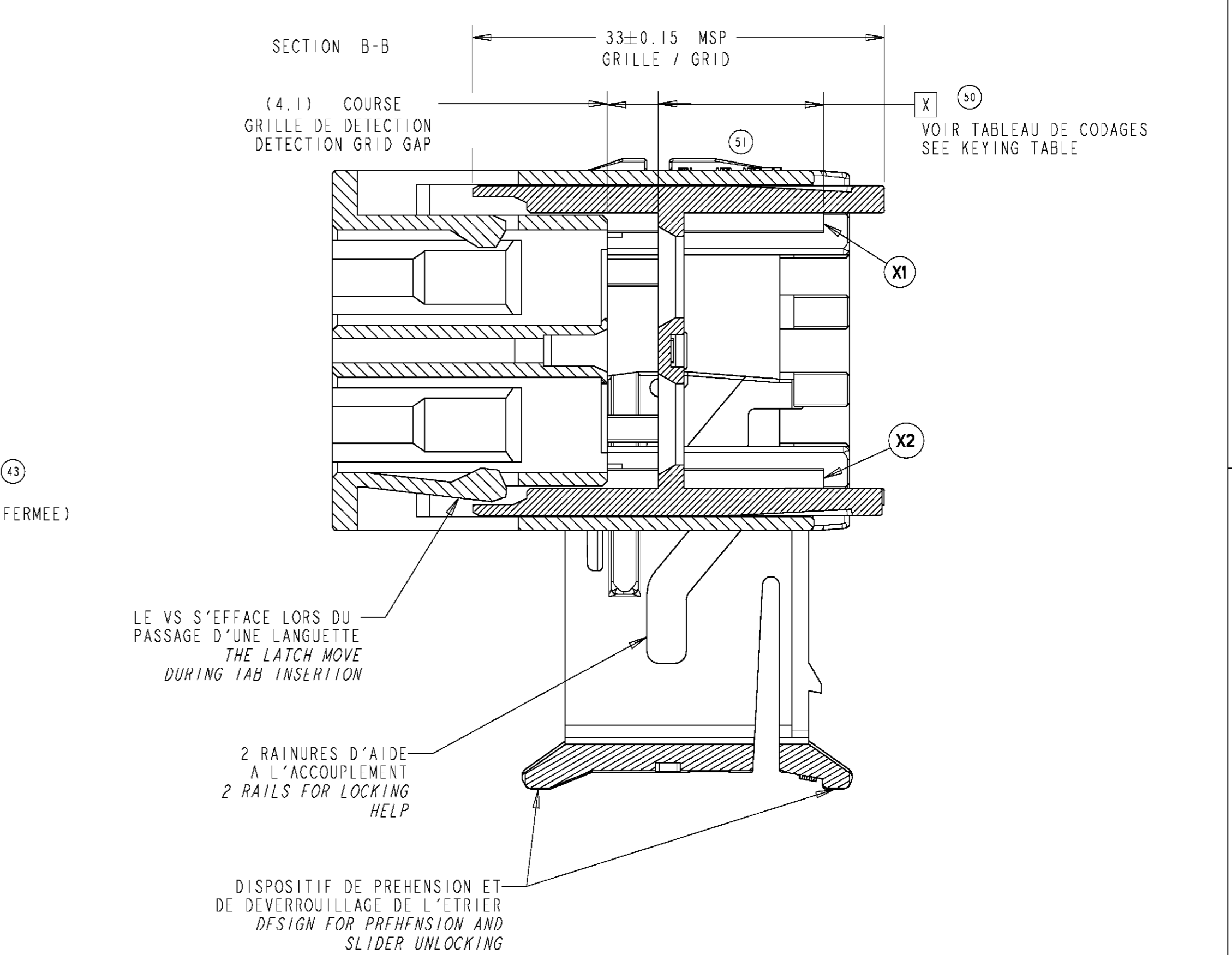
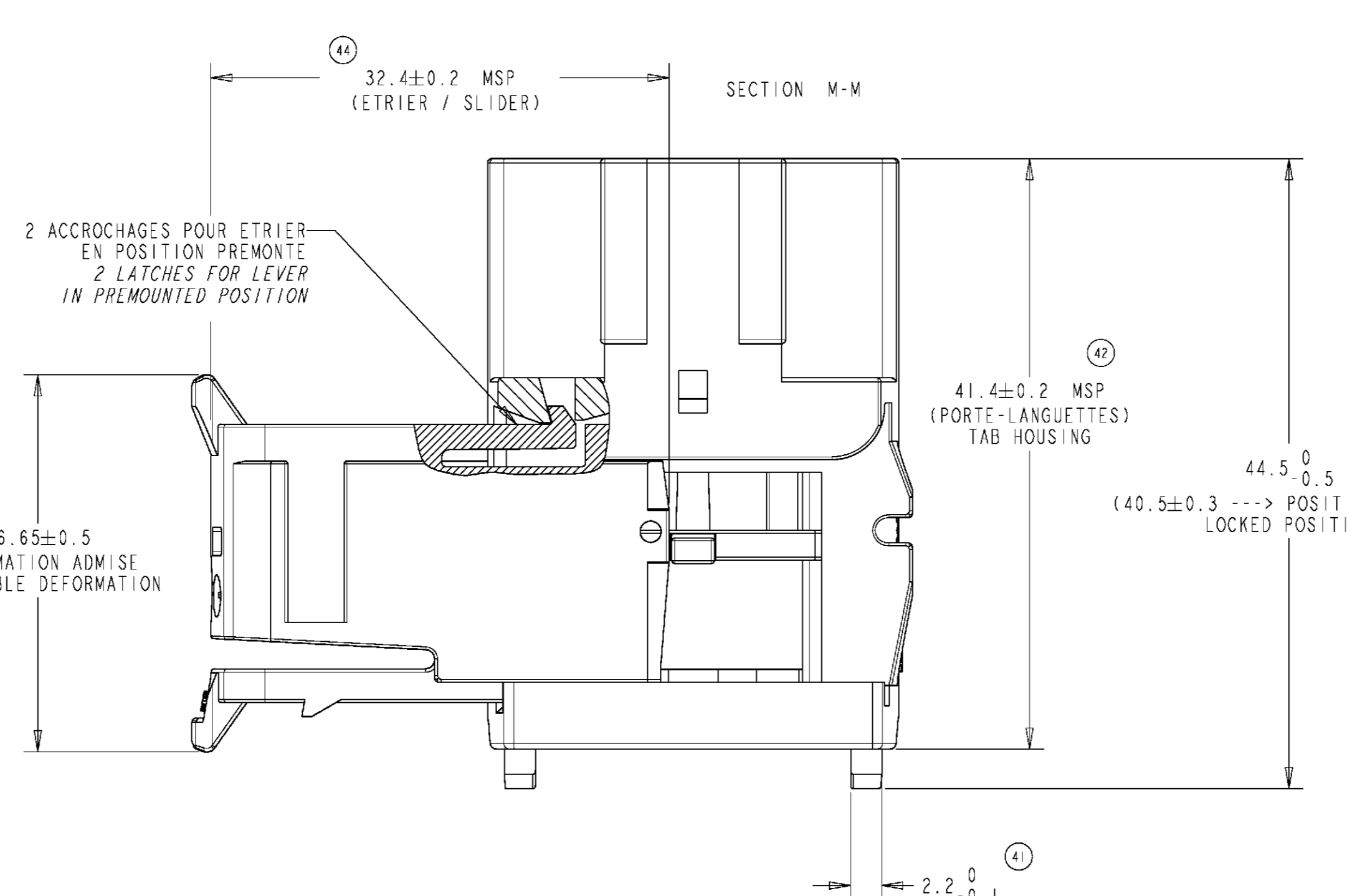
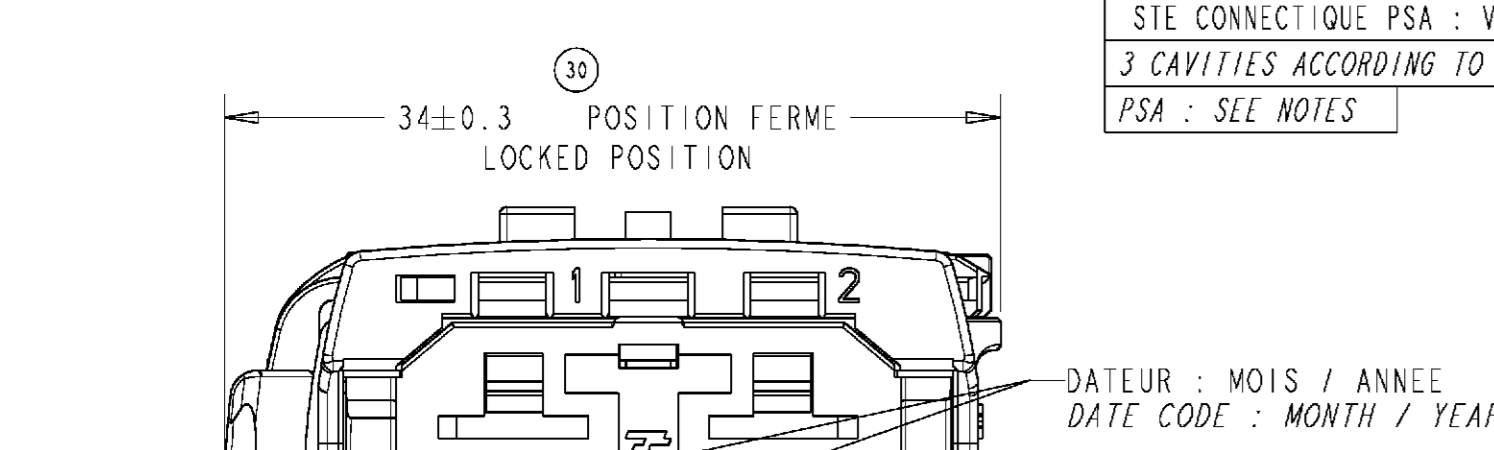
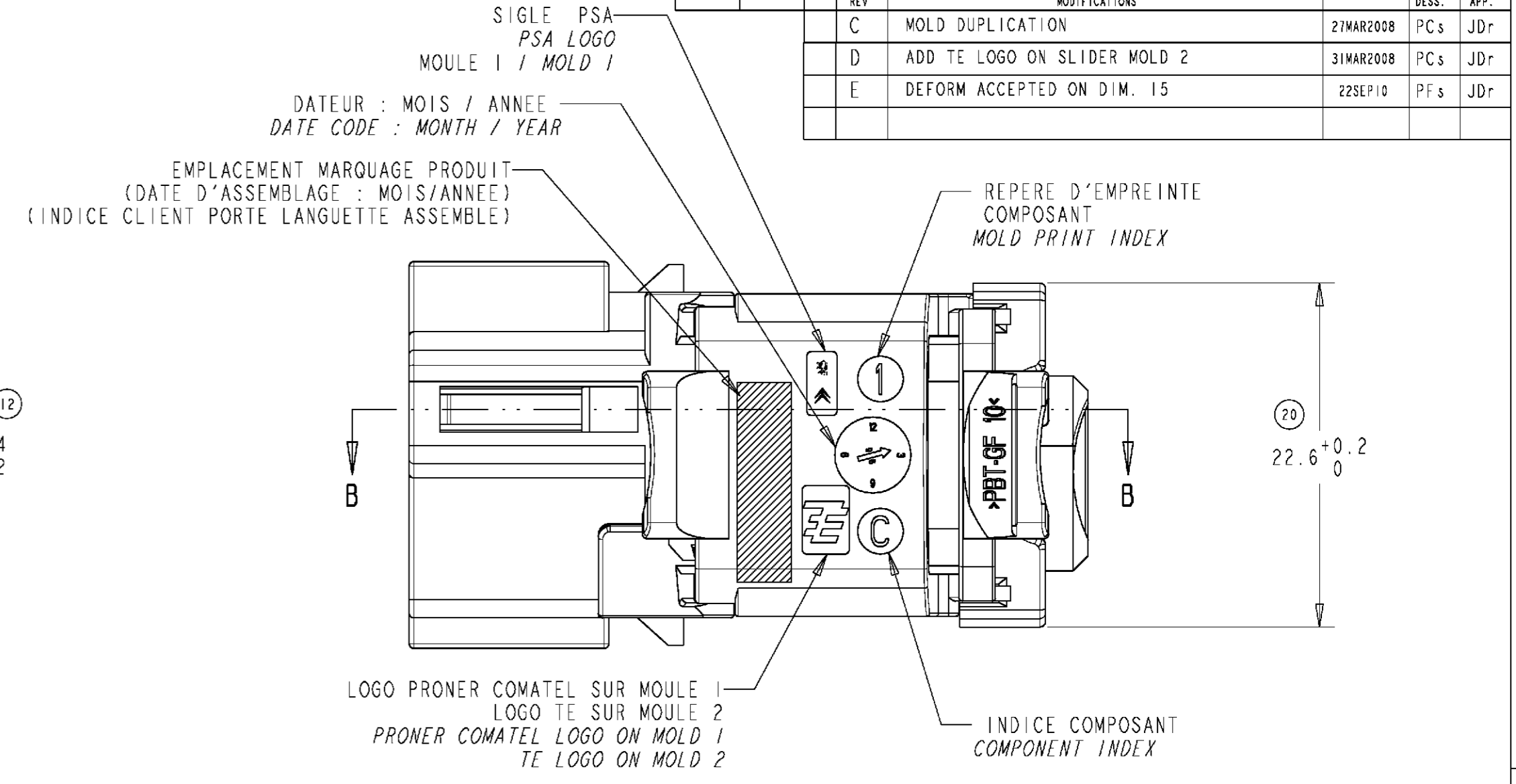
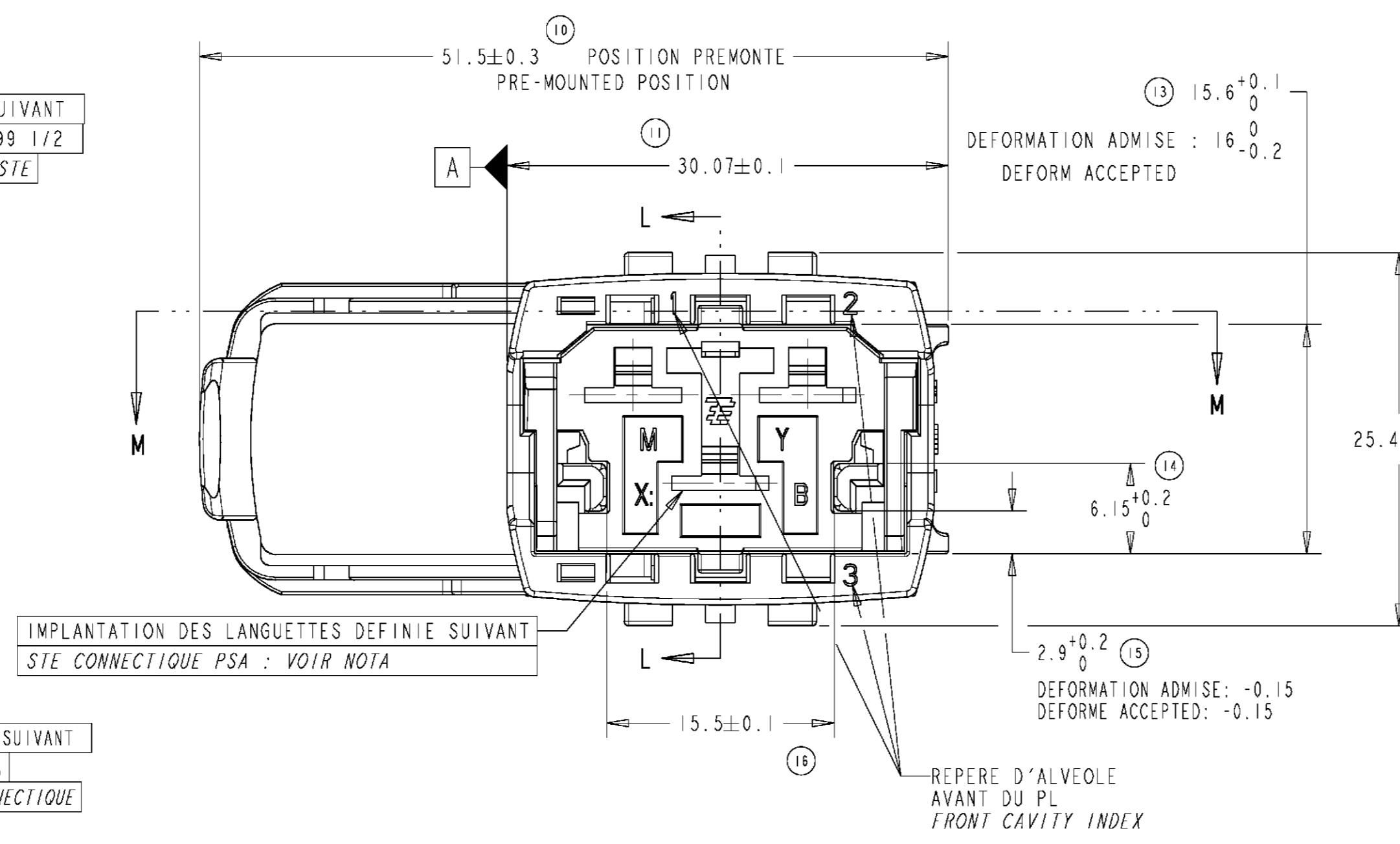
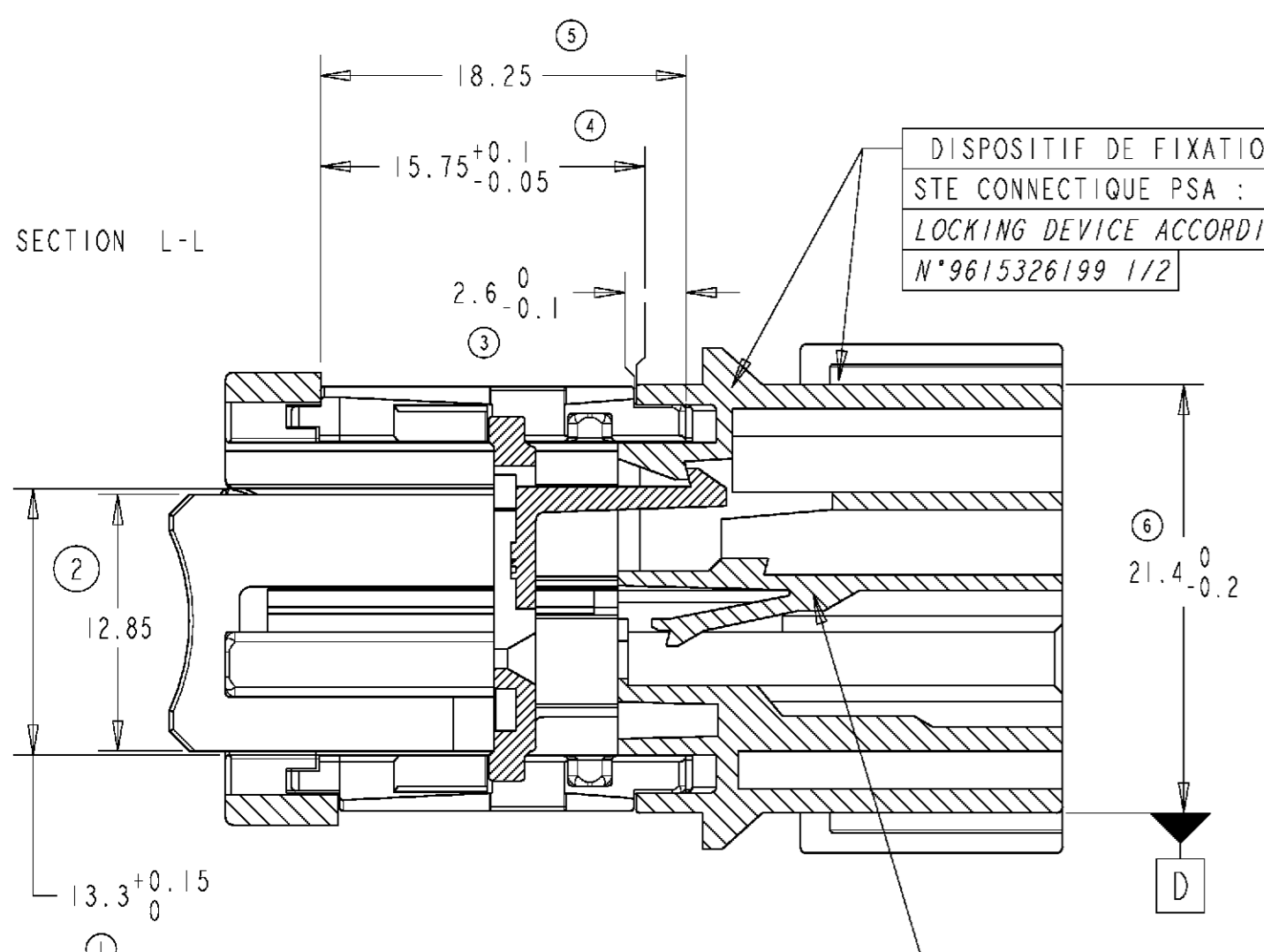
Email & Skype: info@chipsmall.com Web: www.chipsmall.com

Address: A1208, Overseas Decoration Building, #122 Zhenhua RD., Futian, Shenzhen, China

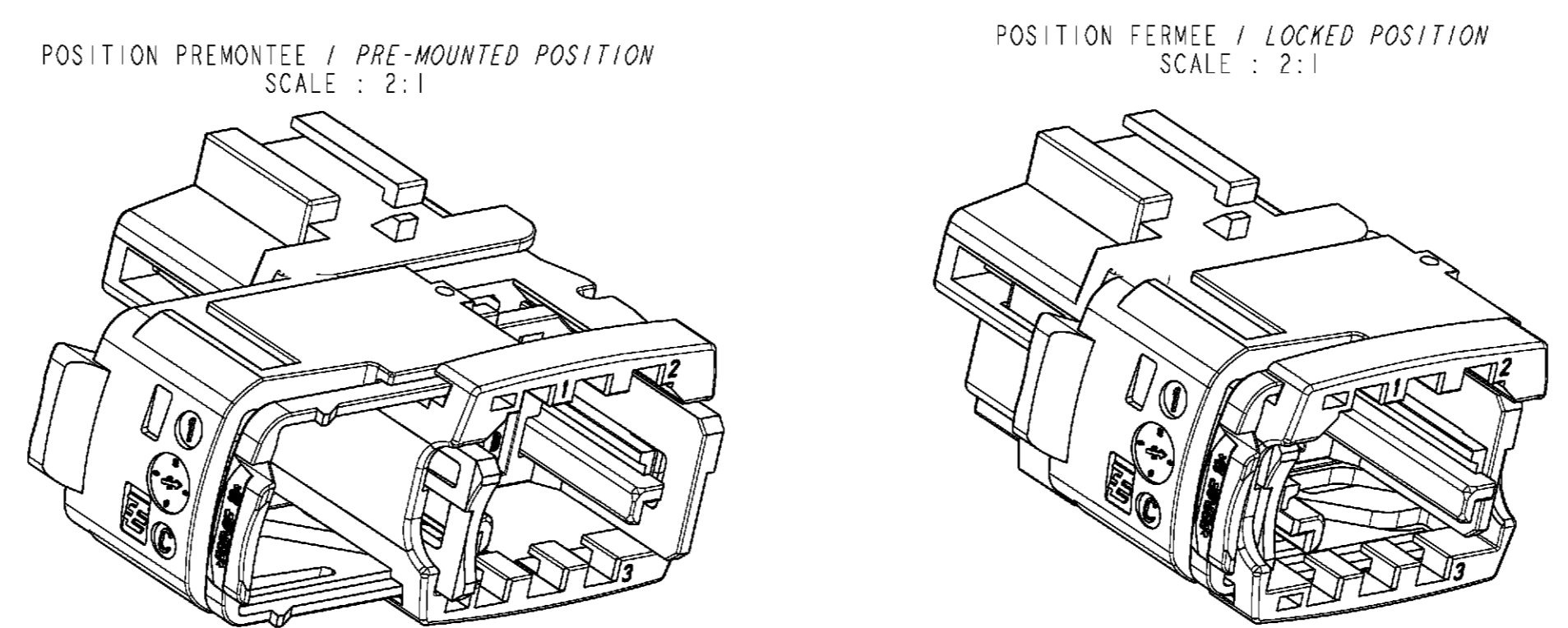




REVISONS		DATE	DWN	APPV
REV	DESCRIPTION		DES.	
C	MOLD DUPLICATION	21MAR2008	PCS	JDF
D	ADD TE LOGO ON SLIDER MOLD 2	31MAR2008	PCS	JDF
E	DEFORM ACCEPTED ON DIM. 15	22SEP10	PF S	JDF



REFERENCES ET CODAGES COULEURS ASSOCIES PART REFERENCES AND COLOR KEYING ASSOCIATED			
1544226-1	1544226-3	1544226-2	TE REFERENCE
NOIR : COTE X1 = 17.5 <sup>0</sup> / <sub>-0.2</sub> BLACK COTE X2 = 17.5 <sup>0</sup> / <sub>-0.2</sub>	VERT : COTE X1 = 17.5 <sup>0</sup> / <sub>-0.2</sub> GREEN COTE X2 = 17.5 <sup>0</sup> / <sub>-0.2</sub>	BLEU : COTE X1 = 1.2 <sup>0</sup> / <sub>-0.2</sub> BLUE COTE X2 = 17.5 <sup>0</sup> / <sub>-0.2</sub>	COULEUR COLOR
			POSITION DES CODAGES KEYING POSITION DETAIL



NOTA / NOTES:  
 - MSP : COTES SUIVIES EN MSP / DIMENSIONS FOLLOWED BY SPC  
 - CDC CONNECTIQUE PSA : 96306034-99 / PSA PRODUCT SPECIFICATION: 96306034-99  
 - ( ) : COTES POUR INFORMATION / DIMENSIONS FOR INFORMATION ONLY

DESIGNATION DESIGNATION	TE PN	COULEUR COLOR	MATIERE MATERIAL
PORTE LANGUETTE ASSEMBLE TAB HOUSING ASSEMBLED	1544226-1	NOIR / BLACK	PBT 10% FV V0
	1544226-2	BLEU / BLUE	
	1544226-3	VERT / GREEN	
GRILLE DE DETECTION DETECTION GRID	-	JAUNE / YELLOW	PBT 10% FV V0
ETRIER 3 VOIES SLIDER	-	ROUGE / RED	PBT 10% FV V0
LANGUETTE 6.35NGI 6.35NGI TAB	1544218-1	PROTECTION / PLATING Sn 0.8µm alto 1.5µm	Cu Sn Mg

DWN PRESSING: 27JAN2006  
 L. CORONELLI  
 P. FLORES  
 APPROUVE: 27JAN2006  
 J. DASSIE  
 PRODUCT SPEC  
 SPEC. PROBIT  
 APPLICATION SPEC  
 SPEC. APPLICATION  
 4-11-15687  
 WEIGHT APPROX: 20 g  
 CUSTOMER DRAWING / PLAN CLIENT  
 DRAWING NO: 00779  
 DRAWING NO: 1544226  
 SCALE: 2:1  
 SHEET: 1 OF 1  
 REV: E