



Chipsmall Limited consists of a professional team with an average of over 10 year of expertise in the distribution of electronic components. Based in Hongkong, we have already established firm and mutual-benefit business relationships with customers from,Europe,America and south Asia,supplying obsolete and hard-to-find components to meet their specific needs.

With the principle of "Quality Parts,Customers Priority,Honest Operation,and Considerate Service",our business mainly focus on the distribution of electronic components. Line cards we deal with include Microchip,ALPS,ROHM,Xilinx,Pulse,ON,Everlight and Freescale. Main products comprise IC,Modules,Potentiometer,IC Socket,Relay,Connector.Our parts cover such applications as commercial,industrial, and automotives areas.

We are looking forward to setting up business relationship with you and hope to provide you with the best service and solution. Let us make a better world for our industry!



## Contact us

Tel: +86-755-8981 8866 Fax: +86-755-8427 6832

Email & Skype: info@chipsmall.com Web: www.chipsmall.com

Address: A1208, Overseas Decoration Building, #122 Zhenhua RD., Futian, Shenzhen, China



4

3

2

1

THIS DRAWING IS UNPUBLISHED.

RELEASED FOR PUBLICATION

2011

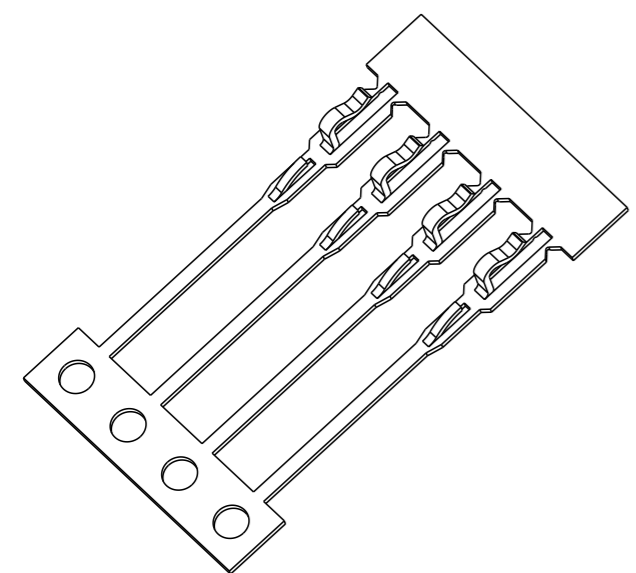
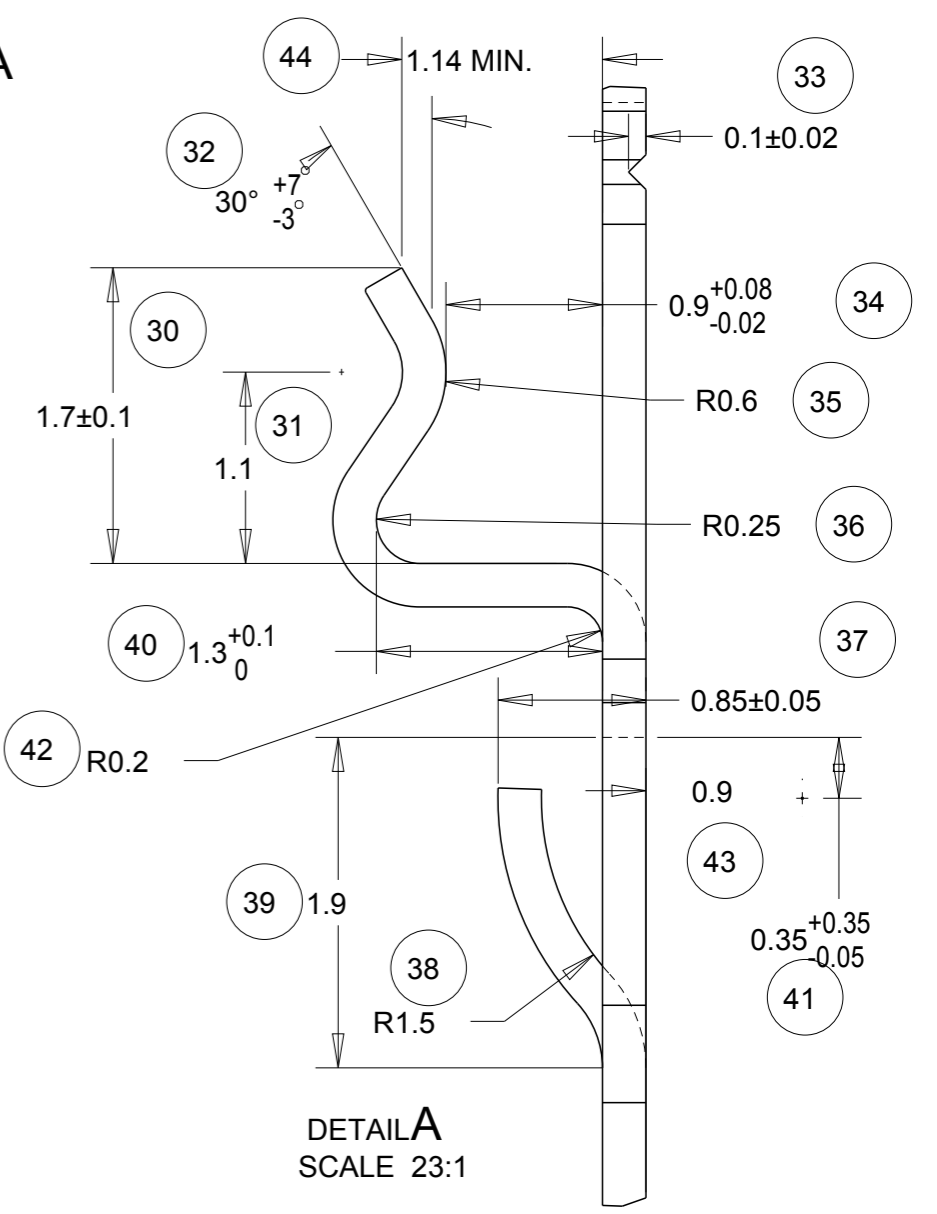
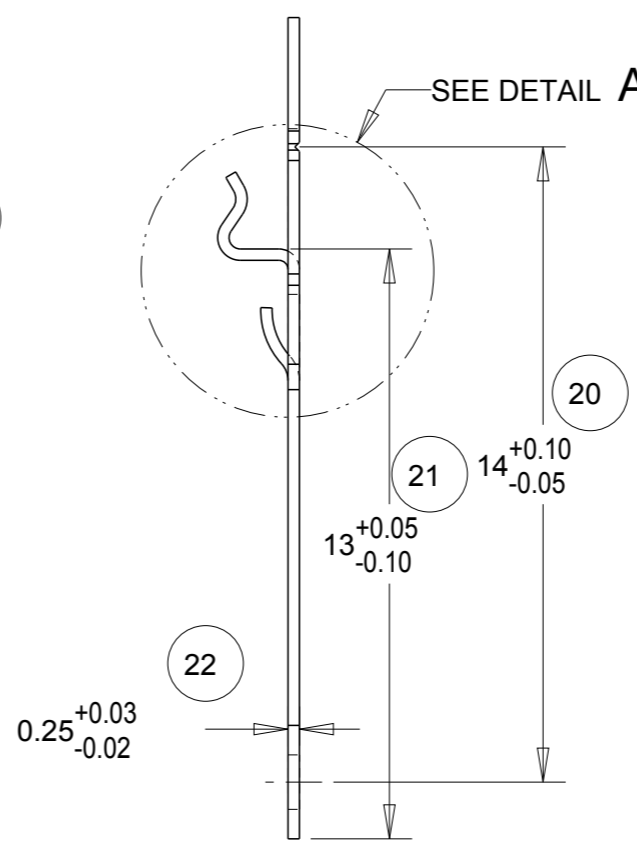
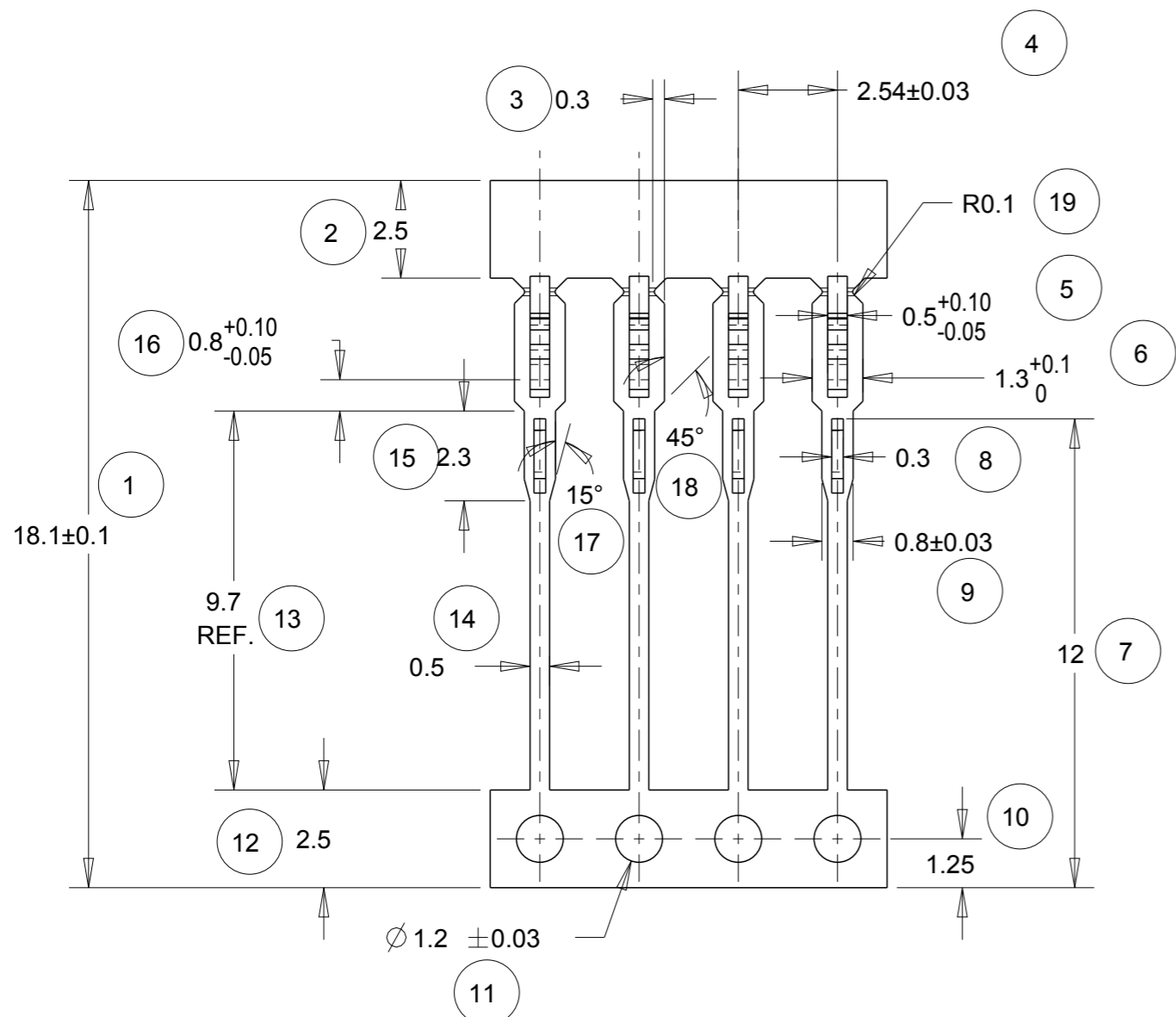
© COPYRIGHT 2011 TE CONNECTIVITY

ALL RIGHTS RESERVED.

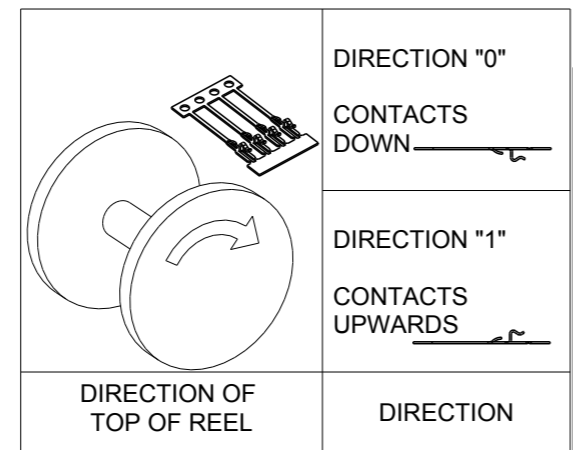
LOC	DIST
B	-

REVISIONS

P	LTR	DESCRIPTION	DATE	DWN	APVD
E		ECR-11-018847	13/09/11	JB	MG
F		ECR-11-019441	22/09/11	JB	MG
G		ECR-13-005845	04/04/13	MG	DP



NOTE  
 BOWING: AFTER UPPER TIE BAR REMOVAL- 1.5mm MAX. FOR 500mm  
 PITCH: AFTER UPPER TIE BAR REMOVAL- 2.54±0.127



THIS DRAWING IS A CONTROLLED DOCUMENT.	
DIMENSIONS: mm	TOLERANCES UNLESS OTHERWISE SPECIFIED: 0 PLC ±- 1 PLC ±- 2 PLC ±0.05 3 PLC ±- 4 PLC ±- ANGLES ±- ±0.5 FINISH -
MATERIAL	SEE ABOVE.

DWN	J.BRIGHT	22/08/11
CHK	M.GREENER	22/08/11
APVD	D.PENNINGTON	22/08/11
PRODUCT SPEC	-	-
APPLICATION SPEC	-	-
WEIGHT	-	-

0	Sn over Ni	1544282-2
0	Sn	1544282-1
REELING	FINISH	PART NUMBER
<b>STE</b> TE Connectivity		
NAME <b>SIL CONTACT</b>		
SIZE	CAGE CODE	DRAWING NO
<b>A3</b>	00779	<b>C</b> -1544282
Customer Drawing	SCALE <b>NTS</b>	SHEET 1 OF 1 REV <b>G</b>