



Chipsmall Limited consists of a professional team with an average of over 10 year of expertise in the distribution of electronic components. Based in Hongkong, we have already established firm and mutual-benefit business relationships with customers from,Europe,America and south Asia,supplying obsolete and hard-to-find components to meet their specific needs.

With the principle of "Quality Parts,Customers Priority,Honest Operation,and Considerate Service",our business mainly focus on the distribution of electronic components. Line cards we deal with include Microchip,ALPS,ROHM,Xilinx,Pulse,ON,Everlight and Freescale. Main products comprise IC,Modules,Potentiometer,IC Socket,Relay,Connector.Our parts cover such applications as commercial,industrial, and automotives areas.

We are looking forward to setting up business relationship with you and hope to provide you with the best service and solution. Let us make a better world for our industry!



Contact us

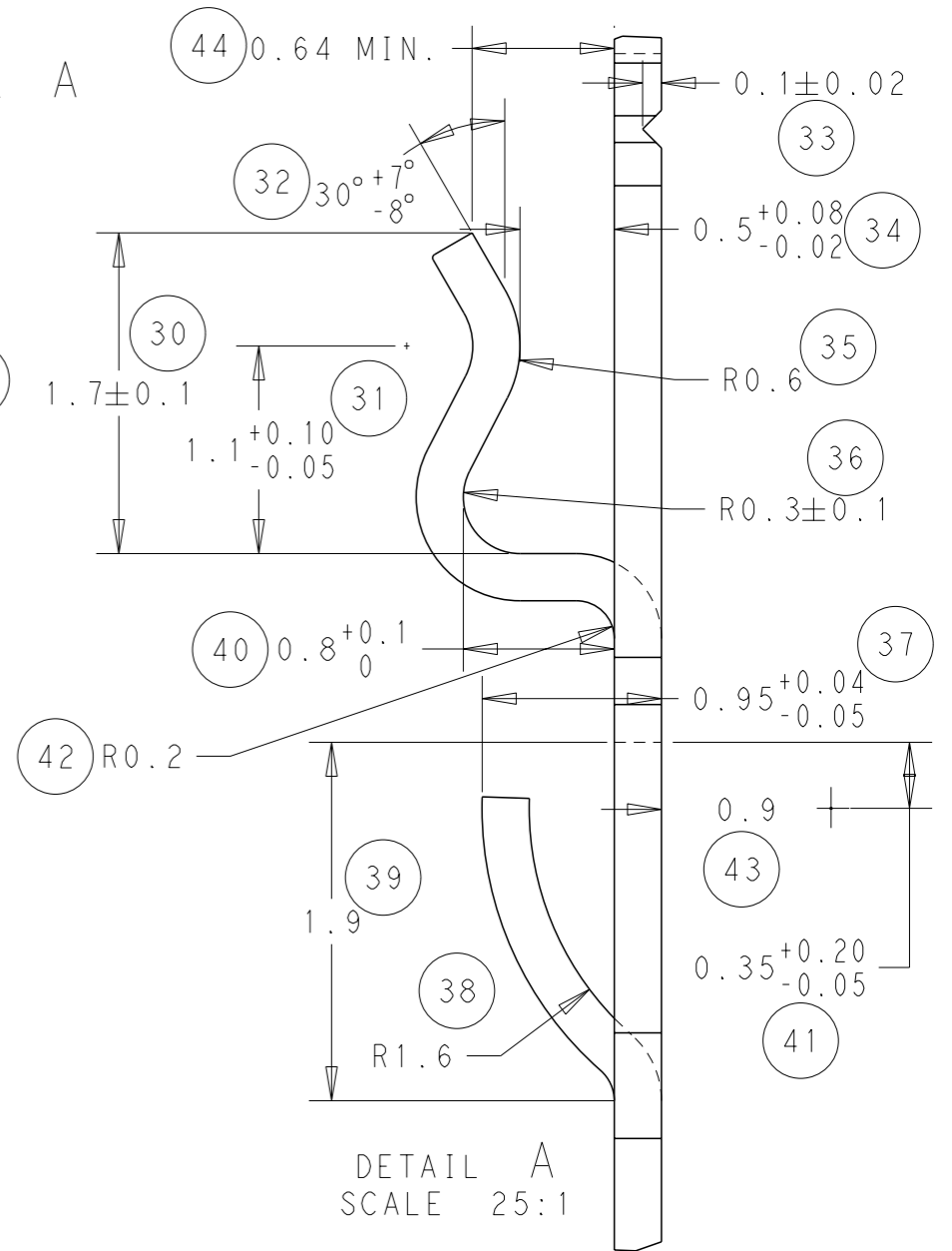
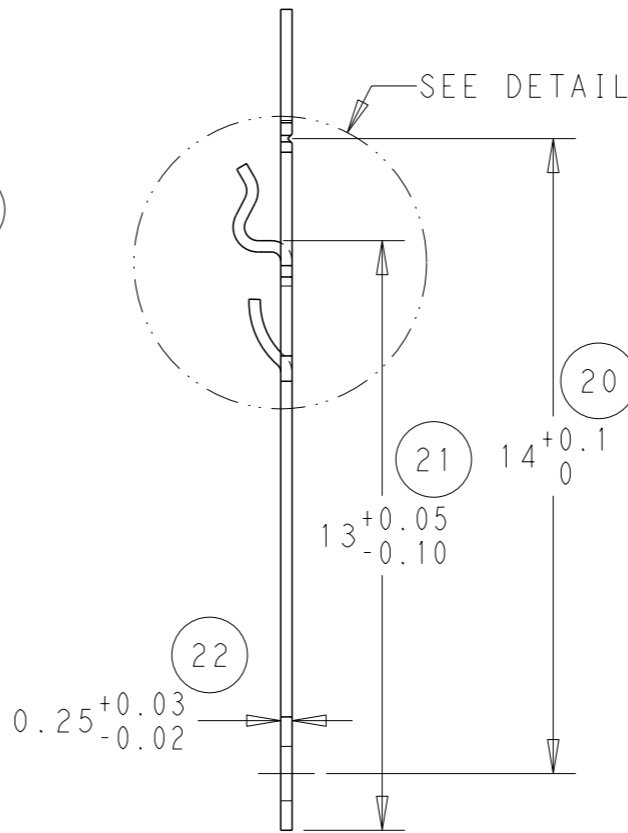
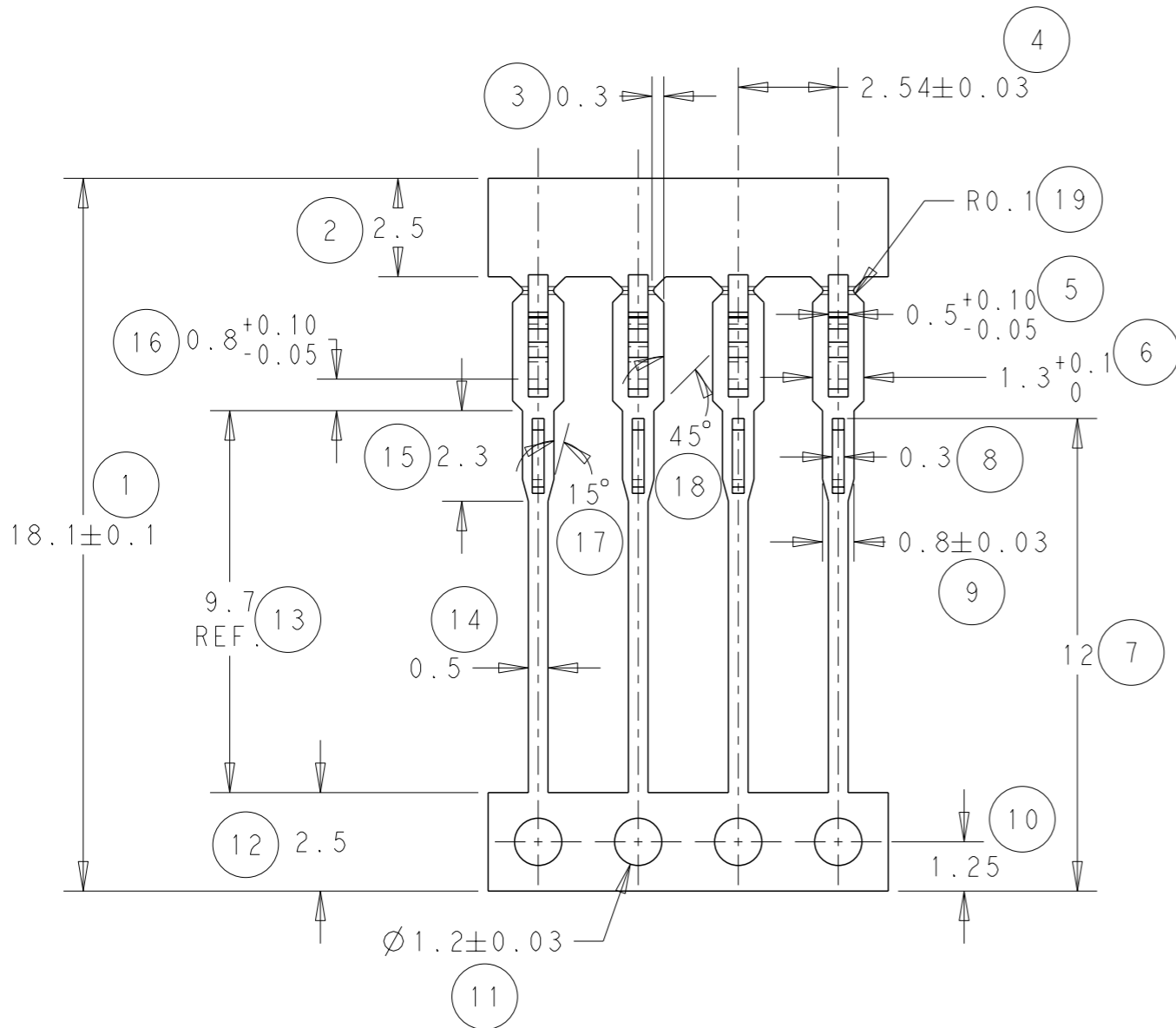
Tel: +86-755-8981 8866 Fax: +86-755-8427 6832

Email & Skype: info@chipsmall.com Web: www.chipsmall.com

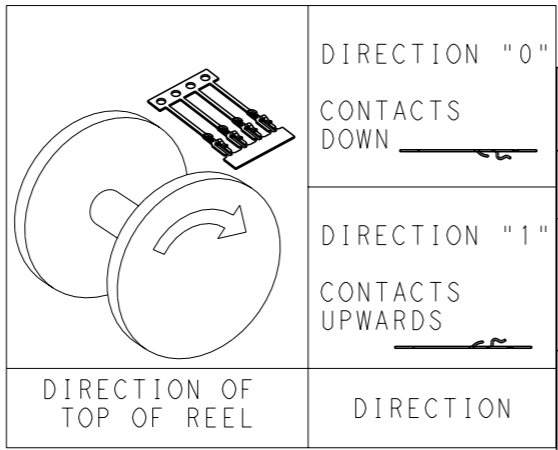
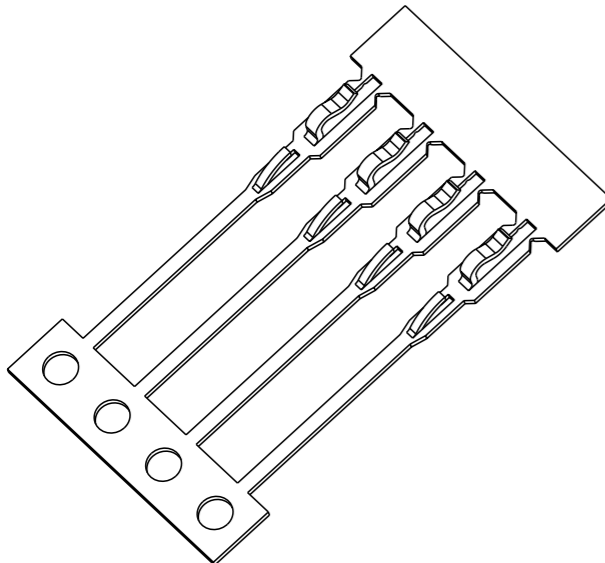
Address: A1208, Overseas Decoration Building, #122 Zhenhua RD., Futian, Shenzhen, China



LOC	DIST	REVISIONS			
P	LTR	DESCRIPTION	DATE	DWN	APVD
B	-				
	D	ECR-11-017575	22/08/11	JB	MG
	E	ECR-11-018763	12/09/11	JB	MG



NOTE
 BOWING: AFTER UPPER TIE BAR REMOVAL - 1.5mm MAX. FOR 500mm
 PITCH: AFTER UPPER TIE BAR REMOVAL - 2.54±0.127



THIS DRAWING IS A CONTROLLED DOCUMENT.

DIMENSIONS:	TOLERANCES UNLESS OTHERWISE SPECIFIED:
mm	0 PLC ±-
	1 PLC ±-
	2 PLC ±0.05
	3 PLC ±-
	4 PLC ±-
	ANGLES ±0.5
MATERIAL	FINISH -
SEE ABOVE	

DWN	22/08/11
J. BRIGHT	
CHK	22/08/11
M. GREENER	
APVD	22/08/11
D. PENNINGTON	
PRODUCT SPEC	
APPLICATION SPEC	
WEIGHT	-

0	Ni & Sn	1544290-2
0	Sn	1544290-1
REELING	FINISH	PART NUMBER

		TE Connectivity	
		NAME: SIL CONTACT	
SIZE	CAGE CODE	DRAWING NO	RESTRICTED TO
A3	00779	C-1544290	-
CUSTOMER DRAWING		SCALE NTS	SHEET 1 OF 1 REV E