



Chipsmall Limited consists of a professional team with an average of over 10 year of expertise in the distribution of electronic components. Based in Hongkong, we have already established firm and mutual-benefit business relationships with customers from,Europe,America and south Asia,supplying obsolete and hard-to-find components to meet their specific needs.

With the principle of “Quality Parts,Customers Priority,Honest Operation,and Considerate Service”,our business mainly focus on the distribution of electronic components. Line cards we deal with include Microchip,ALPS,ROHM,Xilinx,Pulse,ON,Everlight and Freescale. Main products comprise IC,Modules,Potentiometer,IC Socket,Relay,Connector.Our parts cover such applications as commercial,industrial, and automotives areas.

We are looking forward to setting up business relationship with you and hope to provide you with the best service and solution. Let us make a better world for our industry!



Contact us

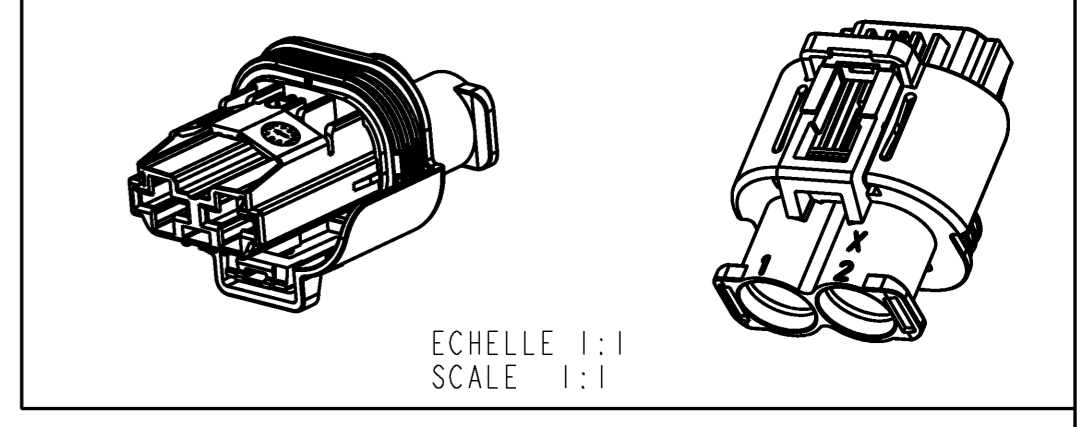
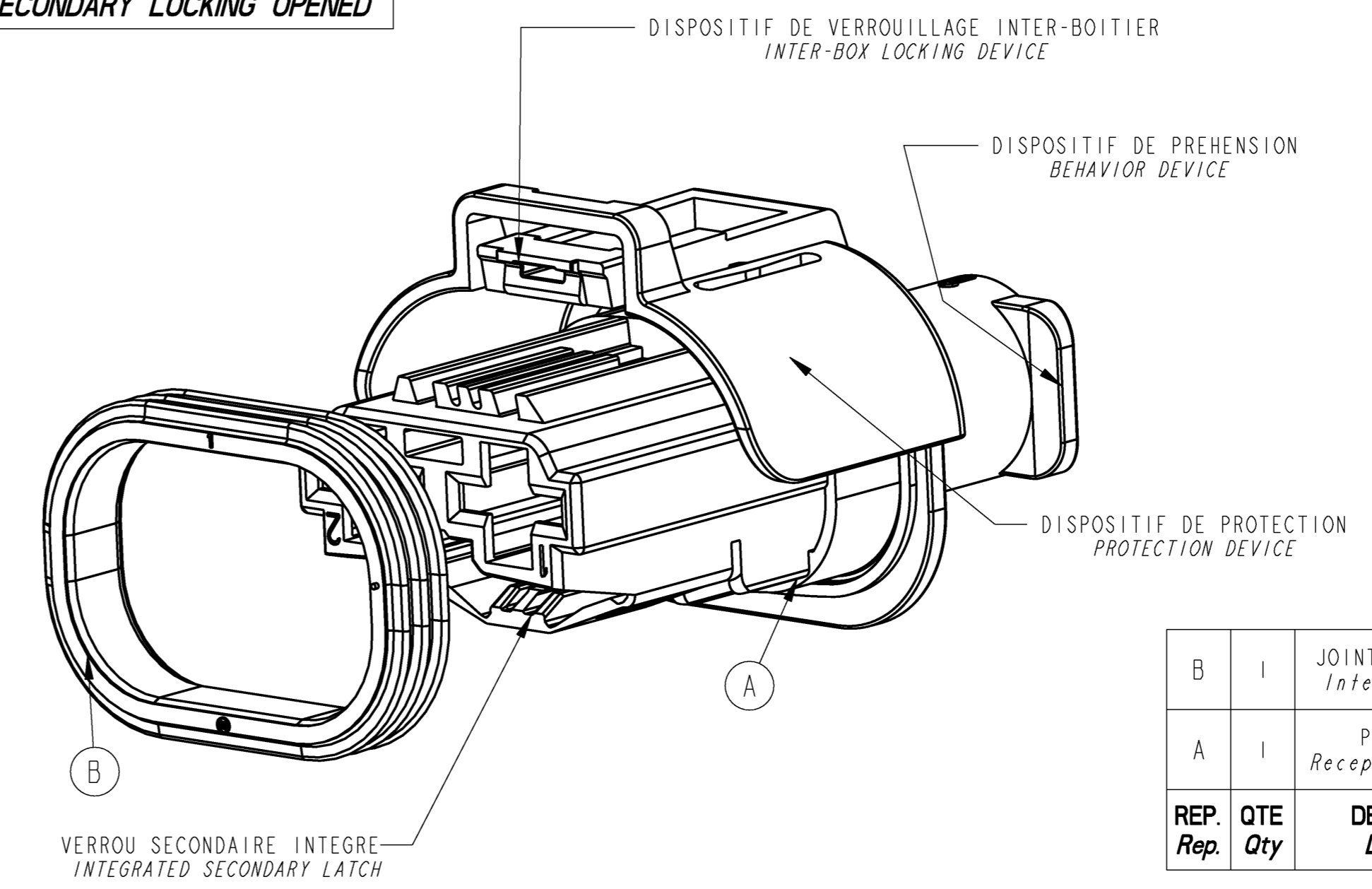
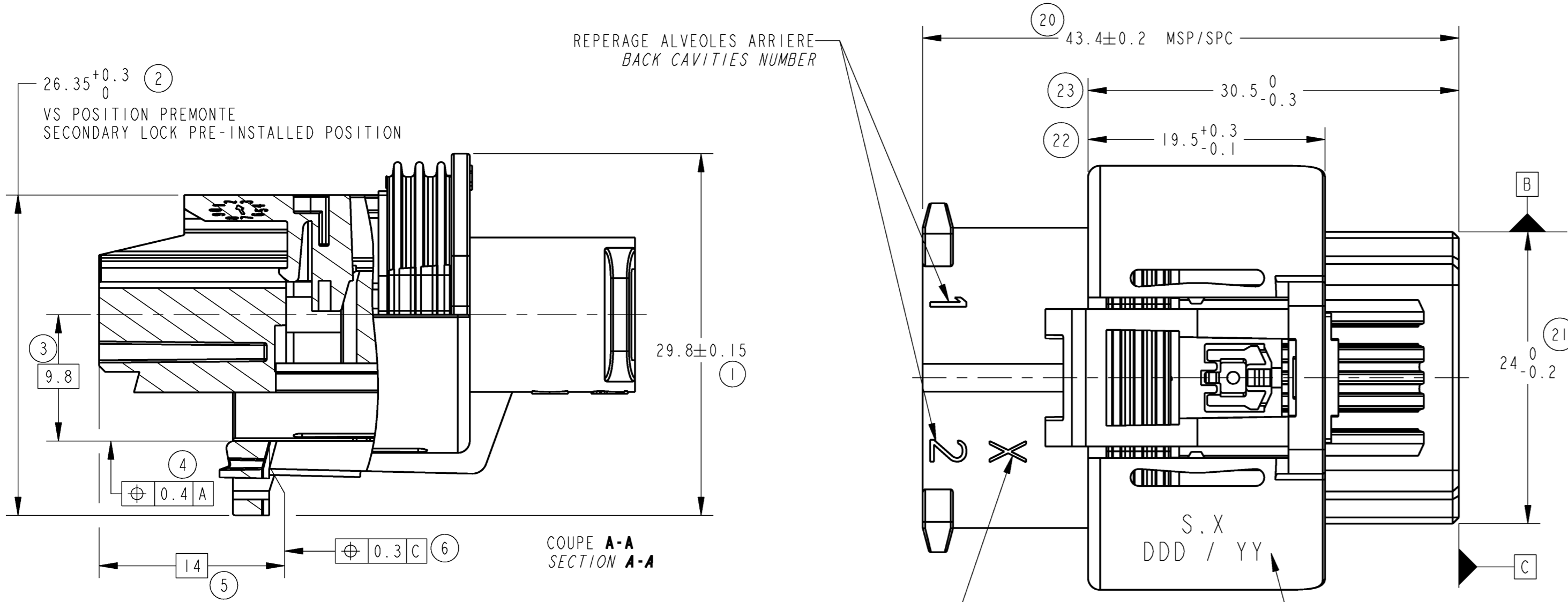
Tel: +86-755-8981 8866 Fax: +86-755-8427 6832

Email & Skype: info@chipsmall.com Web: www.chipsmall.com

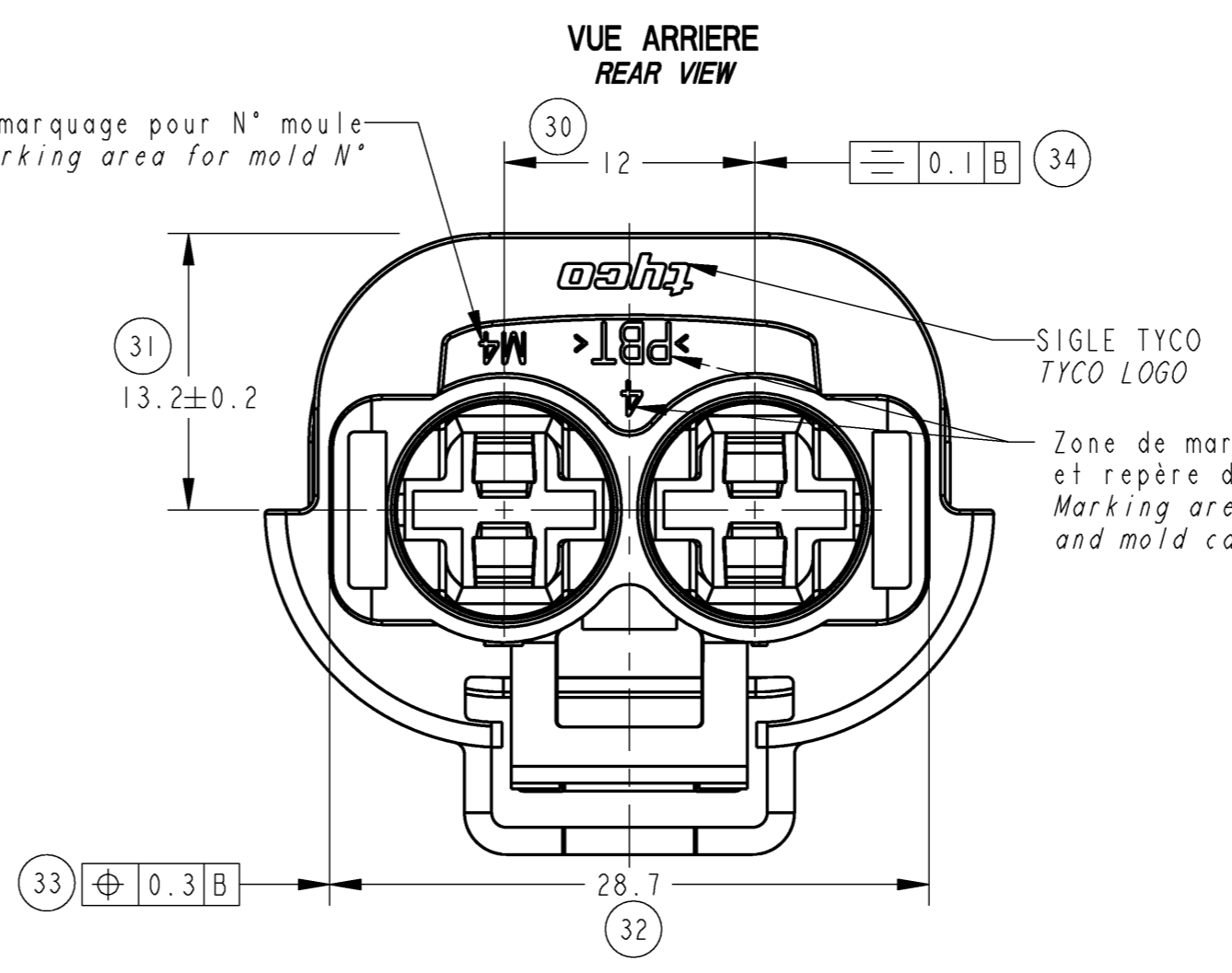
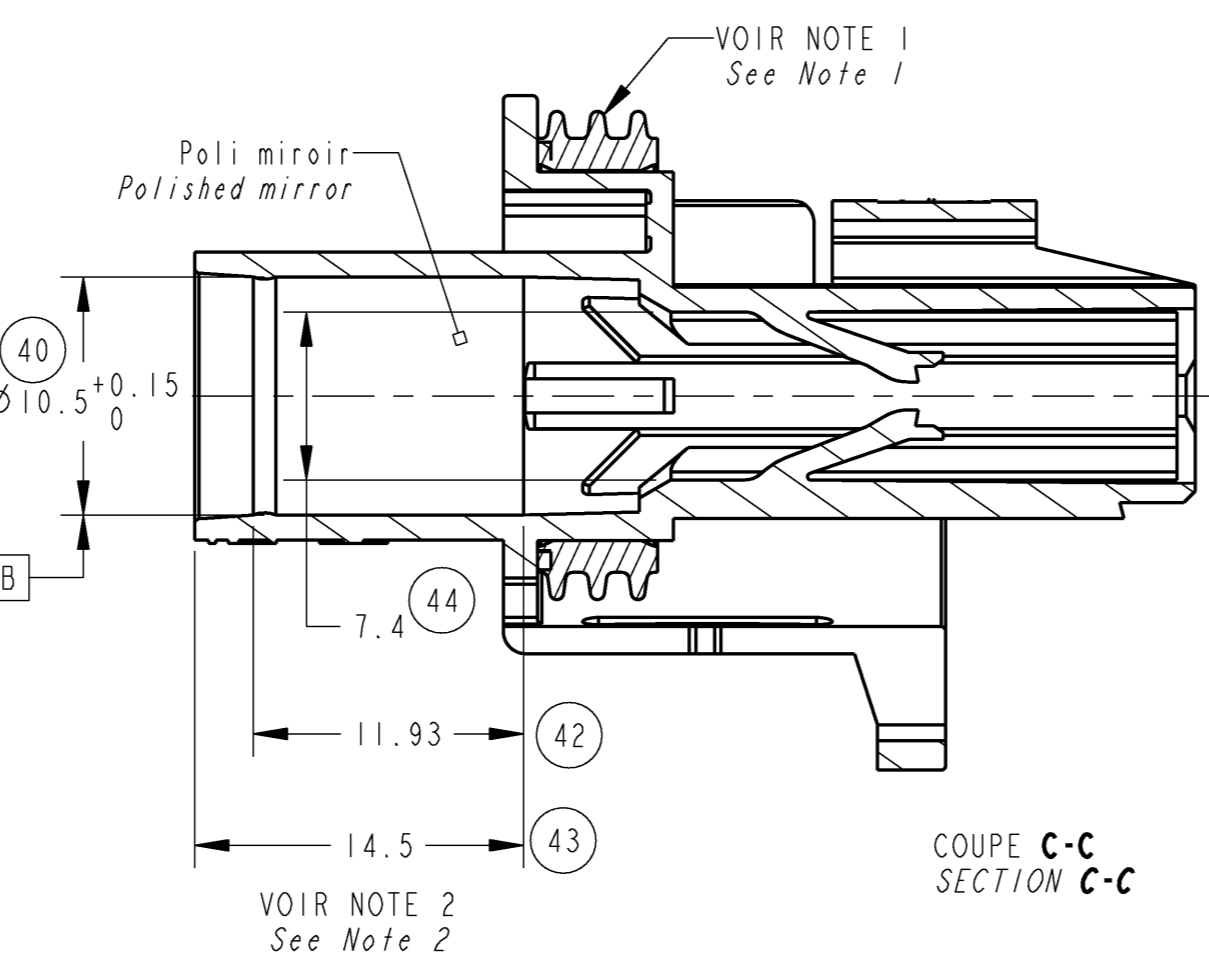
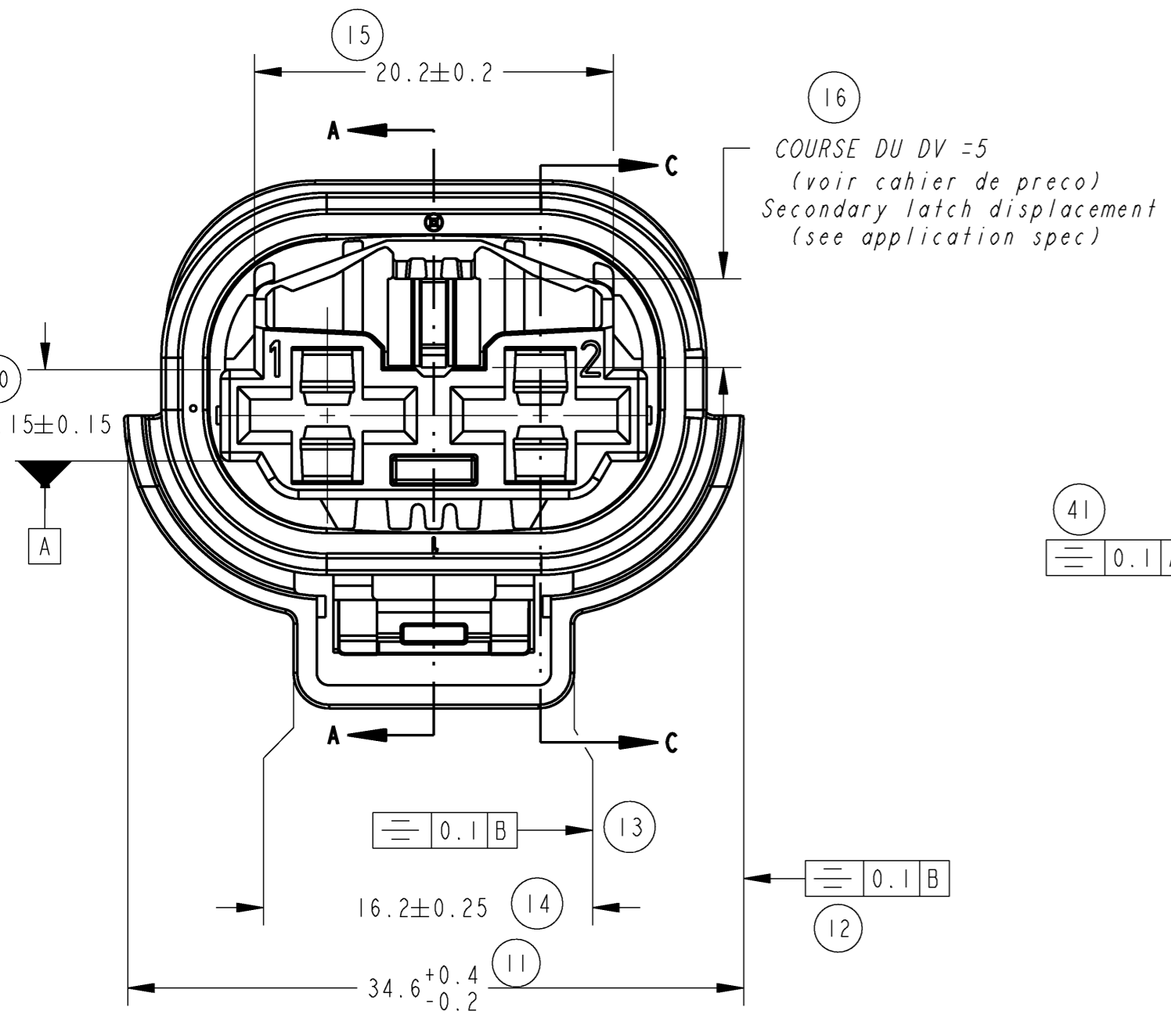
Address: A1208, Overseas Decoration Building, #122 Zhenhua RD., Futian, Shenzhen, China



PORTE-CLIPS / VS OUVERT
TERMINAL RECEPTACLE HOUSING / SECONDARY LOCKING OPENED



REP. Rep.	QTE Qty	DESIGNATION Description	MATIERE Material	COULEUR Colour
B	I	JOINT INTERFACIAL Interfacial seal	SILICONE MVQ 50 autolubrifie MVQ 50 Self-lubricated silicon	VERT Green
A	I	PORTE-CLIP Receptacle housing	PBT	VOIR TABLEAU See table



NOTES :

- <1> LEVRES DU JOINT EXEMPTES DE BAVURES, COUPURES OU DEFATS D'ASPECTS
SEAL MUST NO BURRS, CRACKS OR SURFACES DEFECTS
- <2> ZONE SANS PLAN DE JOINT , EXEMTE DE MARQUES OU RAYURES
AREA WITHOUT JUNCTION LINES , MUST NO MARKS OR BURRS
- MSP : COTES SUIVIES EN MSP / SPC DIMENSIONS .

DOCUMENTS DE REFERENCE / REFERENCE DOCUMENTS :

- PLAN D'INTERFACE / INTERFACE DRAWING :
TYCO : No / Nr 1544681
PSA : STE No / Nr 9638276999
- PLAN D'ALVEOLE 8mm NGI / 8mm NGI CAVITY DRAWING :
TYCO : No / Nr 3213 D 101 (No PRONER)
PSA : STE No / Nr 9641753599
- CDC CONNECTIQUE PSA / PSA CONNECTIC CDC
PSA : STE No / Nr 96 299 660 99

REFERENCES PORTES LANGUETTES ASSOCIEES / ASSOCIATED TABS HOUSINGS REFERENCES

REF (PN) TYCO	DESIGNATION / DESCRIPTION	MATIERE / MATERIAL	COULEUR / COLOR
1544334-1	Porte-langchette 2 voies 8NGI etanche 2-way 8NGI sealed tab housing	PBT 10% FV PBT GF 10%	NOIR BLACK
1544334-2	Porte-langchette 2 voies 8NGI etanche 2-way 8NGI sealed tab housing	PBT 10% FV PBT GF 10%	BLEU BLUE
1544334-3	Porte-langchette 2 voies 8NGI etanche 2-way 8NGI sealed tab housing	PBT 10% FV PBT GF 10%	GRIS GREY

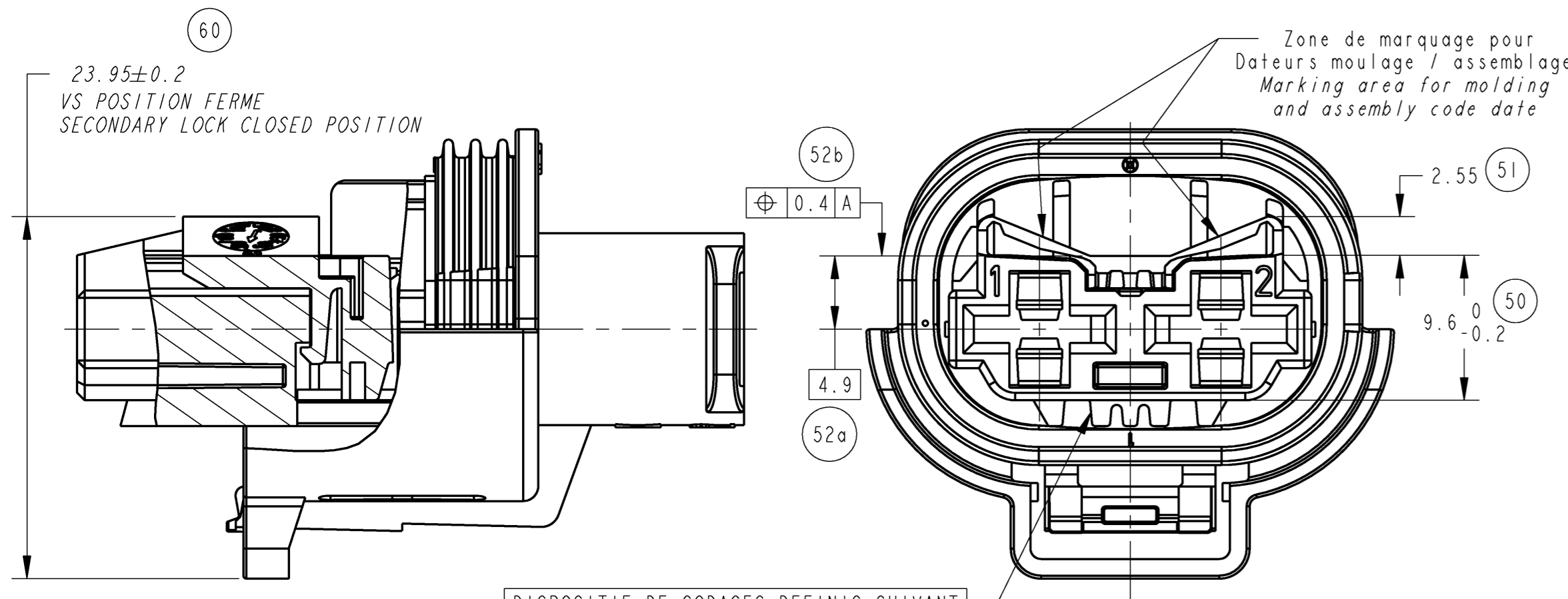
REFERENCES CLIPS ET JOINTS ASSOCIEES / ASSOCIATED FEMALES RECEPTACLES AND SEALS REFERENCES

REF (PN) TYCO	DESIGNATION / DESCRIPTION	MATIERE / MATERIAL	COULEUR / COLOR
1544227-1	Clip 8mm NGI, section 3 a 6 mm ² Receptacle 8mm NGI, wire-sect 3 to 6 mm ²	Cuivre Micro allie Micro alloy copper	/
1544228-1	Clip 8mm NGI, section 7 a 10 mm ² Receptacle 8mm NGI, wire-sect 7 to 10 mm ²	Cuivre Micro allie Micro alloy copper	/
1544316-1	Joint unifilaire, diametre fil 3.18 a 4.2mm Single wire seal, wire diameter 3.18 to 4.2mm	Silicone Autolubrifie Self-lubricated Silicon	VERT GREEN
1544316-2	Joint unifilaire, diametre fil 4.3 a 6mm Single wire seal, wire diameter 4.3 to 6mm	Silicone Autolubrifie Self-lubricated Silicon	ORANGE ORANGE
1544316-3	Bouchon Seal plug	Silicone Non-lubrifie No-lubricated Silicon	BLANC WHITE
1544664-1	Super-joint unifilaire, diametre fil 3.18 a 4.2mm Super-single wire seal, wire diameter 3.18 to 4.2mm	Silicone Autolubrifie Self-lubricated Silicon	VERT GREEN
1544664-2	Super-joint unifilaire, diametre fil 4.3 a 6mm Super-single wire seal, wire diameter 4.3 to 6mm	Silicone Autolubrifie Self-lubricated Silicon	ORANGE ORANGE
1544664-3	Super-bouchon Super-seal plug	Silicone Non-lubrifie No-lubricated Silicon	BLANC WHITE

REFERENCES TYCO & CODAGES COULEURS ASSOCIES
TYCO PART NUMBERS & ASSOCIATED CODING COLORS

1544317-1	1544317-2	1544317-3
NOIR / BLACK	BLEU / BLUE	GRIS / GREY

PORTE-CLIPS / VS FERME
TERMINAL RECEPTACLE HOUSING / SECONDARY LOCKING CLOSED



DISPOSITIF DE CODAGES DEFINIS SUIVANT
 PLAN D'INTERFACE N° : VOIR NOTA
 CODING DEVICE DEFINED TO
 INTERFACE DRAWING N° : SEE NOTE

tyco Tyco Electronics France SAS
 Rue 90, 38530 Chapareillon

1544334-1
 PORTE-CLIP 2 VOIES 8mm NGI ETANCHE
 2-WAY 8mm NGI SEALED
 RECEPTACLE HOUSING

DATE: 20APR2005
 DRAWING NO: 1544334-1
 WEIGHT: 8.75gr
 MASS: 8.75gr