



Chipsmall Limited consists of a professional team with an average of over 10 year of expertise in the distribution of electronic components. Based in Hongkong, we have already established firm and mutual-benefit business relationships with customers from,Europe,America and south Asia,supplying obsolete and hard-to-find components to meet their specific needs.

With the principle of “Quality Parts,Customers Priority,Honest Operation,and Considerate Service”,our business mainly focus on the distribution of electronic components. Line cards we deal with include Microchip,ALPS,ROHM,Xilinx,Pulse,ON,Everlight and Freescale. Main products comprise IC,Modules,Potentiometer,IC Socket,Relay,Connector.Our parts cover such applications as commercial,industrial, and automotives areas.

We are looking forward to setting up business relationship with you and hope to provide you with the best service and solution. Let us make a better world for our industry!



Contact us

Tel: +86-755-8981 8866 Fax: +86-755-8427 6832

Email & Skype: info@chipsmall.com Web: www.chipsmall.com

Address: A1208, Overseas Decoration Building, #122 Zhenhua RD., Futian, Shenzhen, China



THIS DRAWING IS UNPUBLISHED.
 DIFFUSION RESTREINTE AMP
 (C) COPYRIGHT 2008 BY TYCO ELECTRONICS CORPORATION. ALL RIGHTS RESERVED.
 TOUS DROITS RESERVES

RELEASED FOR PUBLICATION
 LIBRE A LA DIFFUSION
 2008

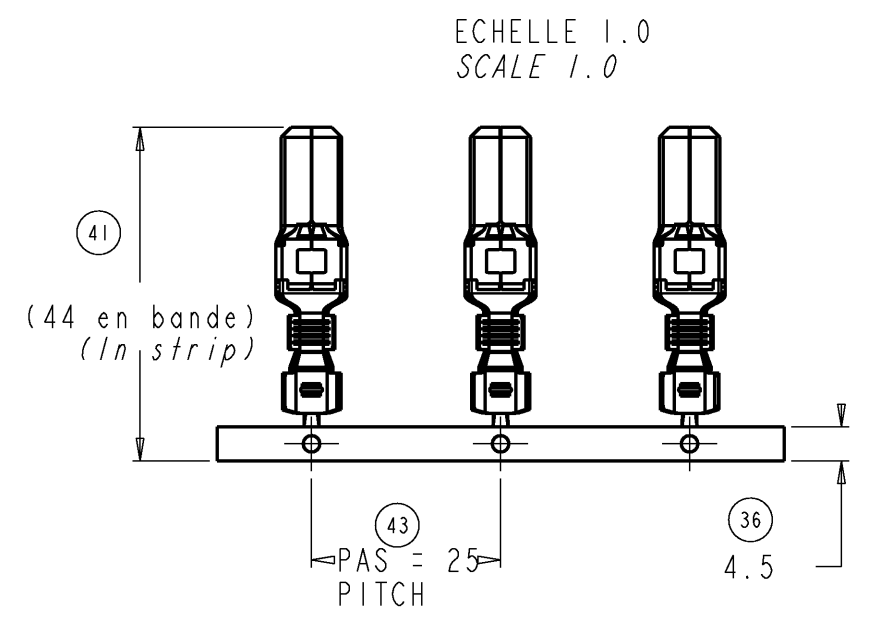
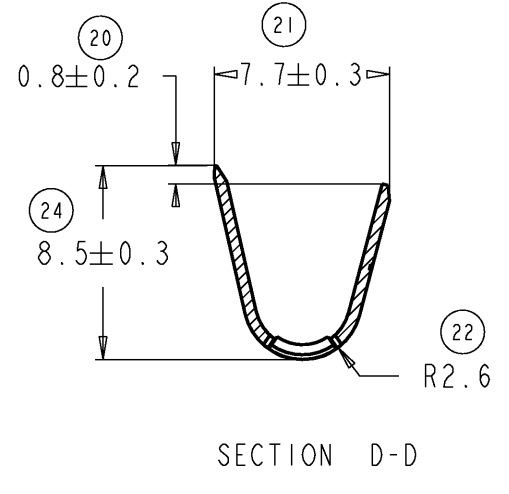
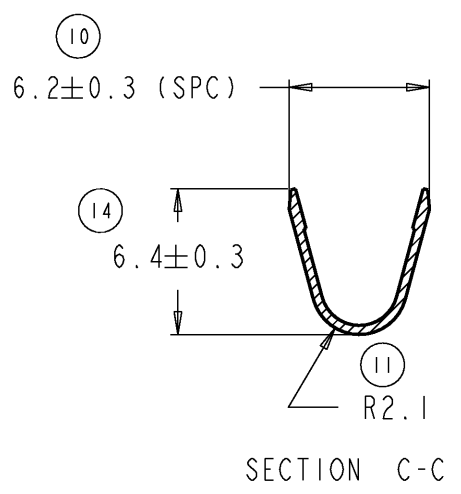
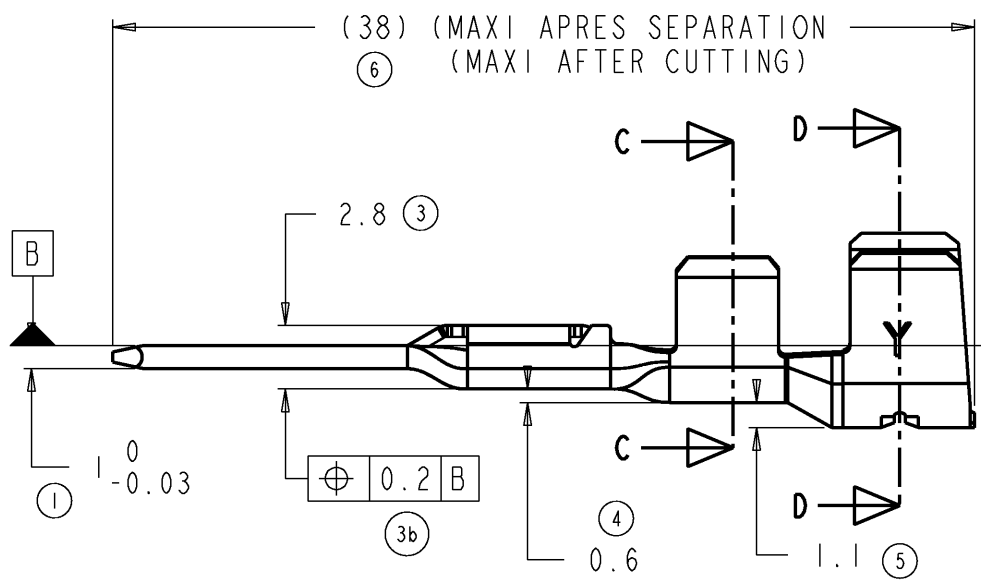
LOC F
 DIST 00

REVISIONS

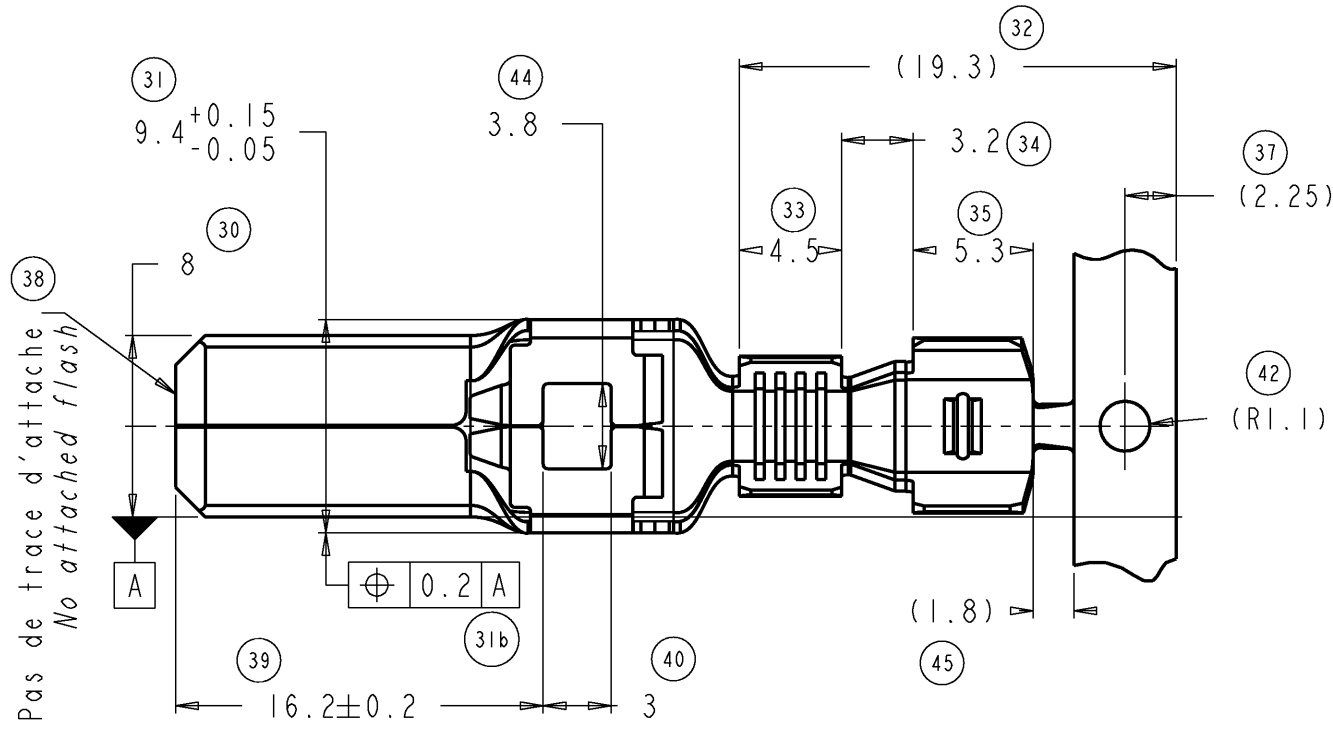
P	LTR REV	DESCRIPTION MODIFICATIONS	DATE	DWN DESS.	APVD APP.
C		PACKAGING MODIFICATION, SET UP TRANSITION	31MAR2008	PFs	JDr
-		BETWEEN TAB AND CAGE, TYCO TITLE BLOCK,			
-		ADD NEW PN, CRIMPING SPEC REPLACED BY No			

Y = IDENTIFICATION MATIERE VOIR TABLEAU
 MATERIAL IDENTIFICATION SEE TABLE

ECHELLE 2.0
 SCALE 2.0



() = COTE DONNEE A TITRE INDICATIF
 () = DIMENSION ONLY FOR INFORMATION



JOINT UNIFILAIRE ASSOCIE - ASSOCIATE WIRE SEAL		
DESIGNATION DEFINITION	PN TE TE PN	PN CLIENT CUSTOMER PN
JOINT UNIFILAIRE A SERTIR 3 A 6 mm ² DIAMETRE FIL 3.5 A 4.5 mm SINGLE SEAL 3 TO 6 mm ² WIRE DIAMETER FROM 3.5 TO 4.5mm	1544316-1	

PN CLIENT CUSTOMER PN	PN TE TE PN	Y : MATIERE Y : MATERIAL	MATIERE MATERIAL	PROTECTION FINISH
	1544332-1	SANS WITHOUT	LAITON / BRASS SPEC SM 125	Sn : 0.8 A 1.2µ SPEC 112-16-4
	1544332-2	R	BRONZE / BRONZE SPEC 100-221	Sn : 1 A 2µ SPEC 112-20-4

CONDITIONNEMENT - PACKAGING

- CONDITIONNEMENT SELON SPECIFICATIONS: 107-15603
- NOMBRE DE PIECES PAR GALETTE = 1100.
- NOMBRE DE GALLETES PAR CARTON = 2
- PACKAGING ACCORDING TO SPECIFICATIONS No: 107-15603
- NUMBER PARTS BY WHEEL = 1100.
- NUMBER OF WHEELS BY BOX = 2

THIS DRAWING IS A CONTROLLED DOCUMENT FOR TYCO ELECTRONICS CORPORATION IT IS SUBJECT TO CHANGE AND THE CONTROLLING ENGINEERING ORGANIZATION SHOULD BE CONTACTED FOR THE LATEST REVISION.
 CE PLAN EST UN DOCUMENT CONTROLE PAR AMP INCORPORATED. IL EST SUSCEPTIBLE D'ETRE REVISE. CONTACTER LE SERVICE TECHNIQUE D'AMP DE FRANCE POUR OBTENIR LA DERNIERE REVISION.

DIMENSIONS: mm	TOLERANCES UNLESS OTHERWISE SPECIFIED: (SUIV NR DE DECIMALES): PLC / DEC ± PLC / DEC ± PLC / DEC ±0.1 PLC / DEC ± PLC / DEC ±
	ANGLES ±2°
MATERIAL MATIERE SEE TABLE	FINISH FINITION SEE TABLE

DWN / DESSINE P. FLORES	31MAR08
CHK / VERIFIE L. CORONELLI	31MAR08
APVD / APPROUVE J. DAHER	31MAR08
PRODUCT SPEC SPEC. PRODUIT 108-15346	
APPLICATION SPEC SPEC. APPLICATION 114-15112	
WEIGHT MASSE APPROX. 0.003kg	

Tyco Electronics Tyco Electronics France SAS
 RN 90, 38530 Chapareillan

NAME TITRE: LANGUETTE 8NG1 - GAMME 3 A 6 mm²
 8NG1 TAB - RANGE 3 TO 6mm²

SIZE FORMAT A3	CAGE CODE 00779	DRAWING NO No PLAN C-1544332	RESTRICTED TO RESERVE A
----------------	-----------------	------------------------------	-------------------------

CUSTOMER DRAWING / PLAN CLIENT UNIQUEMENT POUR REFERENCE SCALE ECHELLE 3 SHEET FEUILLE 1 OF DE 1 REV C