



Chipsmall Limited consists of a professional team with an average of over 10 year of expertise in the distribution of electronic components. Based in Hongkong, we have already established firm and mutual-benefit business relationships with customers from,Europe,America and south Asia,supplying obsolete and hard-to-find components to meet their specific needs.

With the principle of “Quality Parts,Customers Priority,Honest Operation,and Considerate Service”,our business mainly focus on the distribution of electronic components. Line cards we deal with include Microchip,ALPS,ROHM,Xilinx,Pulse,ON,Everlight and Freescale. Main products comprise IC,Modules,Potentiometer,IC Socket,Relay,Connector.Our parts cover such applications as commercial,industrial, and automotives areas.

We are looking forward to setting up business relationship with you and hope to provide you with the best service and solution. Let us make a better world for our industry!



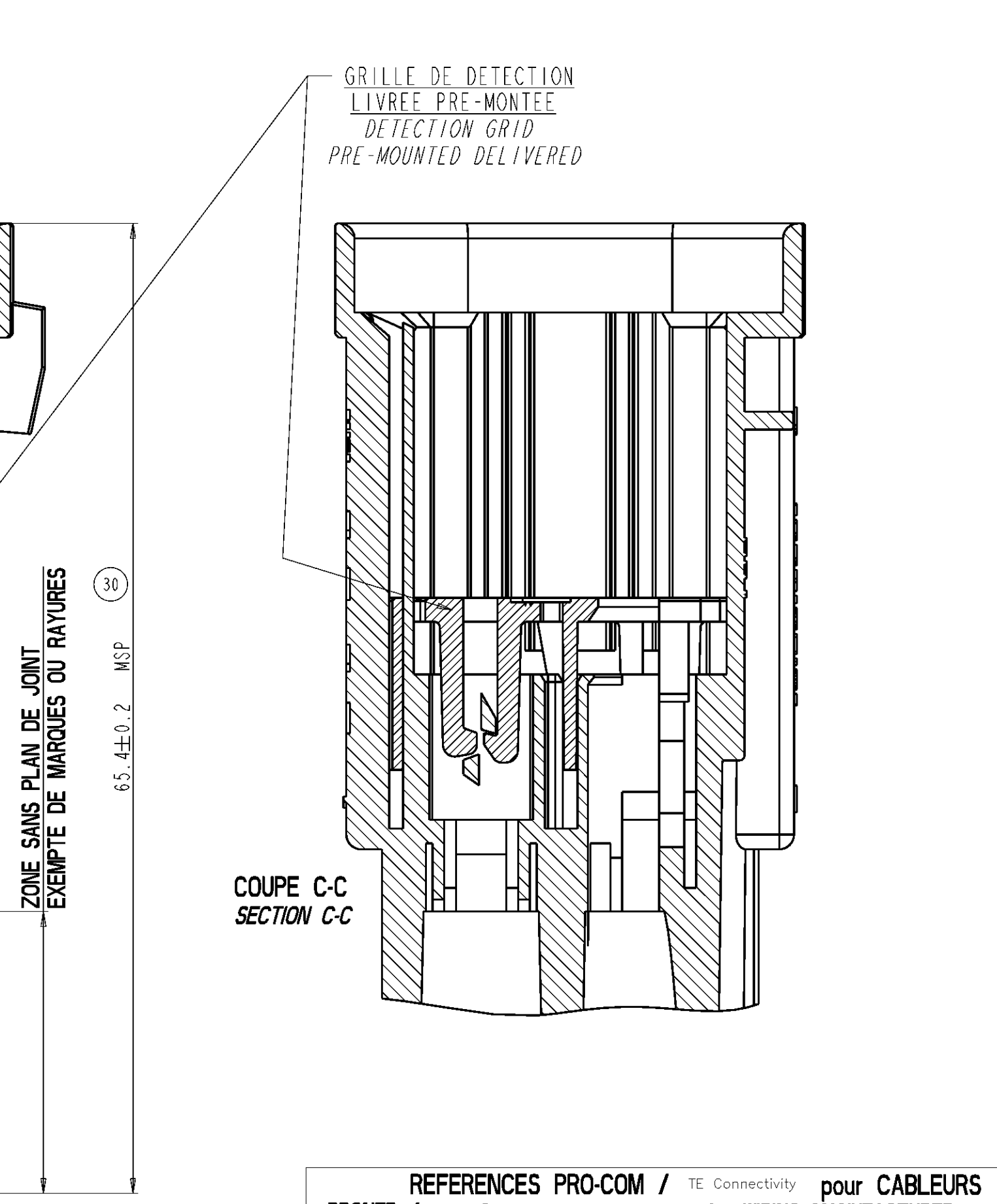
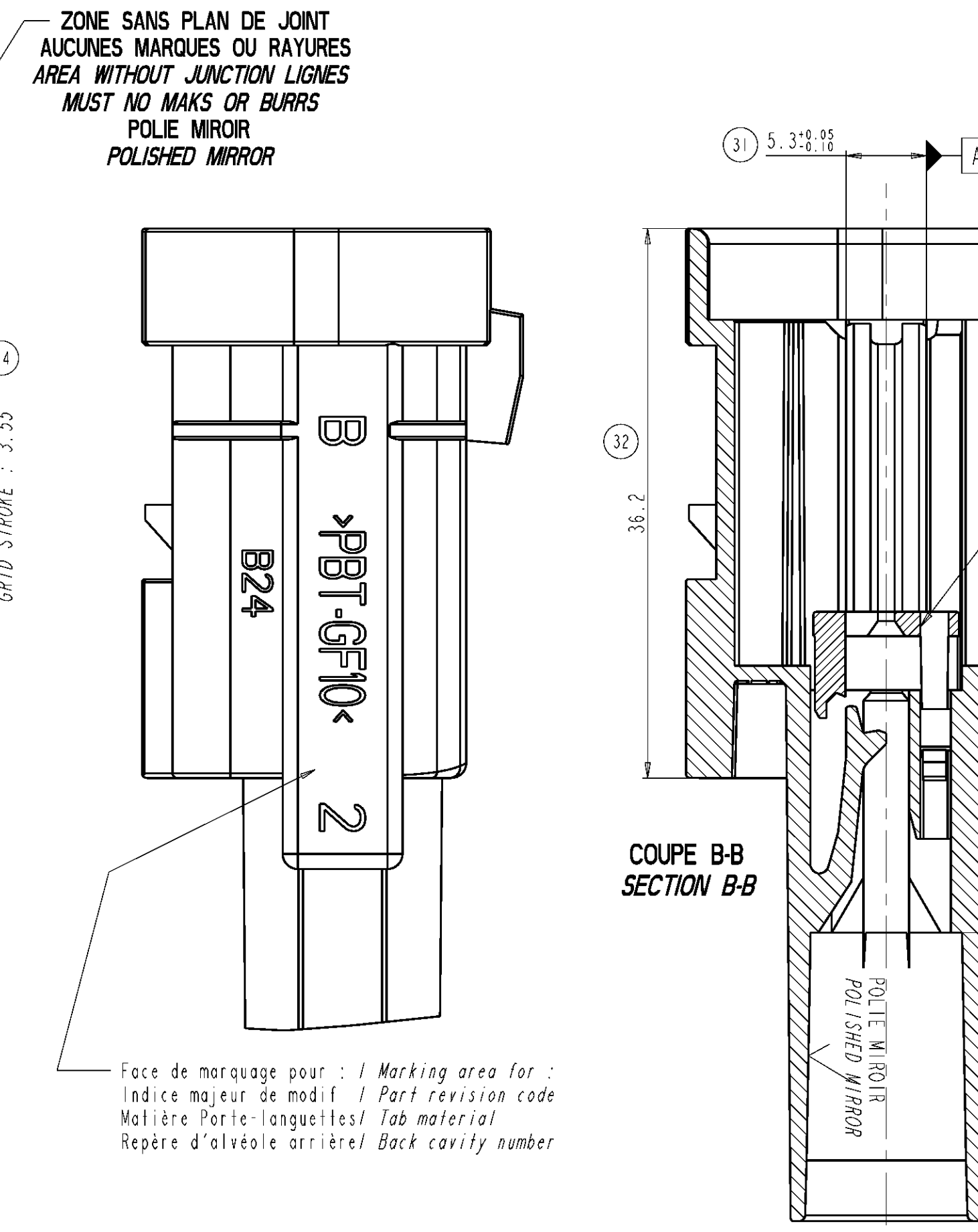
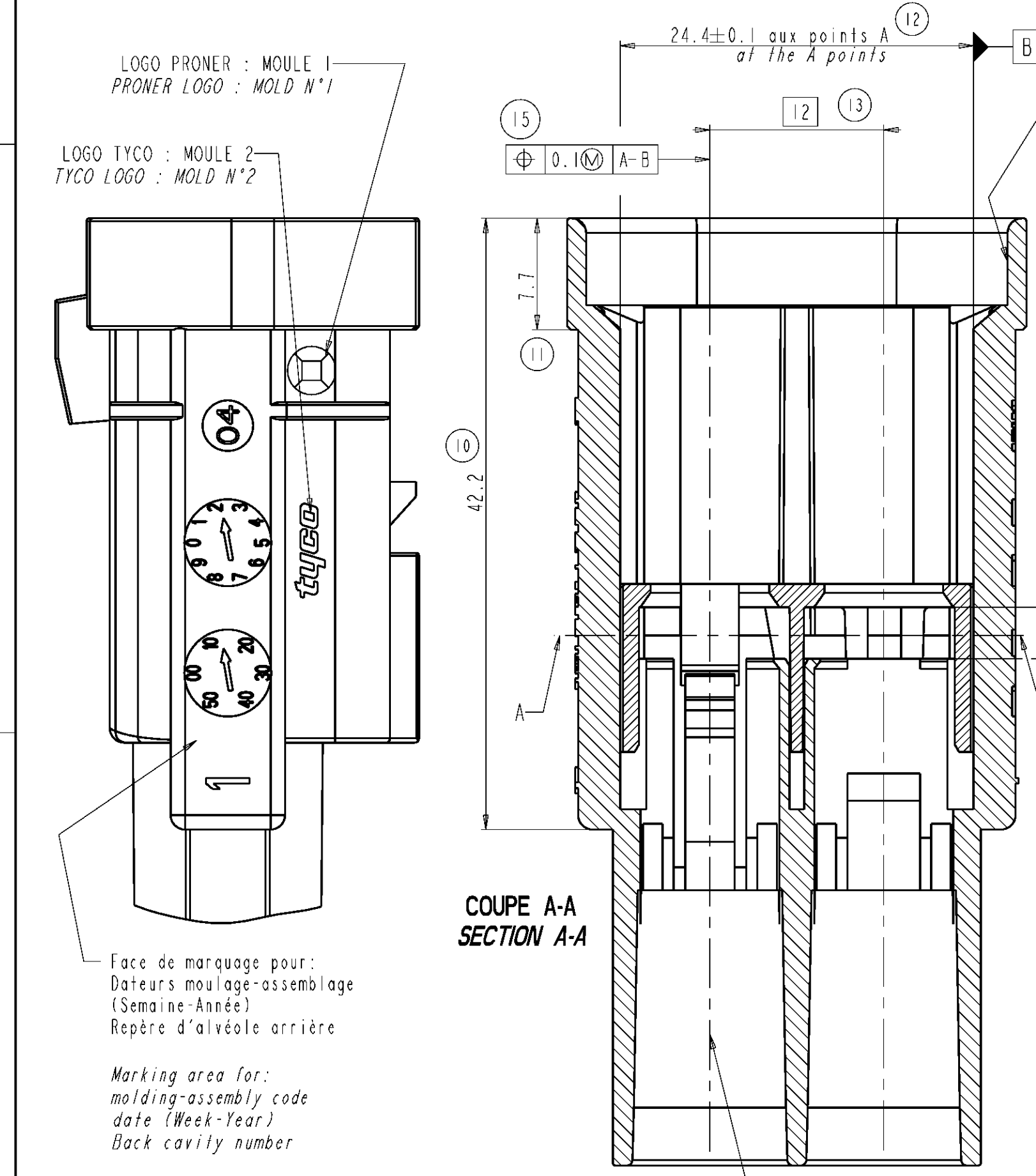
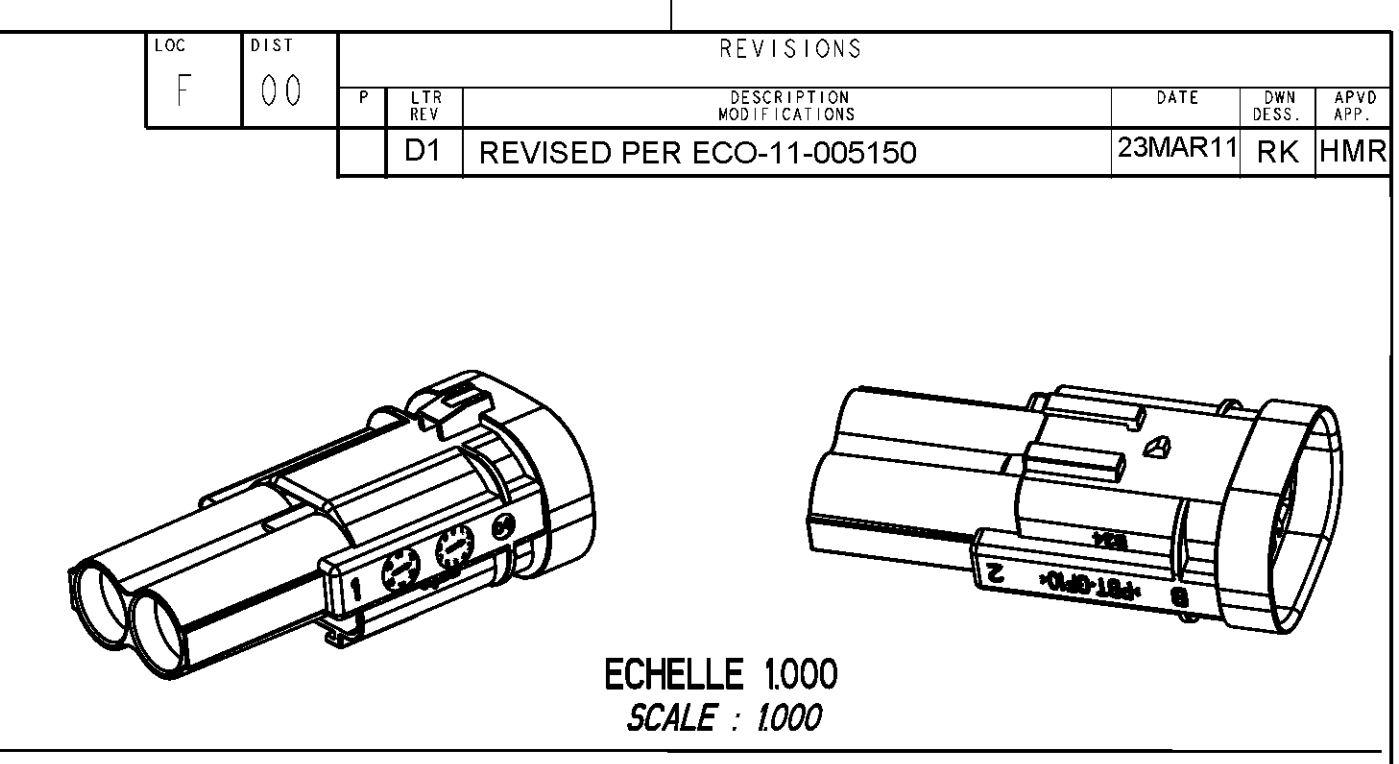
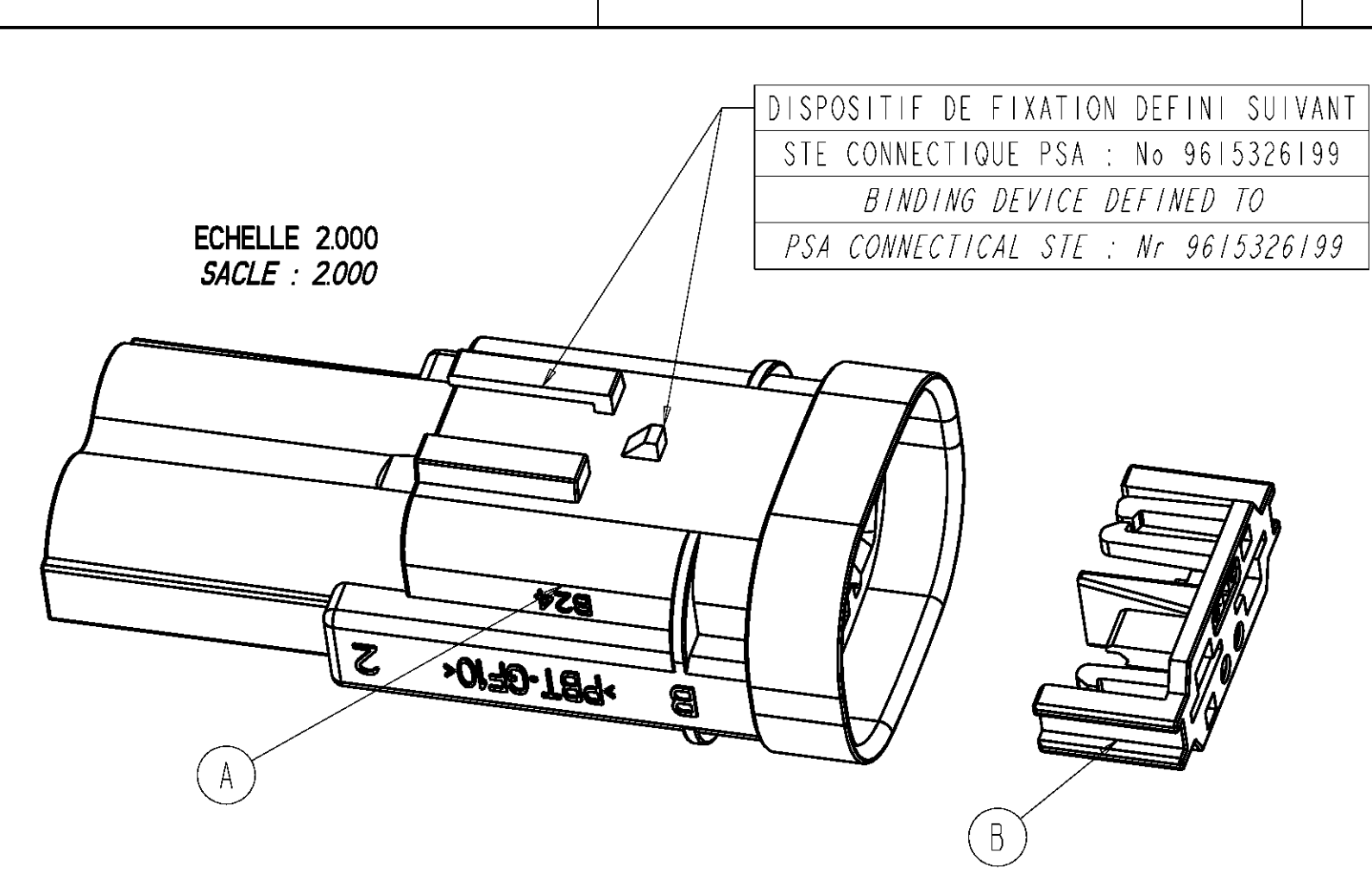
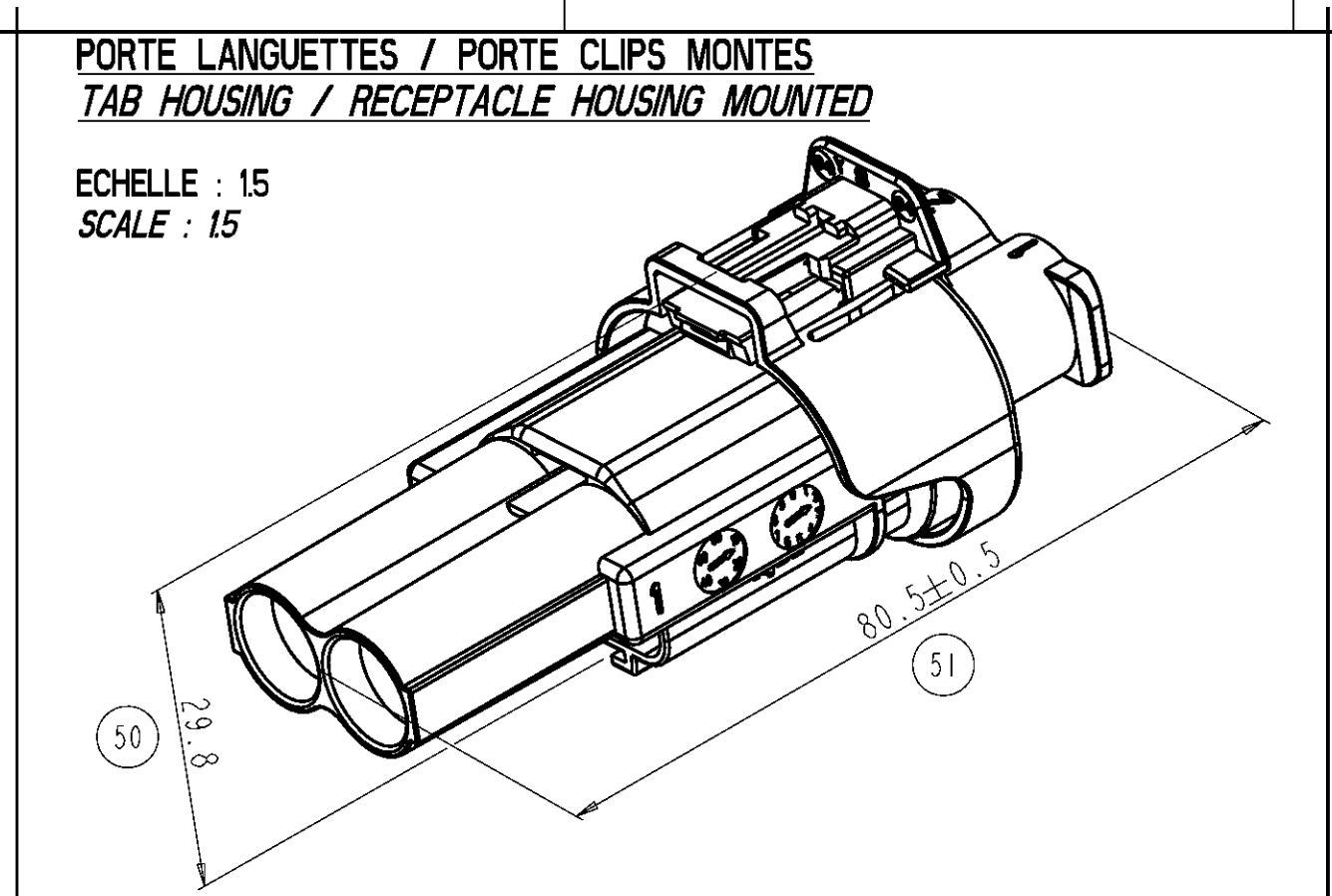
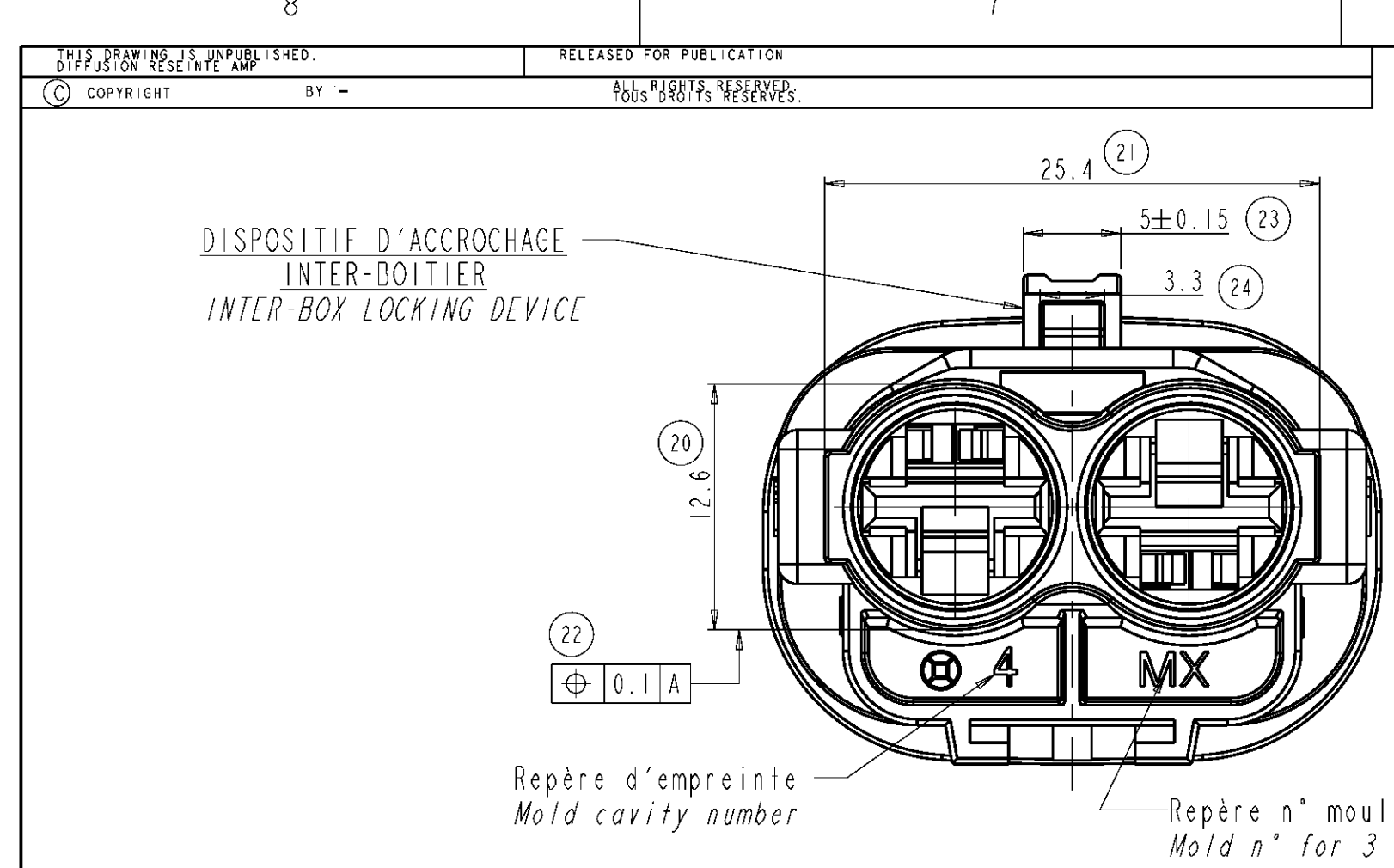
## Contact us

Tel: +86-755-8981 8866 Fax: +86-755-8427 6832

Email & Skype: info@chipsmall.com Web: www.chipsmall.com

Address: A1208, Overseas Decoration Building, #122 Zhenhua RD., Futian, Shenzhen, China





REFERENCES PRO-COM / TE Connectivity pour CABLES  
PRONER / TE Connectivity P/N for WIRING MANUFACTURER

COMPONENTS	REFERENCES	MATIERE	COULEUR
Languelette / Tab 8mm NG1 Section 3 à 6 mm <sup>2</sup> Wire section 3 to 6 mm <sup>2</sup>	P790861 (2) 1544332-1 (3)	Laiton pré-étamé Pre-tinned brass	/
Languelette / Tab 8mm NG1 Section 1 à 10 mm <sup>2</sup> Wire section 1 to 10 mm <sup>2</sup>	P790862 (2) 1544333-1 (3)	Laiton pré-étamé Pre-tinned brass	/
Joint unifiil à sertir Single wire seal Section 3 à 6 mm <sup>2</sup> Wire section 3 to 6 mm <sup>2</sup>	P8010489526 (2) 1544316-1 (3)	Silicone 50sh A autolubrifié Silicone 50sh A self-lubricated	VERT Green
Joint unifiil à sertir Single wire seal Section 1 à 10 mm <sup>2</sup> Wire section 1 to 10 mm <sup>2</sup>	P8010589526 (2) 1544316-2 (3)	Silicone 50sh A autolubrifié Silicone 50sh A self-lubricated	ORANGE Orange
Bouchon Bundle	P8010689526 (2) 1544316-3 (3)	Silicone 50sh A non-lubrifié Silicone 50sh A no-lubricated	BLANC White

REFERENCES PRO-COM / TE CONNECTIVITY ET CODAGES COULEURS ASSOCIES  
PRONER COMATEL / TE Connectivity P/N AND ASSOCIATED CODING COLOR

P8010389536 02	P8010389536 04	P8010389536 06
1544334-1	1544334-2	1544334-3
7±0.1 (40)	3.5±0.05 (41)	3.5±0.05 (42)
NOIR / BLACK	BLEU / BLUE	GRIS / GREY

CARACTERISTIQUES MECANQUES CDC PSA  
PSA MECHANICAL SPECIFICATIONS

VALEURS RESULTS	
EFFORT D'INSERTION LANGUETTE / ALVEOLE (AVEC JOINT) : F < 35N TAB / CAVITY MATING FORCE (WITH SEAL) : F < 35N	27 N MAXI 27 N MAXI
EFFORT DE FERMETURE DU DV : 20N<F<40N SECONDARY-LOCK CLOSING FORCE : 20N<F<40N	39 N MAXI 39 N MAXI
EFFORT D'ACCOUPLLEMENT PC/PL : F < 80N REC HOUSING / TAB HOUSING CONNECTION FORCE : F < 80N	73 N MAXI 73 N MAXI

Rep	Qté	DESIGNATION Description	MATIERE Material	COULEUR Color
B	I	GRILLE DE DETECTION (DV) Detection Grid (DV)	PBT GF-10	JAUNE Yellow
A	I	PORTE-LANGUETTE Tab Housing	PBT GF-10	VOIR TABLEAU See table

OWN/DESIGN 29 JUN 2005  
P. CHARLES  
CHK/VERITE 29 JUN 2005  
L. CORONELLI  
APPRO/APPROVE 29 JUN 2005  
DATE/D 29 JUN 2005

TE Connectivity

STE

NAME PORTE-LANGUETTES 2V 8mm NG1 ETANCHE  
2 WAY SEALED 8mm NG1 TAB HOUSING

PRODUCT SPEC. PRODUCT 108-15346  
SPEC. APPLICATION 411-15697

SIZE FORM A1 CAGE CODE DRAWING NO. NO PLAN RESTRICTED TO  
00779 ©=1544334

WEIGHT MASSE Approx. 14 gr  
411-15697

CUSTOMER DRAWING / PLAN CLIENT POUR REFERENCE

SCALE 3,000

SHEET OF REV D1