



Chipsmall Limited consists of a professional team with an average of over 10 year of expertise in the distribution of electronic components. Based in Hongkong, we have already established firm and mutual-benefit business relationships with customers from,Europe,America and south Asia,supplying obsolete and hard-to-find components to meet their specific needs.

With the principle of "Quality Parts,Customers Priority,Honest Operation,and Considerate Service",our business mainly focus on the distribution of electronic components. Line cards we deal with include Microchip,ALPS,ROHM,Xilinx,Pulse,ON,Everlight and Freescale. Main products comprise IC,Modules,Potentiometer,IC Socket,Relay,Connector.Our parts cover such applications as commercial,industrial, and automotives areas.

We are looking forward to setting up business relationship with you and hope to provide you with the best service and solution. Let us make a better world for our industry!



## Contact us

Tel: +86-755-8981 8866 Fax: +86-755-8427 6832

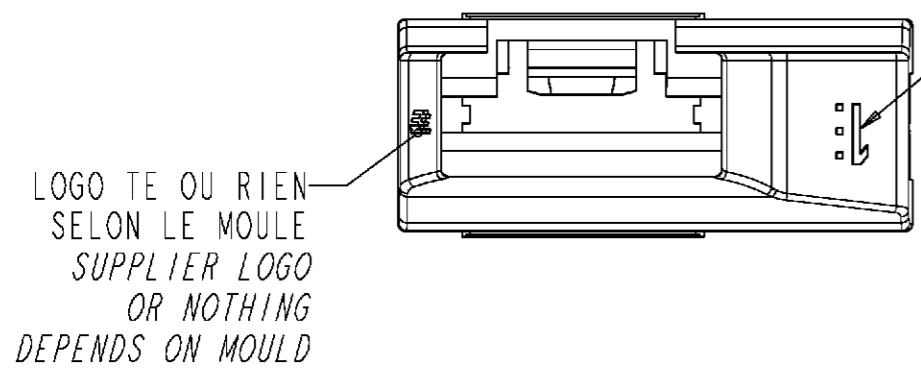
Email & Skype: info@chipsmall.com Web: www.chipsmall.com

Address: A1208, Overseas Decoration Building, #122 Zhenhua RD., Futian, Shenzhen, China

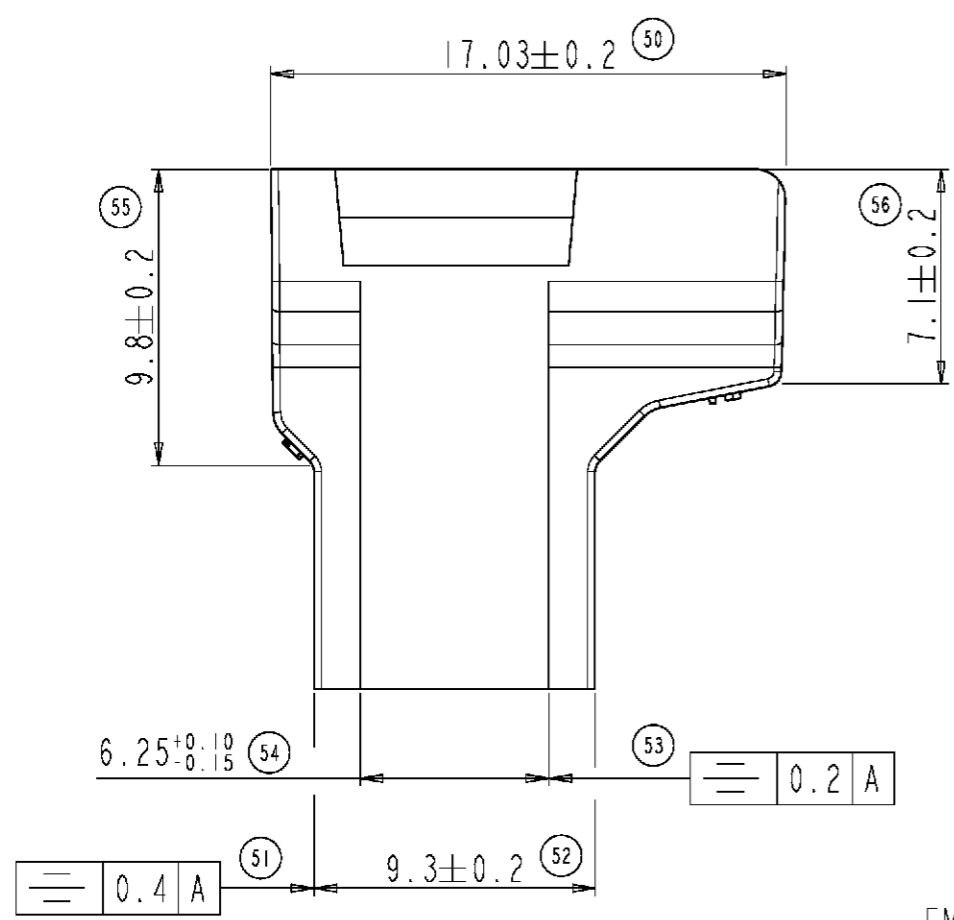


THIS DRAWING IS UNPUBLISHED. RELEASED FOR PUBLICATION 2011  
 © COPYRIGHT - 2011 ALL RIGHTS RESERVED.

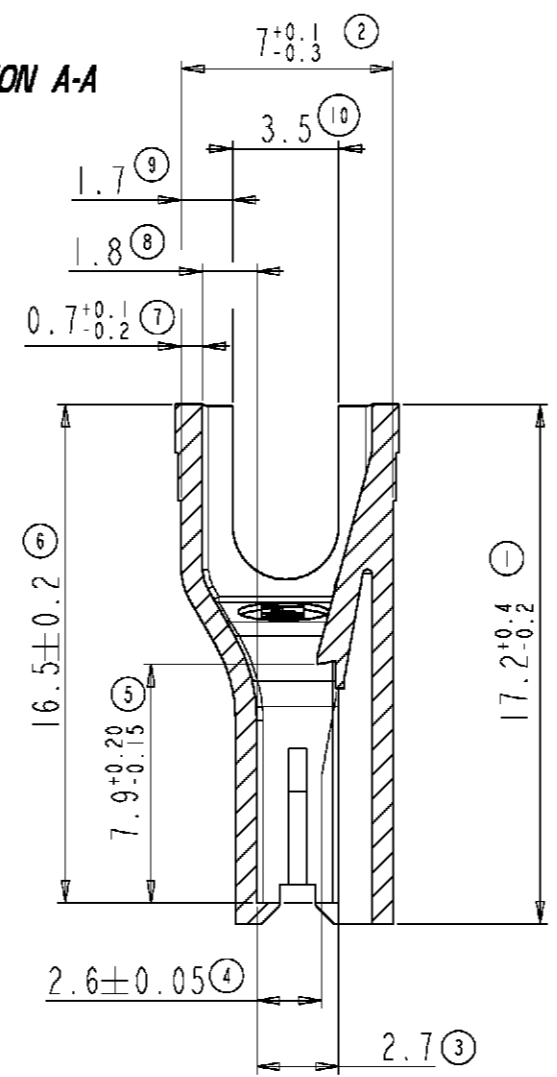
LOC	DIST	REVISIONS			
P	LTR	DESCRIPTION	DATE	DWN	APVD
F	00	G	REVIEW ALL DRAWING AND TE LOGO	13OCT2010	PF s JD r
		H	CHANGE DATE CODE AND CAVITY REPERE SIDE	15FEB2011	PF s JD r
		J	CHANGE MATERIAL WAS PCT-GF30	08NOV2011	PF s JD r



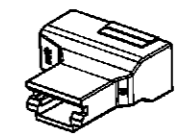
REPERES D'EMPREINTE ET MOULE  
 CAVITY AND MOULD REPERES



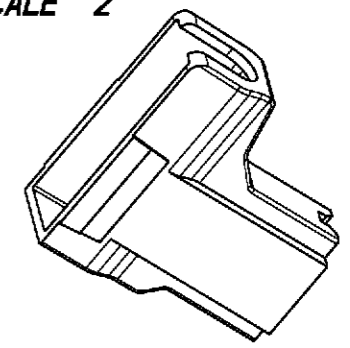
SECTION A-A



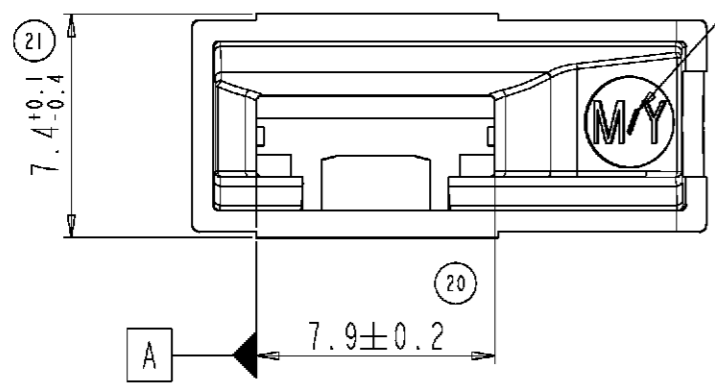
SCALE 1



SCALE 2



EMPLACEMENT DATEUR MOIS/ANNEE  
 OU LOGO TE, SELON LE MOULE  
 DATE CODE MONTH/YEAR  
 OR TE LOGO AREA, DEPENDS ON MOULD



TE PN	REF CLIENT CUSTOMER PN	MATIERE MATERIAL	COULEUR COLOR
1544351-1		PA4.6 GF30	NOIR / BLACK

THIS DRAWING IS A CONTROLLED DOCUMENT.		DWN L. CORONELLI 09DEC2004	TE Connectivity	
DIMENSIONS: mm		CHK P. FLORES 09DEC2004		
TOLERANCES UNLESS OTHERWISE SPECIFIED:		APVD J. DAHER 09DEC2004	NAME CAP POUR CLIP DRAPEAU 6.35 1 VOIE 1 WAY 6.35mm FLAG RECEPTACLE HOUSING	
 1 PLC ±0.1 2 PLL ± 3 PLC ± 4 PLC ± ANGLES ±5° FINISH -		PRODUCT SPEC -	RESTRICTED TO -	
MATERIAL SEE TABLE		APPLICATION SPEC -	SIZE A3	CAGE CODE -
		WEIGHT 0.7 g	DRAWING NO C-1544351	
		CUSTOMER DRAWING	SCALE 4.0	SHEET 1 OF 1 REV J