



Chipsmall Limited consists of a professional team with an average of over 10 year of expertise in the distribution of electronic components. Based in Hongkong, we have already established firm and mutual-benefit business relationships with customers from,Europe,America and south Asia,supplying obsolete and hard-to-find components to meet their specific needs.

With the principle of “Quality Parts,Customers Priority,Honest Operation,and Considerate Service”,our business mainly focus on the distribution of electronic components. Line cards we deal with include Microchip,ALPS,ROHM,Xilinx,Pulse,ON,Everlight and Freescale. Main products comprise IC,Modules,Potentiometer,IC Socket,Relay,Connector.Our parts cover such applications as commercial,industrial, and automotives areas.

We are looking forward to setting up business relationship with you and hope to provide you with the best service and solution. Let us make a better world for our industry!



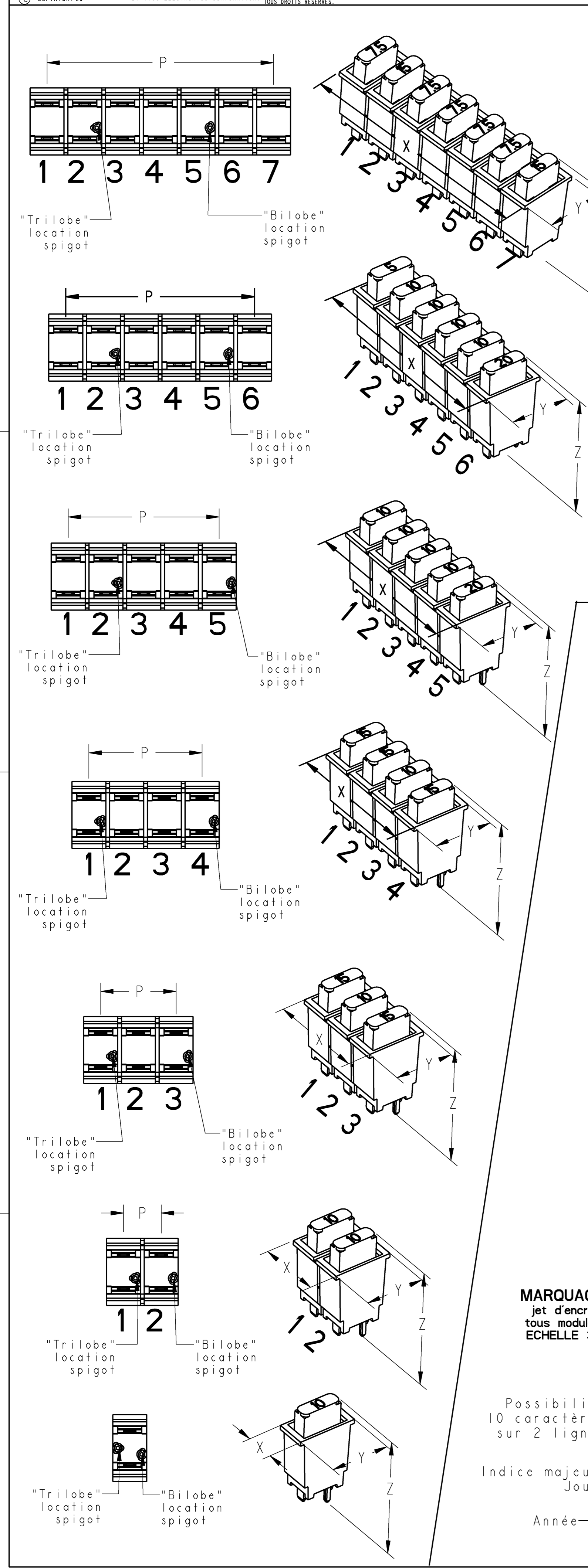
Contact us

Tel: +86-755-8981 8866 Fax: +86-755-8427 6832

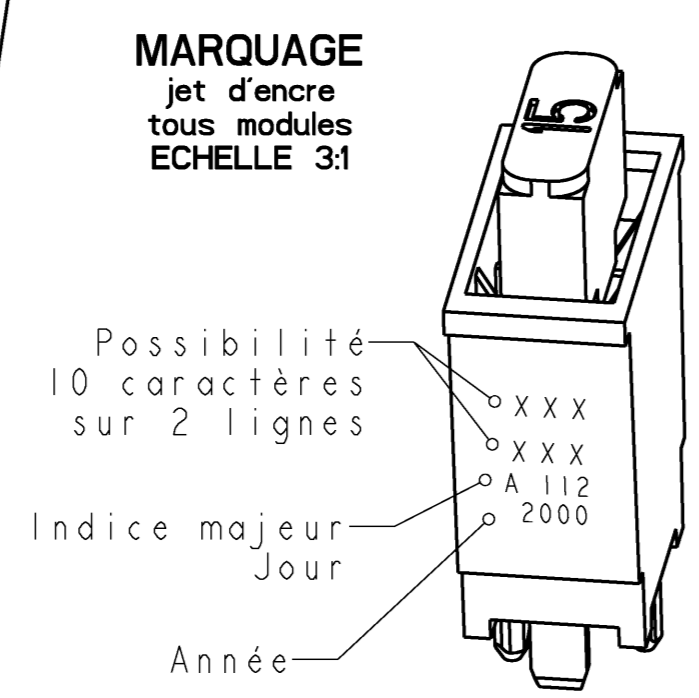
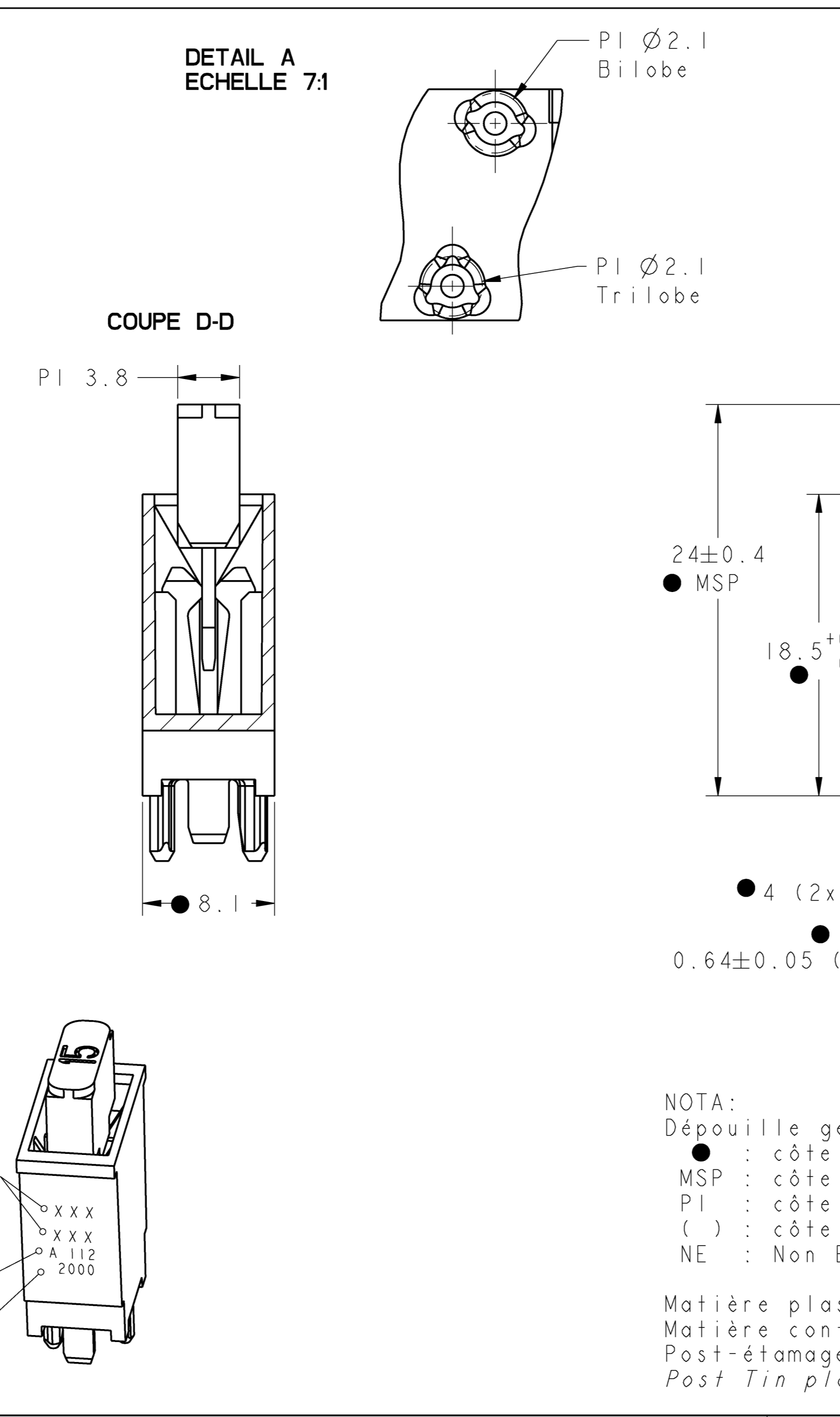
Email & Skype: info@chipsmall.com Web: www.chipsmall.com

Address: A1208, Overseas Decoration Building, #122 Zhenhua RD., Futian, Shenzhen, China



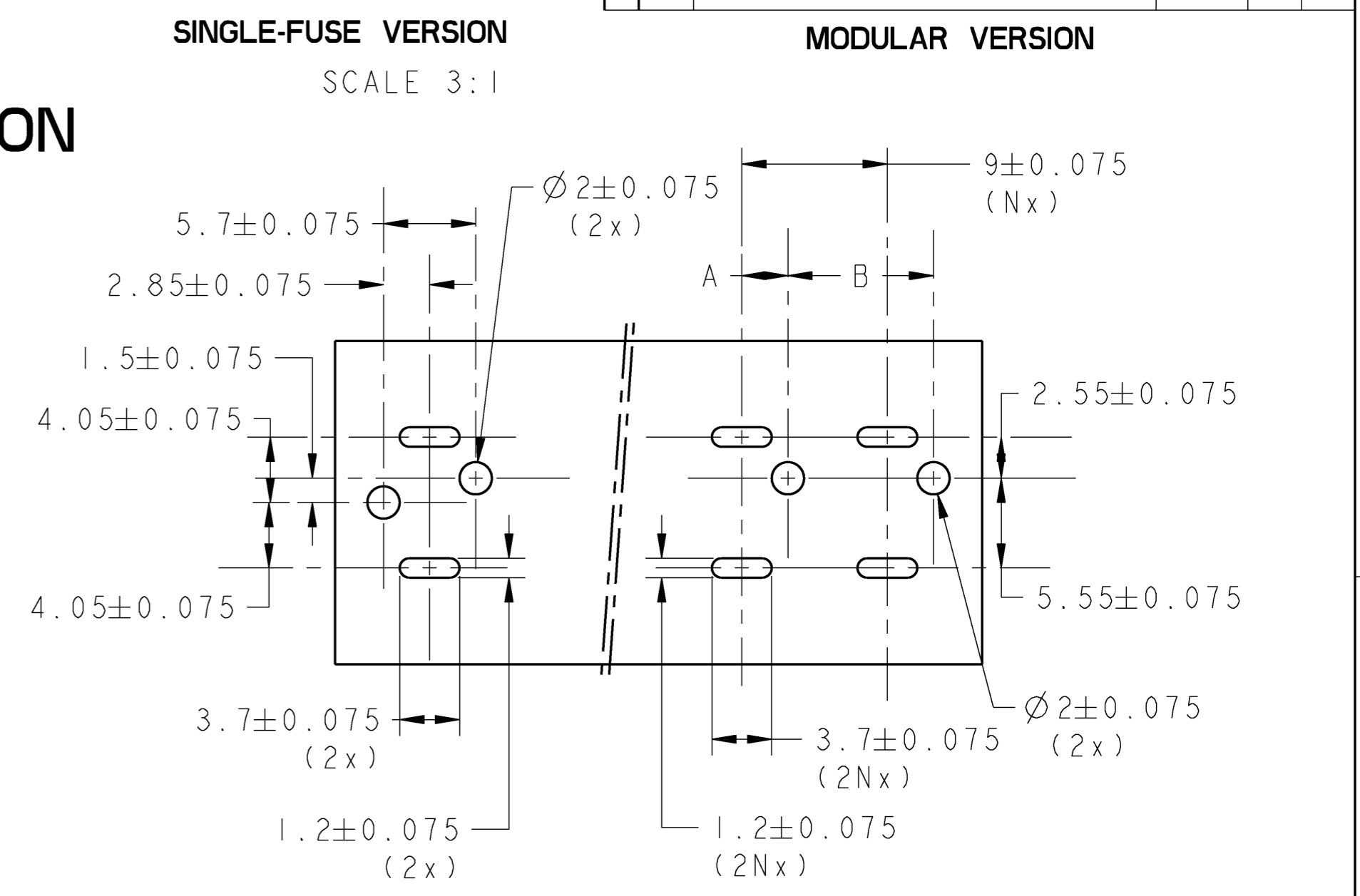


P/N TYCO	fuse rating / "trilobe" location spigot							Remarques / Observations	Dimension mm			
	1	2	3	4	5	6	7		X	Y	Z	P
0-1544548-1	10 A	/	/	/	/	/	/		8.1			/
0-1544548-2	20 A	/	/	/	/	/	/		±0.1			
0-1544548-3	15 A	/	/	/	/	/	/					
1-1544548-9	NE	NE	/	/	/	/	/					
0-1544548-4	10 A	10 A	/	/	/	/	/		17.1		9	
0-1544548-5	10 A	15 A	/	/	/	/	/		±0.1		±0.1	
0-1544548-6	15 A	15 A	/	/	/	/	/					
NON LANCEE	15 A	10 A	15 A	/	/	/	/					
NON LANCEE	15 A	20 A	10 A	/	/	/	/		26.1		18	
NON LANCEE	10 A	10 A	15 A	/	/	/	/		±0.1		±0.1	
NON LANCEE	20 A	20 A	20 A	/	/	/	/					
0-1544548-8	10 A	15 A	10 A	10 A	/	/	/		35.1	16	27	
1-1544548-4	15 A	7.5A	7.5A	15 A	/	/	/		±0.1	±0.1	±0.1	
2-1544548-3	15 A	10A	7.5A	10 A	/	/	/					
0-1544548-9	10 A	10 A	10 A	10 A	20 A	/	/		44.1		36	
1-1544548-0	10 A	10 A	10 A	10 A	NE	/	/	(2x3pts)	±0.15		±0.15	
1-1544548-5	7.5A	7.5A	7.5A	20 A	10 A	15 A	/					
1-1544548-6	10 A	15 A	25 A	15 A	15 A	7.5A	/					
1-1544548-1	5 A	10 A	10 A	NE	10 A	20 A	/		53.1		45	
1-1544548-2	7.5A	7.5A	15 A	5 A	7.5 A	5 A	/		±0.15		±0.15	
1-1544548-3	NE	NE	10 A	NE	NE	NE	/					
2-1544548-0	15 A	15 A	15 A	15 A	10 A	25 A	/					
2-1544548-1	10 A	7.5A	7.5A	25 A	7.5A	15 A	/	(2x3pts)				
1-1544548-7	7.5A	15 A	7.5A	7.5A	7.5A	7.5A	15 A		62.1		54	
2-1544548-2	7.5A	7.5A	7.5A	15 A	7.5A	7.5A	15 A		±0.15		±0.15	



DRILLING SPECIFICATION

Version	A ±0.075	B ±0.075	N
1	See facing		
2	2.85	9	2
3	2.85	18	3
4	2.85	27	4
5	11.85	27	5
6	11.85	27	6
7	11.85	27	7



LOC	DIST	REVISIONS						
F	00	P	LYH	REV	DESCRIPTION	DATE	DWN	APPV
		O			RELEASED FOR PRODUCTION	11DEC2001	H.VN	J.DR
		A			New TYCO drawing, it was Siemens restricted	13NOV2002	P.Cs	J.Dr
		B			New fuse (Littelfuse), Tin spec without Pb	08sep2003	P.Cs	J.Dr
		C			Added a 2 pts P/N without fuse	24-jan-04	P.Cs	J.Dr
					Removed 10A on ref 1-1544548-1 (N°4)			
		D			Added new references	07-jun-06	P.Cs	J.Dr

NOTA:
 Dépouille générale / General draft : 1°
 ● : côte fonctionnelle / fonctionnal dimension
 MSP : côte suivie en MSP / SPS following dimension
 PI : côte pour information / for information
 () : côte répétée / repeted dimension
 NE : Non Equipé / without fuse

Matière plastique / plastic material : PBT 10% FV HB
 Matière contact / contact material : CuFe2P
 Post-étamage : Sn (3à5µ) sur sous couche nickel
 Post Tin plated : Sn (3 to5µ) under nickel layer

Conforme au plan fusible / According to the fuse drawing:
 "Littlefuse" N° 0297000 ind: B
 Force d'insertion d'un module sur calibre acier /
 matting force on steel gauge
 avec diamètre nominal / with nominal diameter = 2mm :
 8N √ FI √ 60N

DIMENSIONS: mm TOLERANCES UNLESS OTHERWISE SPECIFIED: 1. P.L.C./DEC: ±0.01 2. P.L.C./DEC: ±0.01 3. P.L.C./DEC: ±0.001 4. P.L.C./DEC: ±0.0001 ±1° ANGLES:		TOLERANCES UNLESS OTHERWISE SPECIFIED: 1. P.L.C./DEC: ±0.01 2. P.L.C./DEC: ±0.01 3. P.L.C./DEC: ±0.001 4. P.L.C./DEC: ±0.0001 ±1° ANGLES:		FINISH / FINITION: see nota / voir nota		DWN / DRESSINE: 13NOV2002 P. CHARLES CHK / VÉRIFIÉ: C. GINET APV / APPROUVÉ: J. DABIEZ ZONOV2002 PRODUCT SPEC / SPEC. PRODUIT: APPLICATION SPEC / SPEC. APPLICATION: 107-15514 WEIGHT / MASSE APPROX.: 1=2.70gr CUSTOMER DRAWING / PLAN CLIENT: UN QUÉMENT POUR RÉFÉRENCE		TYCO ELECTRONICS France SAS BP 39, 95301 CERGY-PONTOISE Cedex TYCO Electronics NAME / TYPE: MINI FUSE HOLDER BOITIER MINI-FUSE SIZE / FORMAT: A1 CAGE CODE / DRAWING NO. / N° PLAN: 00779 / 1544548 RESTRICTED TO RESERVE A / REV D	
---	--	--	--	--	--	--	--	--	--