



Chipsmall Limited consists of a professional team with an average of over 10 year of expertise in the distribution of electronic components. Based in Hongkong, we have already established firm and mutual-benefit business relationships with customers from,Europe,America and south Asia,supplying obsolete and hard-to-find components to meet their specific needs.

With the principle of “Quality Parts,Customers Priority,Honest Operation,and Considerate Service”,our business mainly focus on the distribution of electronic components. Line cards we deal with include Microchip,ALPS,ROHM,Xilinx,Pulse,ON,Everlight and Freescale. Main products comprise IC,Modules,Potentiometer,IC Socket,Relay,Connector.Our parts cover such applications as commercial,industrial, and automotives areas.

We are looking forward to setting up business relationship with you and hope to provide you with the best service and solution. Let us make a better world for our industry!



Contact us

Tel: +86-755-8981 8866 Fax: +86-755-8427 6832

Email & Skype: info@chipsmall.com Web: www.chipsmall.com

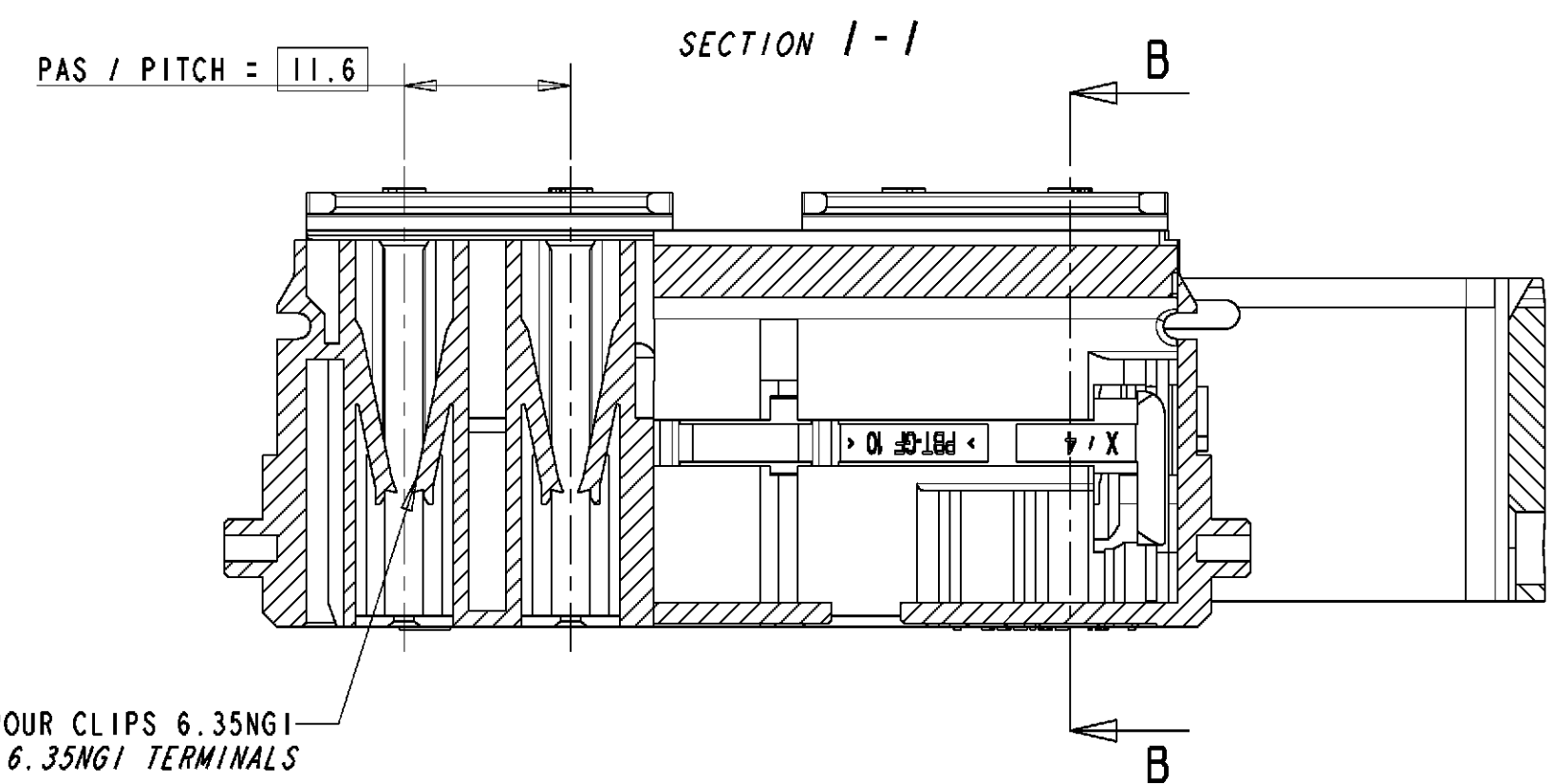
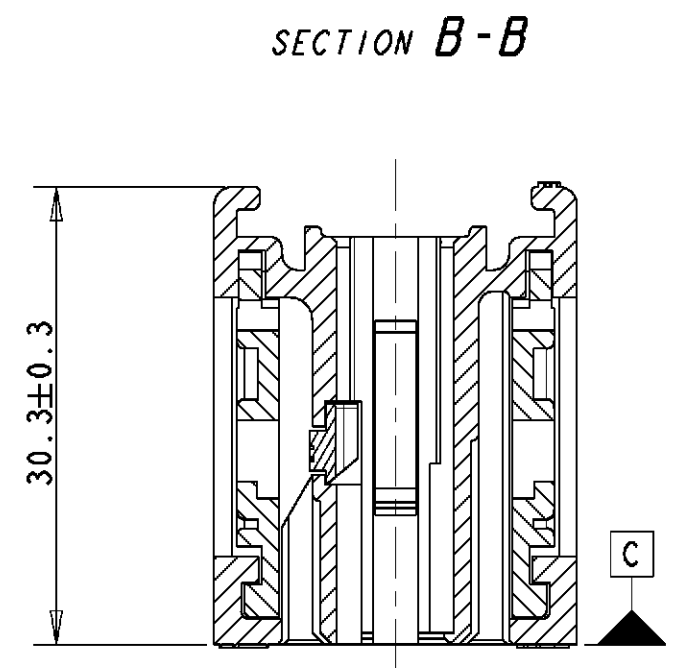
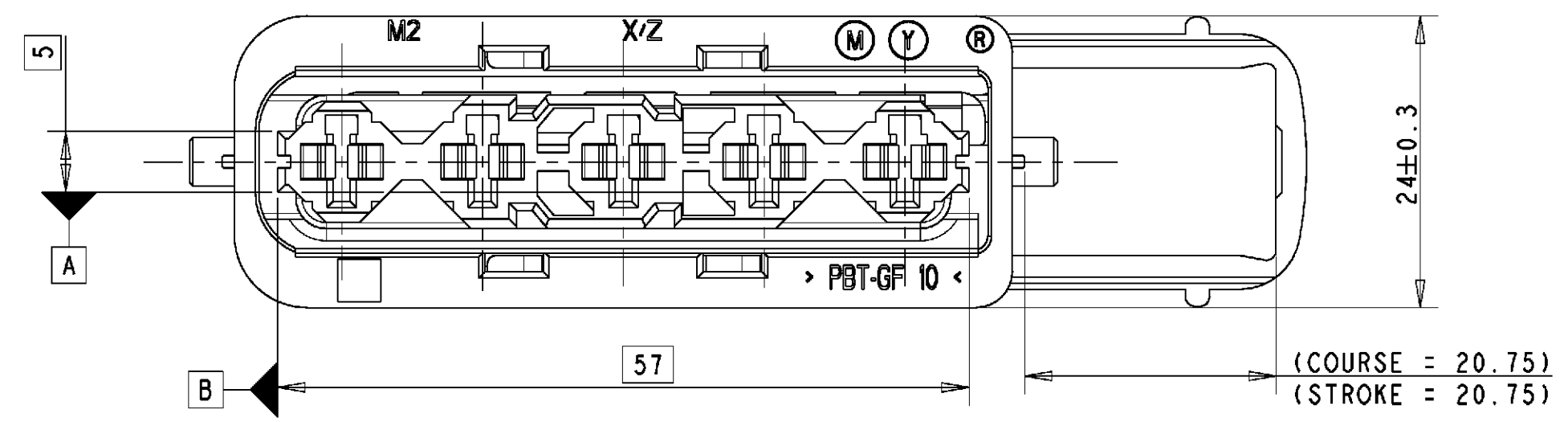
Address: A1208, Overseas Decoration Building, #122 Zhenhua RD., Futian, Shenzhen, China



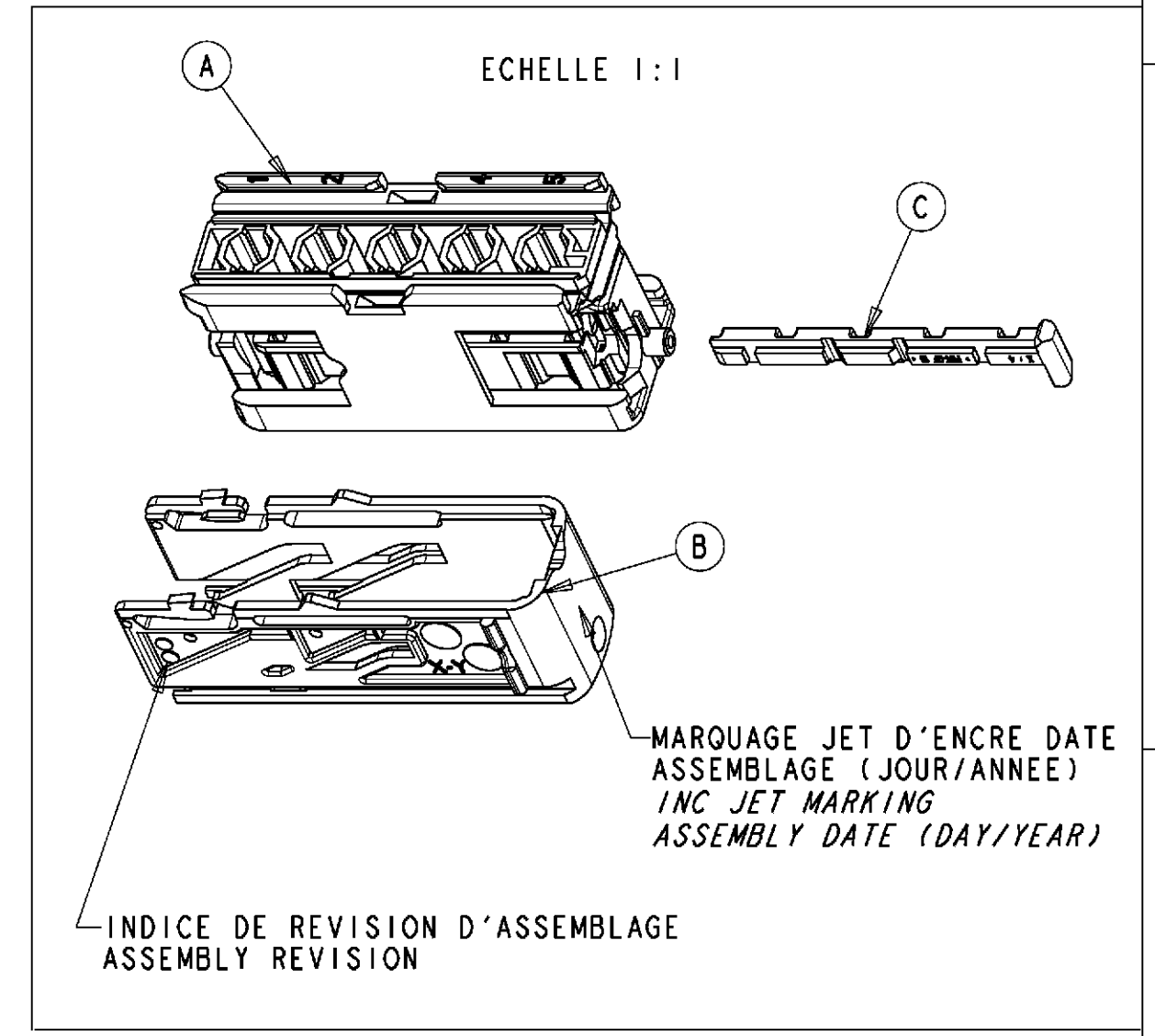
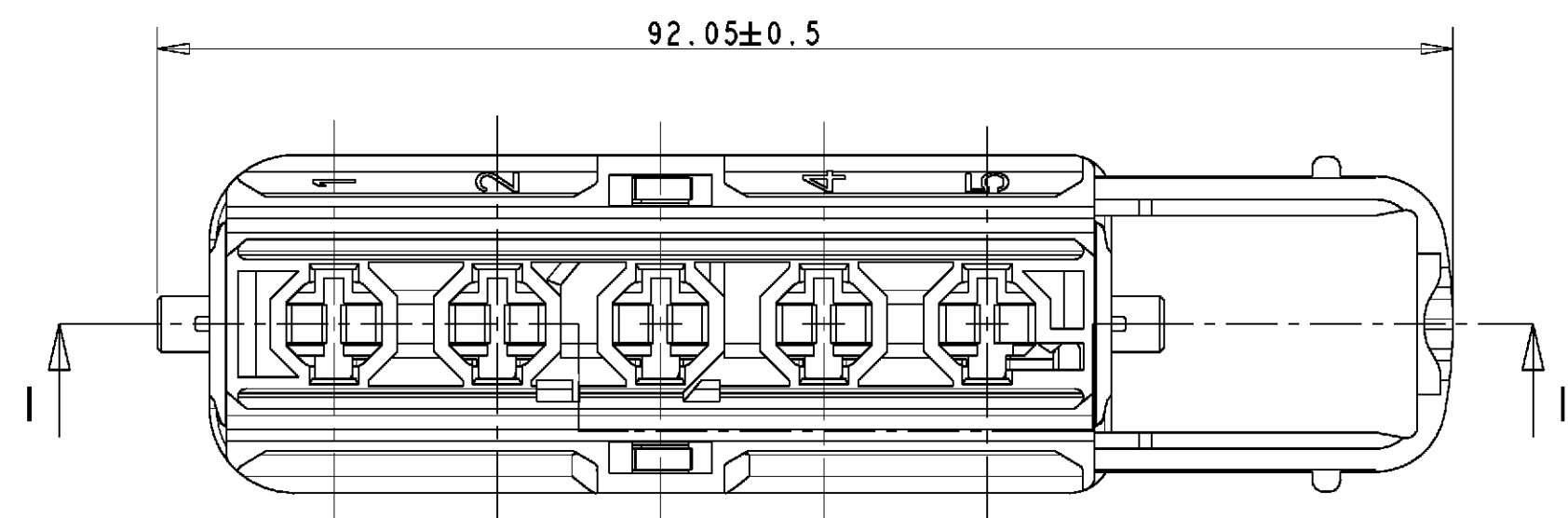
THIS DRAWING IS UNPUBLISHED.
 DIFFUSION RESTREINTE
 © COPYRIGHT 2011

RELEASED FOR PUBLICATION
 LIBRE A LA DIFFUSION
 ALL RIGHTS RESERVED.
 TOUS DROITS RESERVES.

LOC	DIST	REVISIONS					
F	00	P	LTR	DESCRIPTION MODIFICATIONS	DATE	DWN DESS.	APVD APP.
		O		See drawings proner comatel 4252E200 and 4252E201	14-june-02	PF s	JDr
		A		See EC number ER00-9019-02	14-june-02	PF s	JDr
		B		Add inc jet (day/year)	29-sept-06	PF s	JDr
		C		UPDATE 3D VIEW OF COMPONENT "B"	10AUG2011	PF s	JDr



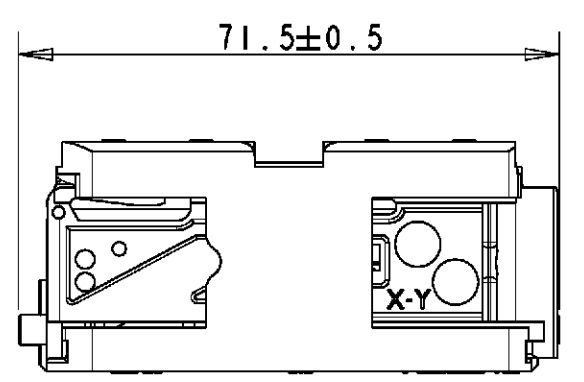
5 ALVEOLES POUR CLIPS 6.35NGI
 5 CAVITIES FOR 6.35NGI TERMINALS
 Ø 0.6 A B C



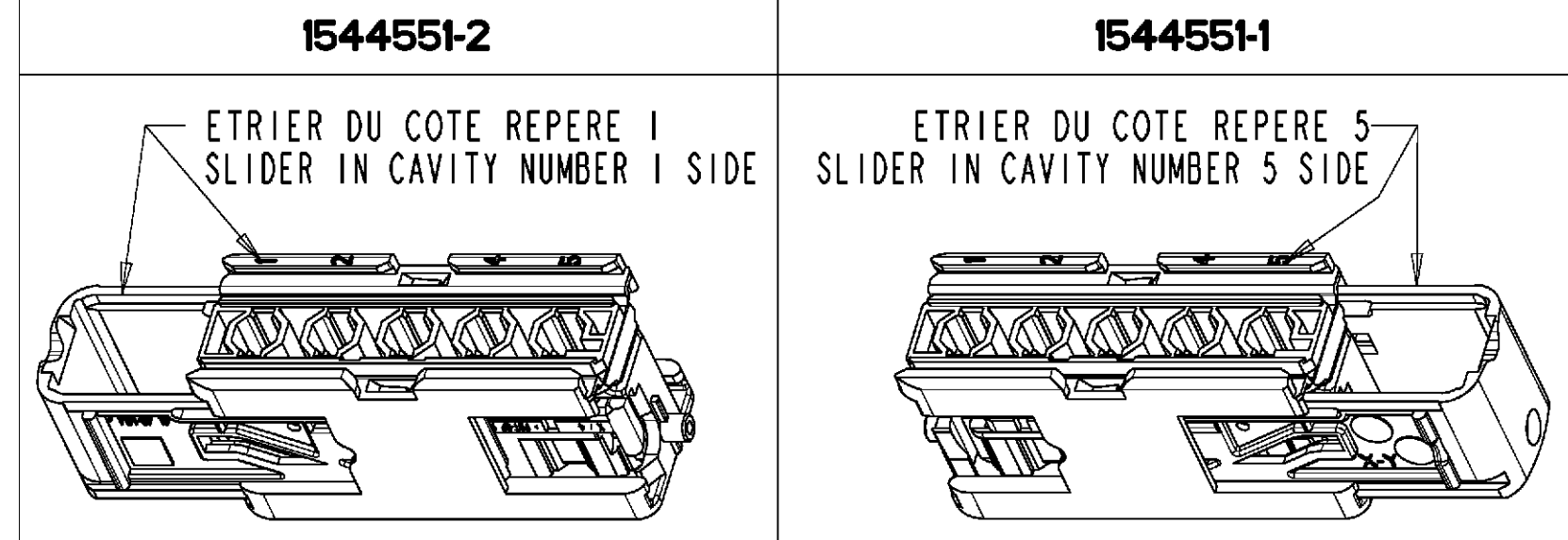
NOTA / NOTE :
 - CONDITIONNEMENT, VOIR 107-15595
 - PACKAGING, SEE 107-15595

REPERE REPERE	DESIGNATION DESCRIPTION	MATIERE MATERIAL	COULEUR COLOUR	Qte. Qty.
C	VERROU SECONDAIRE SECONDARY LOCKING	PBT GF 10	JAUNE YELLOW	1
B	ETRIER SLIDER	PBT GF 10	GRIS GREY	1
A	PORTE CLIPS TERMINAL RECEPTACLE HOUSING	PBT GF 10	NOIR BLACK	1

**DIMENSIONS CONNECTEUR FERME
 CLOSED CONNECTOR DIMENSIONS**



REFERENCES / PART NUMBER



THIS DRAWING IS A CONTROLLED DOCUMENT.
 CE PLAN EST UN DOCUMENT CONTROLE PAR TYCO ELECTRONICS. IL EST
 INSCRIPTIBLE D'UNE REVISE, CONTACTER LE SERVICE TECHNIQUE
 DE TYCO ELECTRONICS POUR OBTENIR LA DERNIERE REVISION.

DIMENSIONS:
 mm

TOLERANCES UNLESS OTHERWISE SPECIFIED:
 TOLERANCES NON SPECIFIEES (SAUF NB DE DECIMALES)
 mm: 0.1, 0.2, 0.3, 0.4, 0.5, 0.6, 0.8, 1.0, 1.2, 1.5, 2.0, 2.5, 3.0, 4.0, 5.0, 6.0, 8.0, 10.0, 12.5, 16.0, 20.0, 25.0, 32.0, 40.0, 50.0, 63.0, 80.0, 100.0, 125.0, 160.0, 200.0, 250.0, 320.0, 400.0, 500.0, 630.0, 800.0, 1000.0

ANGLES: 2°

MATERIAL/MATIERE: see table

FINISH/FINITION: ±0.2

DWN / DESSINE: P. FLORES 14 JUN 02
 CHK / VERIFIE: C. GINET 14 JUN 02
 APVD / APPROUVE: J. DAHER 14 JUN 02

NAME / TITRE: CONNECTEUR 5V CLIPS 6.35NGI
 CONNECTOR 5 WAY FOR 6.35NGI TERMINAL

PRODUCT SPEC: 108-15368
 SPEC. PRODUIT: 108-15368
 APPLICATION SPEC: 411-15658
 SPEC. APPLICATION: 411-15658

SIZE / FORMAT: A2
 CAGE CODE: 00779
 DRAWING NO / No PLAN: C-1544551

WEIGHT / MASSE APPROX.: 0.027 kg
 CUSTOMER DRAWING / PLAN CLIENT

UNIQUEMENT POUR REFERENCE / ECHELLE 2:1
 SHEET / FEUILLE: 1 OF 1
 REV: C

STE TE Connectivity