



Chipsmall Limited consists of a professional team with an average of over 10 year of expertise in the distribution of electronic components. Based in Hongkong, we have already established firm and mutual-benefit business relationships with customers from,Europe,America and south Asia,supplying obsolete and hard-to-find components to meet their specific needs.

With the principle of “Quality Parts,Customers Priority,Honest Operation,and Considerate Service”,our business mainly focus on the distribution of electronic components. Line cards we deal with include Microchip,ALPS,ROHM,Xilinx,Pulse,ON,Everlight and Freescale. Main products comprise IC,Modules,Potentiometer,IC Socket,Relay,Connector.Our parts cover such applications as commercial,industrial, and automotives areas.

We are looking forward to setting up business relationship with you and hope to provide you with the best service and solution. Let us make a better world for our industry!



Contact us

Tel: +86-755-8981 8866 Fax: +86-755-8427 6832

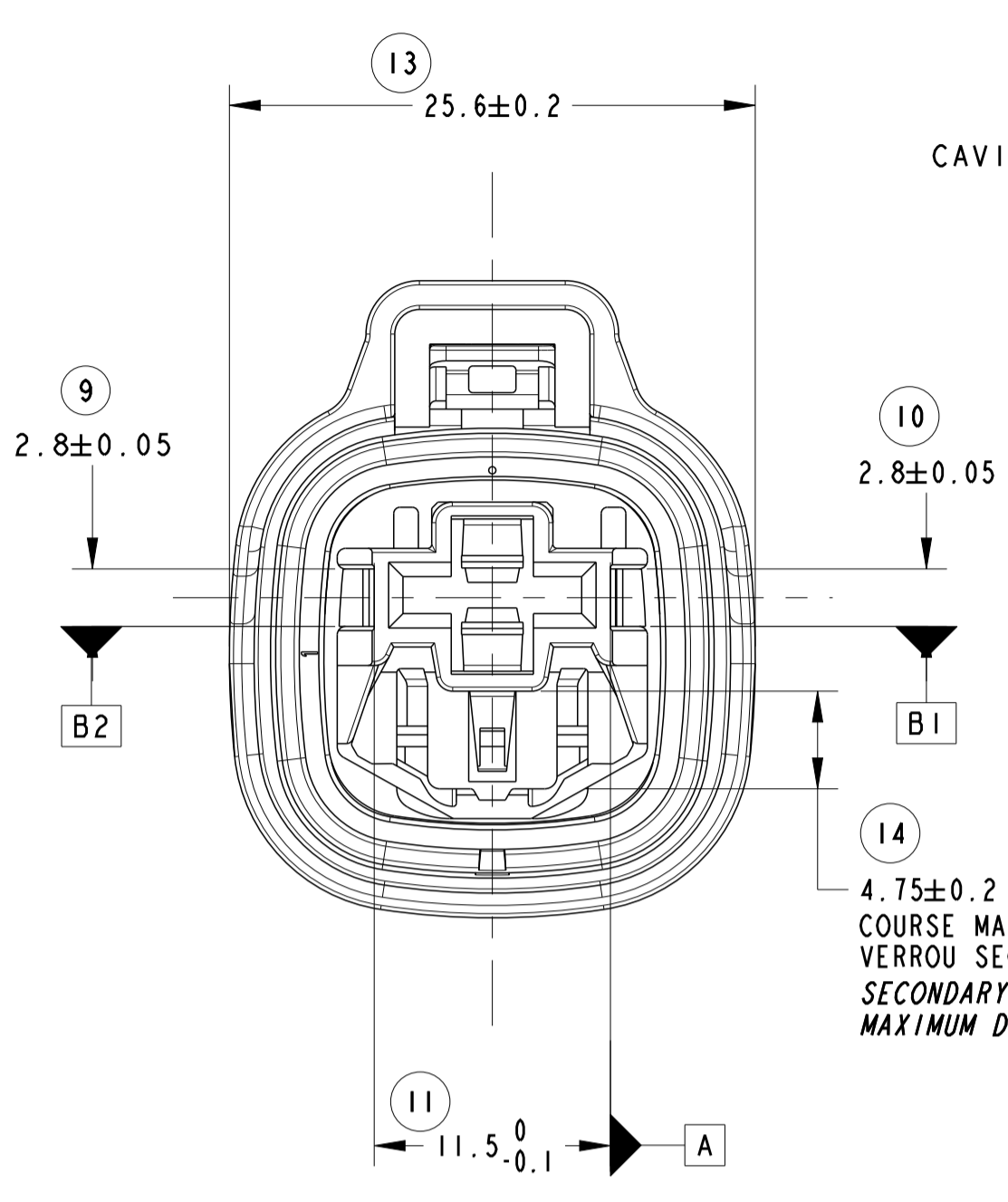
Email & Skype: info@chipsmall.com Web: www.chipsmall.com

Address: A1208, Overseas Decoration Building, #122 Zhenhua RD., Futian, Shenzhen, China

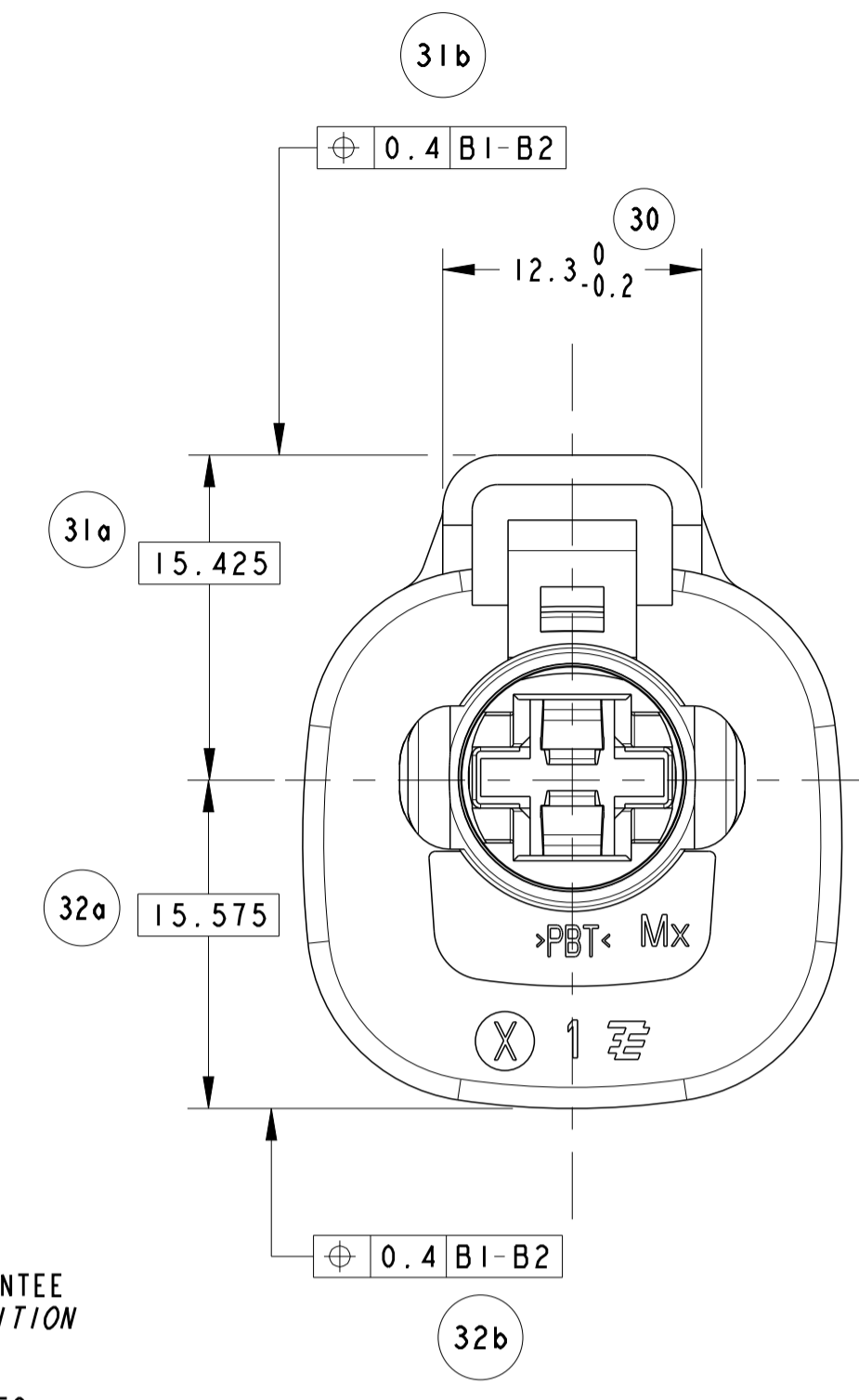
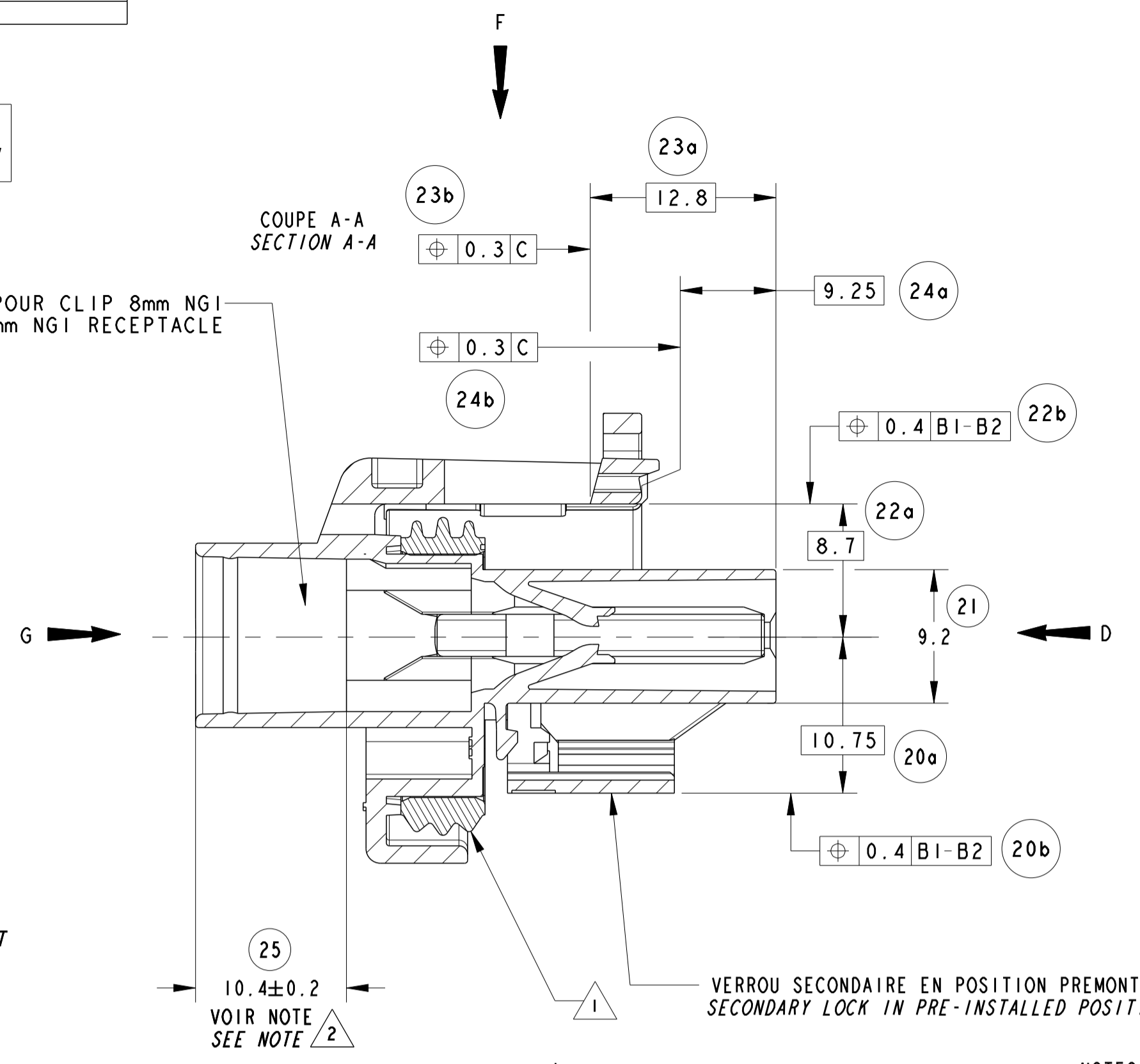


LOC	DIST	REVISIONS				
P	LYR	REV	DESCRIPTION	DATE	DWN	APPV
0		0	FIRST ISSUE	22SEP2003	T.Gr	J.Dr
A		1	DRAWING UPDATE	23MAR2007	FS1	JDr
B		2	HINGE IMPROVEMENT + NEW MOLD	16APR2010	FS1	JDr
C		3	DRAFTING ERROR ON KEYING	03JAN2011	FS1	JDr

PORTE-CLIP EN POSITION DE LIVRAISON
RECEPTACLE HOUSING IN DELIVERING POSITION



ALVEOLE POUR CLIP 8mm NG1
CAVITY FOR 8mm NG1 RECEPTACLE



ECHELLE 2:1

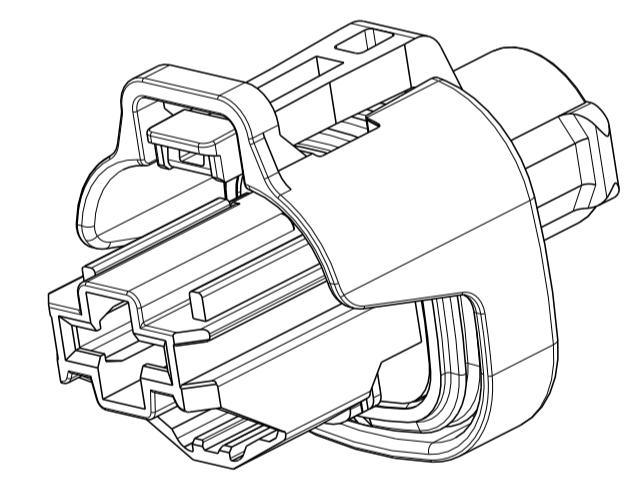
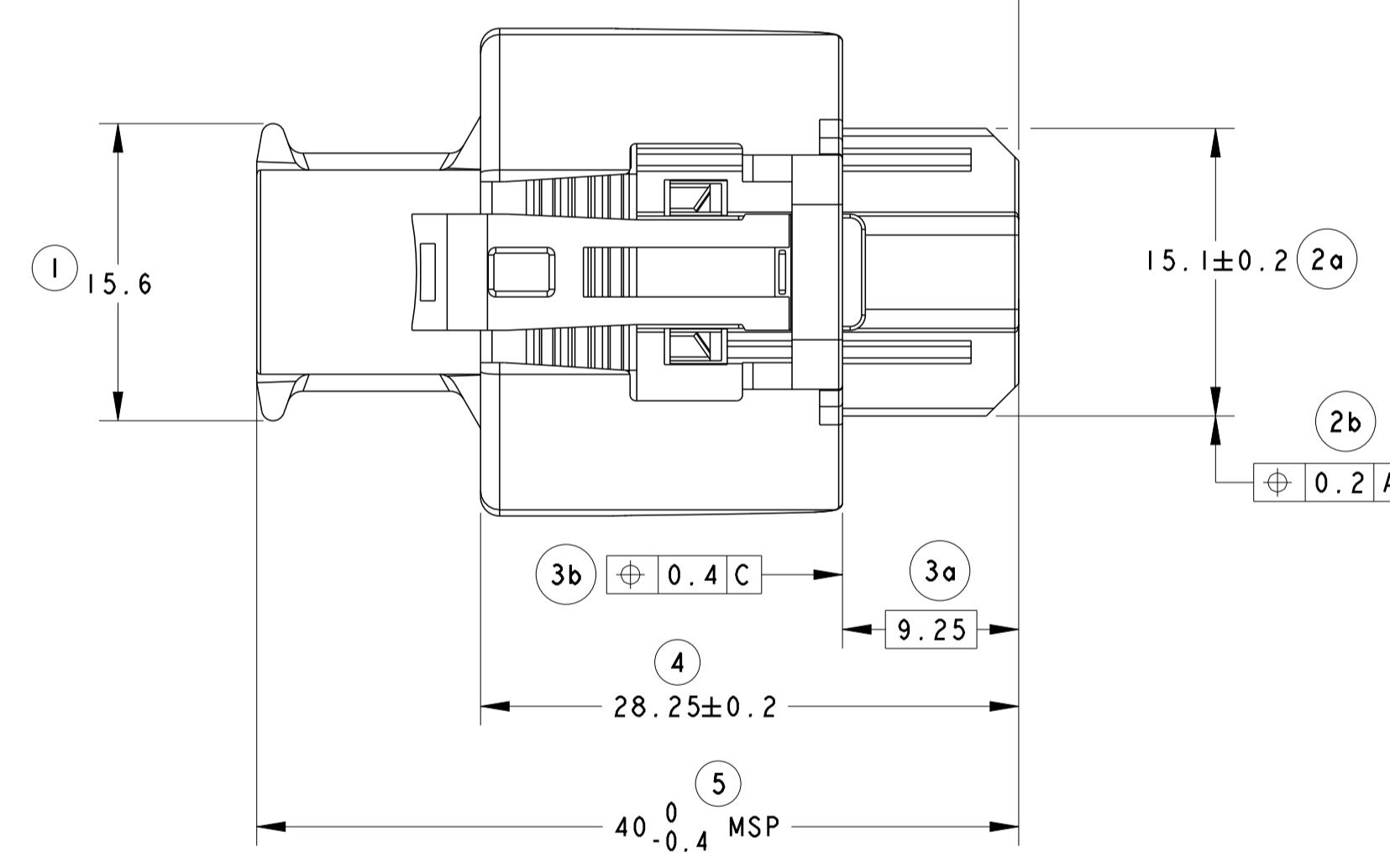
N° COMPOSANT ITEM NR	QTE QTY	DESIGNATION DESCRIPTION	MATIERE MATERIAL	COULEUR COLOR
B	1	JOINT INTERFACIAL INTERFACIAL SEAL	SILICONE MVO 50 AUTOLUBRIFIE SELF LUBRICATED MVO 50 SILICON	VERT GREEN
A	1	PORTE CLIP RECEPTACLE HOUSING	PBT PBT	VOIR TABLEAU SEE TABLE

NOTES :

- 1 LEVRES DU JOINT EXEMPTES DE BAVURES, COUPURES OU DEFATS D'ASPECTS
BURRS, CRACKS OR SURFACES DEFECTS FORBIDEN ON SEAL LIPS
- 2 ZONE SANS PLAN DE JOINT ET EXEMPT DE MARQUES OU DE RAYURES
AREA WITHOUT ANY JUNCTION LINES, MARKS OU BURRS

DOCUMENTS DE REFERENCE / REFERENCE DOCUMENTS :

PLAN D'INTERFACE / INTERFACE DRAWING:
TYCO ELECTRONICS No1/nr 1544642



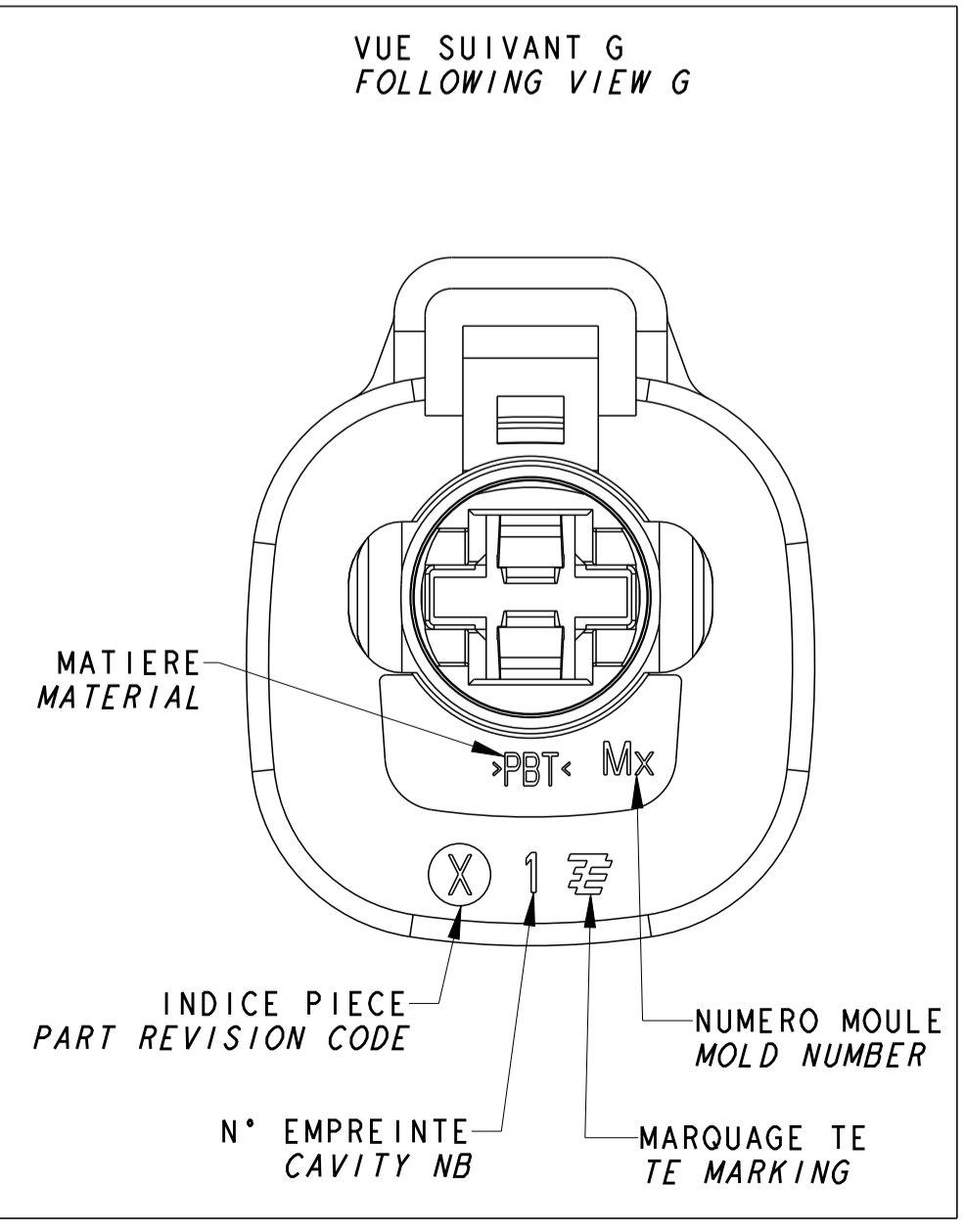
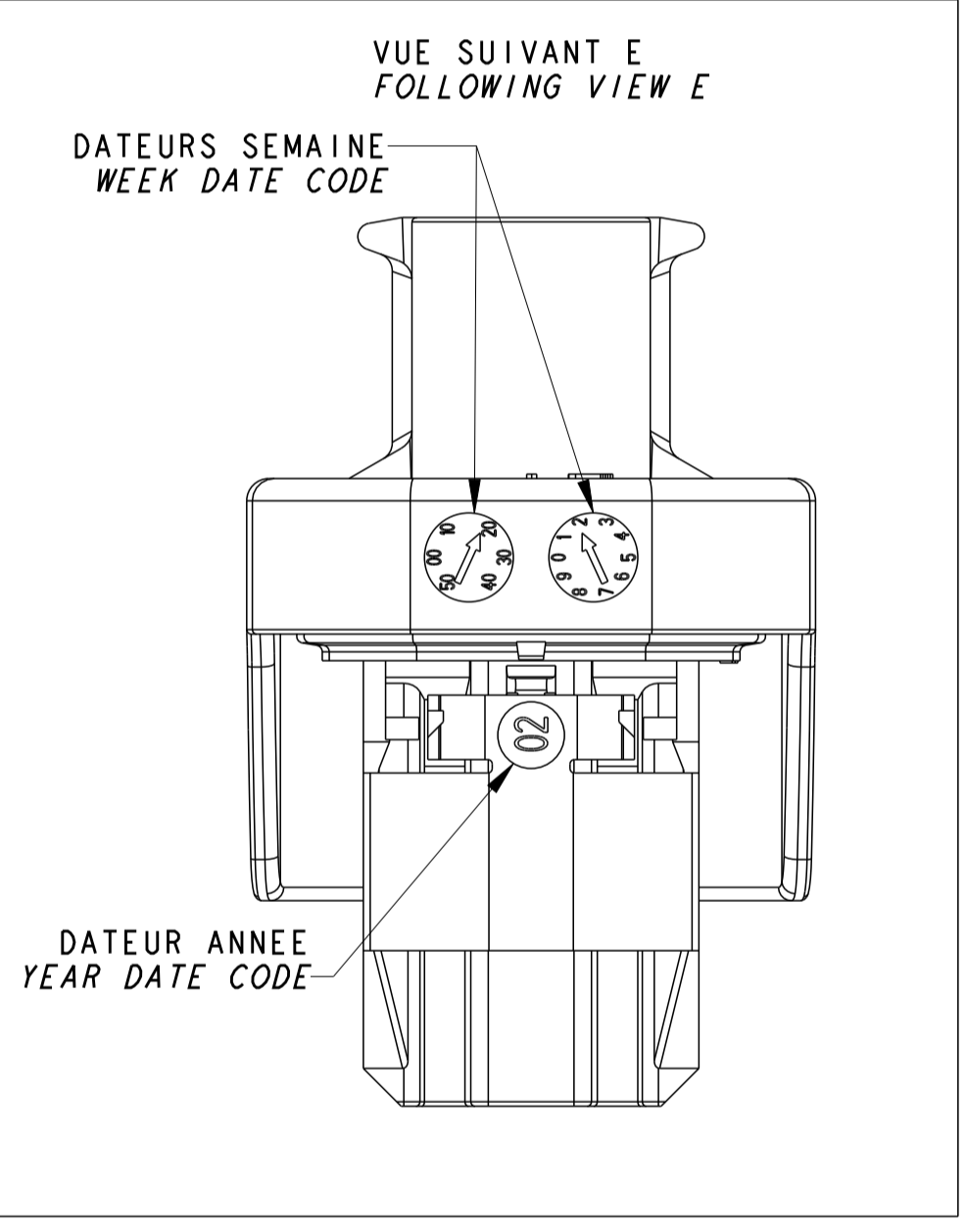
ECHELLE 2:1
SCALE 1:1

COMPOSANTS ASSOCIES
ASSOCIATED COMPONENTS

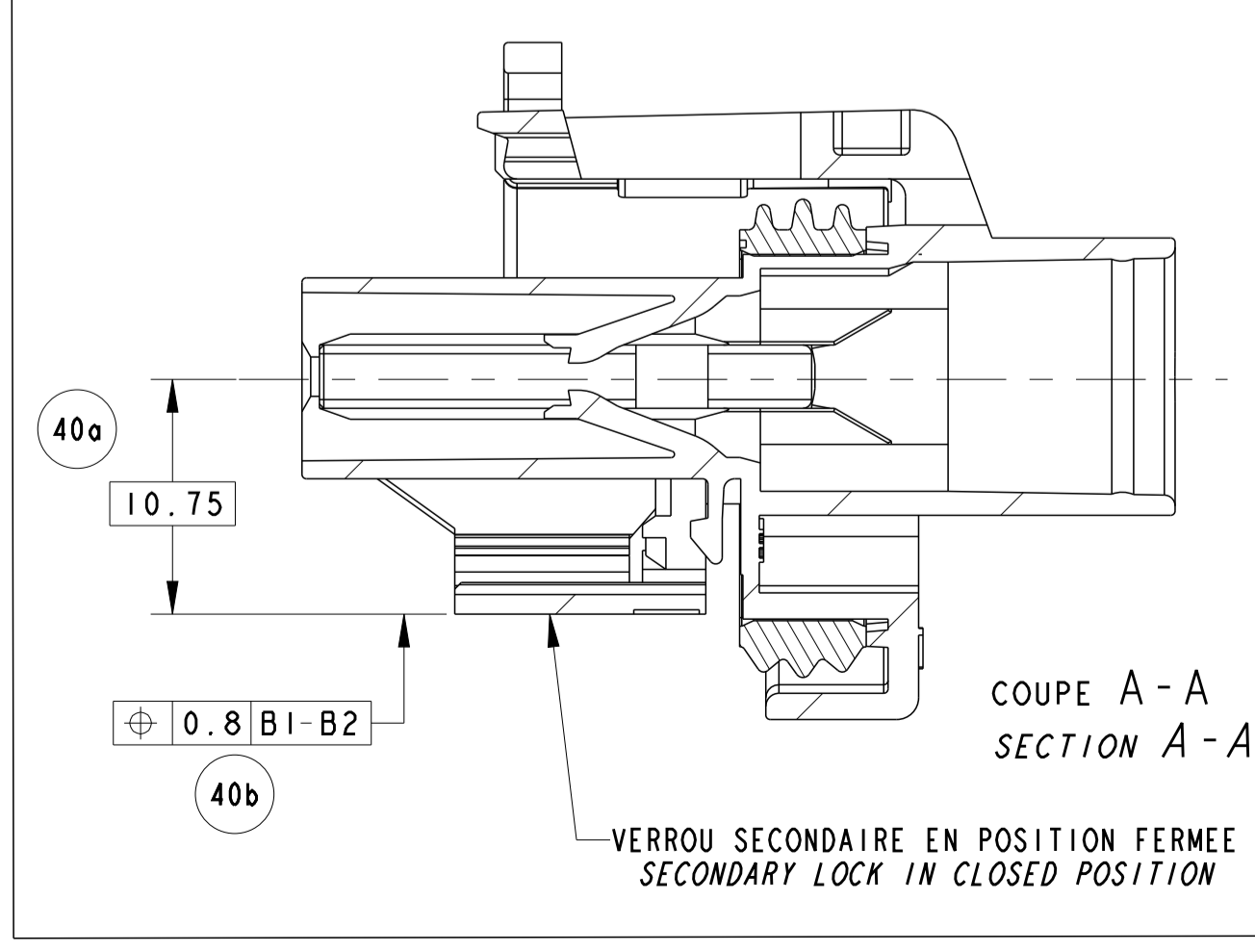
COMPOSANTS COMPONENTS	REF TE TE PN	MATIERE / MATERIAL	COULEUR COLOR
PORTE-LANGUETTE 1V 8NG1 ETANCHE 1-WAY 8NG1 SEALED TAB HOUSING	1544606-1	PBT GF-10 V0	NOIR/BLACK
PORTE-LANGUETTE 1V 8NG1 ETANCHE 1-WAY 8NG1 SEALED TAB HOUSING	1544606-2	PBT GF-10 V0	BLEU/BLUE
PORTE-LANGUETTE 1V 8NG1 ETANCHE 1-WAY 8NG1 SEALED TAB HOUSING	1544606-3	PBT GF-10 V0	GRIS/GREY

COMPOSANTS ASSOCIES
ASSOCIATED COMPONENTS

COMPOSANTS COMPONENTS	REF TE TE PN	MATIERE / MATERIAL	COULEUR COLOR
CLIP 8mm NG1 G2: GAMME DE 3 A 6 mm ² 8mm NG1 RECEPTACLE G2: RANGE FROM 3 TO 6 mm ²	1544227-1	CUIVRE MICRO ALLIE MICRO ALLOYED COPPER	-
CLIP 8mm NG1 G3: GAMME DE 7 A 10 mm ² 8mm NG1 RECEPTACLE G3: RANGE FROM 7 TO 10 mm ²	1544228-1	CUIVRE MICRO ALLIE MICRO ALLOYED COPPER	-
JOINT UNIFILAIRE A SERTIR DIAMETRE FIL DE 3.18 A 4.2 mm SINGLE WIRE SEAL WIRE DIAMETER FROM 3.18 TO 4.2 mm	1544316-1	SILICONE MVO 50 AUTOLUBRIFIE SELF LUBRICATED MVO 50 SILICON	VERT GREEN
JOINT UNIFILAIRE A SERTIR DIAMETRE FIL DE 4.87 A 5.63 mm SINGLE WIRE SEAL WIRE DIAMETER FROM 4.87 TO 5.63 mm	1544316-2	SILICONE MVO 50 AUTOLUBRIFIE SELF LUBRICATED MVO 50 SILICON	ORANGE ORANGE



VERROU SECONDAIRE EN POSITION FERME
SECONDARY LOCK IN CLOSED POSITION



COUPE A-A
SECTION A-A

REFERENCE DES COMPOSANTS / COMPONENTS PART NUMBER

REFERENCE TE REFERENCE	1544603-1	1544603-2	1544603-3
COULEUR Colour	NOIR / BLACK	BLEU / BLUE	GRIS / GREY

TYCO ELECTRONICS FRANCE SAS
517 av. de la Boisse, 73000 Chambéry

APPROVED: J. DANER, P. CHARLES
DATE: 31 JUL 2007

PRODUCT SPEC: 108-15282
APPLICATION SPEC: 411-15664

WEIGHT: 6.4 g
MATERIAL: PBT

UNIFORMITY: 3:1
SCALE: 2:1

REVISION: 00779
PART NUMBER: 1544603