



Chipsmall Limited consists of a professional team with an average of over 10 year of expertise in the distribution of electronic components. Based in Hongkong, we have already established firm and mutual-benefit business relationships with customers from,Europe,America and south Asia,supplying obsolete and hard-to-find components to meet their specific needs.

With the principle of “Quality Parts,Customers Priority,Honest Operation,and Considerate Service”,our business mainly focus on the distribution of electronic components. Line cards we deal with include Microchip,ALPS,ROHM,Xilinx,Pulse,ON,Everlight and Freescale. Main products comprise IC,Modules,Potentiometer,IC Socket,Relay,Connector.Our parts cover such applications as commercial,industrial, and automotives areas.

We are looking forward to setting up business relationship with you and hope to provide you with the best service and solution. Let us make a better world for our industry!



## Contact us

Tel: +86-755-8981 8866 Fax: +86-755-8427 6832

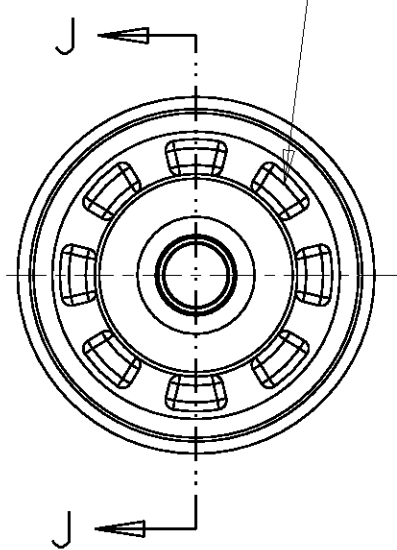
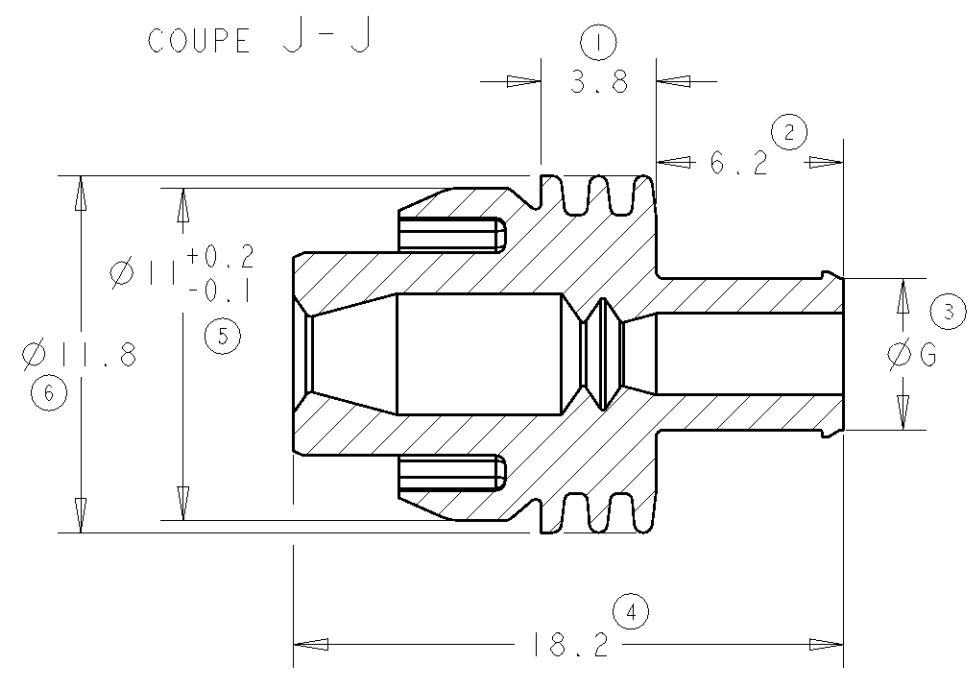
Email & Skype: info@chipsmall.com Web: www.chipsmall.com

Address: A1208, Overseas Decoration Building, #122 Zhenhua RD., Futian, Shenzhen, China



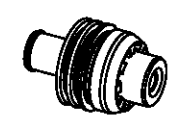
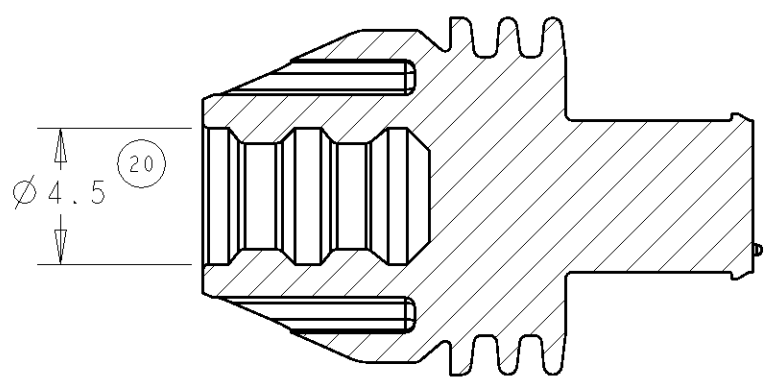
LOC	DIST	REVISIONS			
P	LTR REV	DESCRIPTION MODIFICATIONS	DATE	DWN DESS.	APVD APP.
-	-	A	FIRST ISSUE	08MAR2012	PCs JDr

8 TROUS POUR PN 1544970-1, -2 ET -4  
 6 TROUS POUR PN 1544970-3  
 8 HOLES FOR PN 1544970-1, -2 AND -4  
 6 HOLES FOR PN 1544970-3



DESIGNATION DESCRIPTION	MATIERE MATERIAL (30)	COULEUR COLOR	ØG	REF TE PN TE	MASSE WEIGHT	VIEW SCALE 3:2
JOINT UNIFILAIRE NG9K A SERTIR SINGLE WIRE SEAL NG9K SECTION : 2.5 A (TO) 5 mm2 Ø ISOLANT : 2.65 A 4 mm INSULATOR Ø : 2.65 TO 4 mm		MARRON BROWN	5	1544970-1	0.95g	
JOINT UNIFILAIRE NG9K A SERTIR SINGLE WIRE SEAL NG9K SECTION : 6 A (TO) 7 mm2 Ø ISOLANT : 4.1 A 5 mm INSULATOR Ø : 4.1 TO 5 mm	SILICONE MVQ 50 (AUTOLUBRIFIE) SILICON (SELF-LUBRICATED)	BLEU BLUE	6.4	1544970-2	0.93g	
JOINT UNIFILAIRE NG9K A SERTIR SINGLE WIRE SEAL NG9K SECTION : 10 mm2 Ø ISOLANT : 6 mm MAXI INSULATOR Ø : 6 mm MAXI		JAUNE YELLOW	7.2	1544970-3	0.89g	
BOUCHON NG9K NG9K PLUG	SILICONE MVQ 70 SILICON	BLANC WHITE	5	1544970-4	1.04g	

BOUCHON NG9K  
NG9K PLUG



ECHELLE 1:1  
SCALE 1:1

NOTES :

- LES LEVRES DU JOINT DOIVENT ETRES EXEMPTES DE BAVURES, COUPURES OU DEFATS D'ASPECT.
- LES SURFACES INTERIEURES DOIVENT ETRES EXEMPTES DE DEFATS, BAVURES, COUPURES OU DEFORMATIONS.
- (X) = POUR INFORMATION
- SEAL MUST NOT PRESENT BURRS, CRACKS OR SURFACES DEFECT.
- THE INSIDE AREAS MUST NOT PRESENT DEFECTS, BURRS, CRACKS OR DEFORMATIONS.
- (X) = FOR INFORMATION

THIS DRAWING IS A CONTROLLED DOCUMENT. CE PLAN EST UN DOCUMENT CONTROLE PAR AMP INCORPORATED. IL EST SUSCEPTIBLE D'ETRE REVISE. CONTACTER LE SERVICE TECHNIQUE D'AMP DE FRANCE POUR OBTENIR LA DERNIERE REVISION.		DWN/DESSINE P. CHARLES 08MAR12	TE Connectivity	
DIMENSIONS : mm		CHK/VERIFIE P. FLORES 08MAR12		
TOLERANCES UNLESS OTHERWISE SPECIFIED: TOLERANCES NON SPECIFIEES (SUJY NB DE DECIMALES): 1. P.L.C. DEC: ±0.15 2. P.L.C. DEC: ± 3. P.L.C. DEC: ± 4. P.L.C. DEC: ± ANGLE ±2°		APVD/APPROUVE J. DAHER 08MAR12	NAME TITRE	
MATERIAL MATIERE SEE TABLE		PRODUCT SPEC SPEC. PRODUIT	JOINT UNIFILAIRE NG9K A SERTIR SINGLE WIRE SEAL NG9K	
FINISH FINITION		APPLICATION SPEC SPEC. APPLICATION 411-15725	SIZE FORMAT A3	RESTRICTED TO RESERVE A
		WEIGHT MASSE APPROX. SEE TABLE	CAGE CODE 300779	DRAWING NO No PLAN C=1544970
		CUSTOMER DRAWING /PLAN CLIENT	UNIQUEMENT POUR REFERENCE	SCALE ECHELLE 4:1
			SHEET FEUILLE 1 OF DE 1	REV A