



Chipsmall Limited consists of a professional team with an average of over 10 year of expertise in the distribution of electronic components. Based in Hongkong, we have already established firm and mutual-benefit business relationships with customers from,Europe,America and south Asia,supplying obsolete and hard-to-find components to meet their specific needs.

With the principle of “Quality Parts,Customers Priority,Honest Operation,and Considerate Service”,our business mainly focus on the distribution of electronic components. Line cards we deal with include Microchip,ALPS,ROHM,Xilinx,Pulse,ON,Everlight and Freescale. Main products comprise IC,Modules,Potentiometer,IC Socket,Relay,Connector.Our parts cover such applications as commercial,industrial, and automotives areas.

We are looking forward to setting up business relationship with you and hope to provide you with the best service and solution. Let us make a better world for our industry!



Contact us

Tel: +86-755-8981 8866 Fax: +86-755-8427 6832

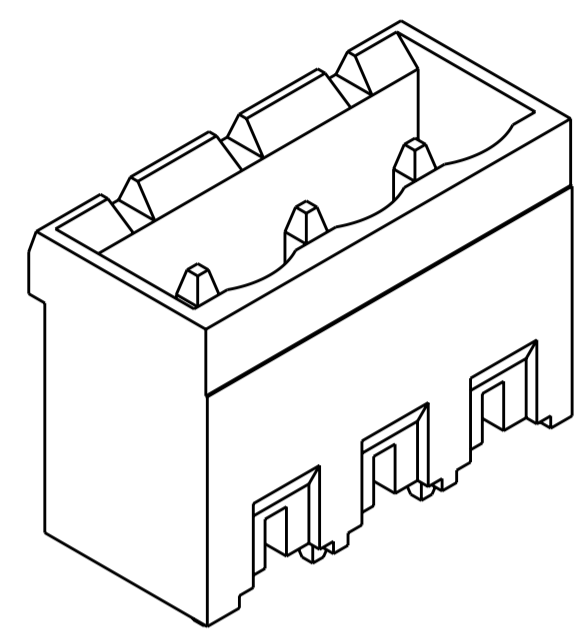
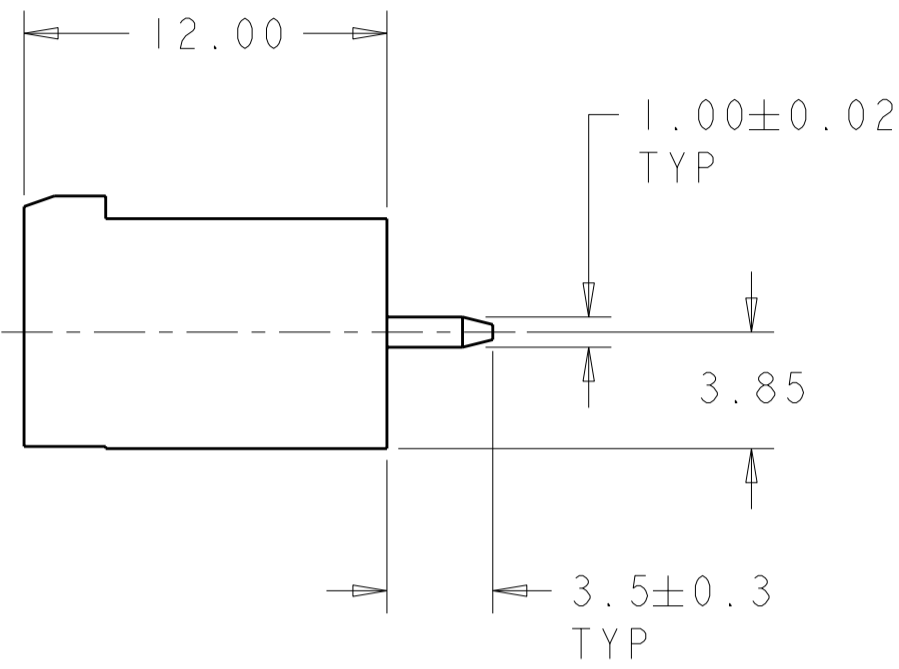
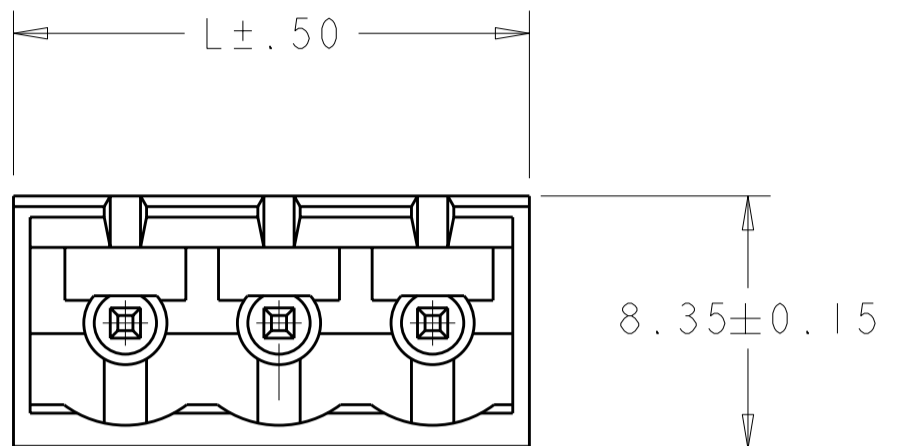
Email & Skype: info@chipsmall.com Web: www.chipsmall.com

Address: A1208, Overseas Decoration Building, #122 Zhenhua RD., Futian, Shenzhen, China

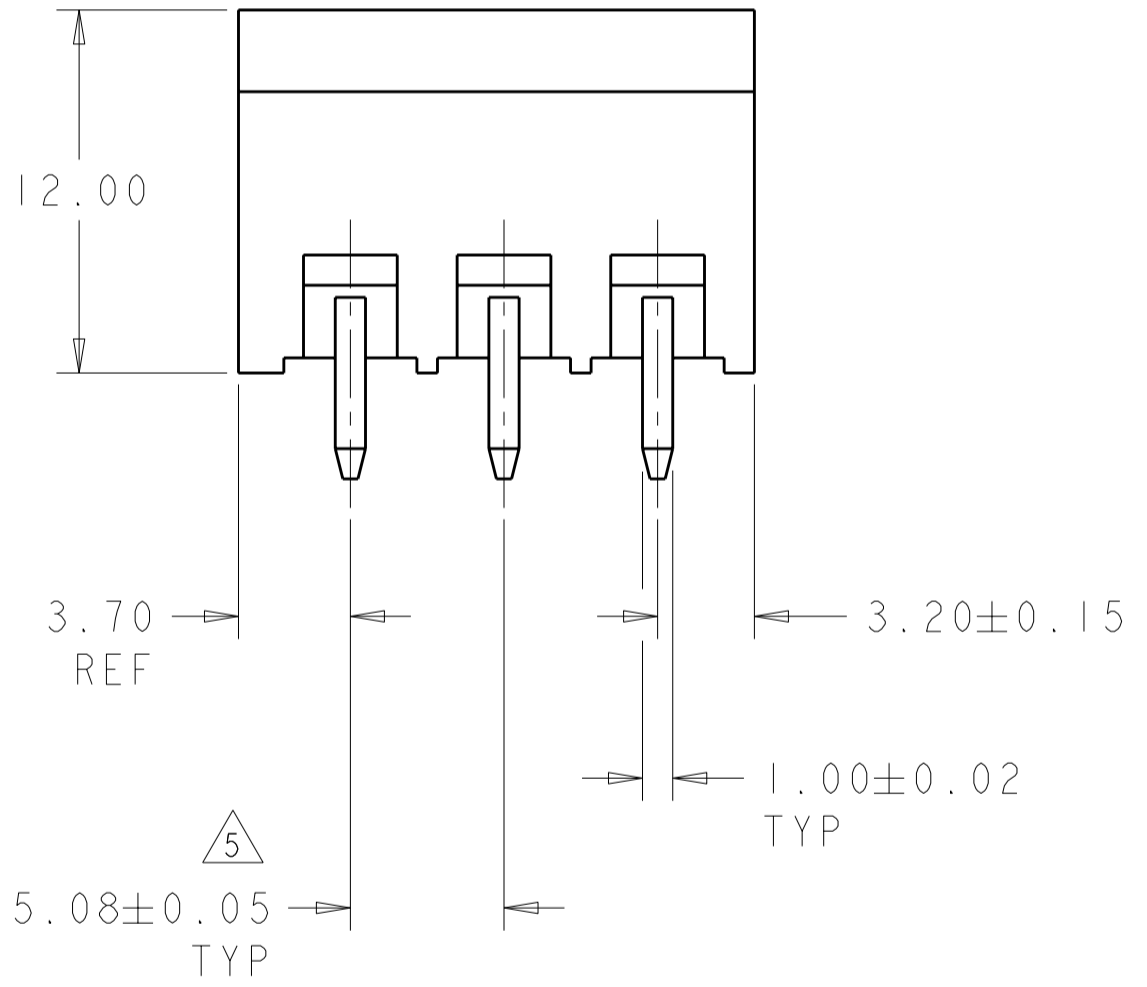


THIS DRAWING IS UNPUBLISHED. RELEASED FOR PUBLICATION 20
 © COPYRIGHT 20 Tyco Electronics AMP GmbH ALL RIGHTS RESERVED.

LOC	DIST	REVISIONS			
P	LTR	DESCRIPTION	DATE	DWN	APVD
FT	0	A2	REVISED PER ECO-12-007964	03MAY2012	KH MS

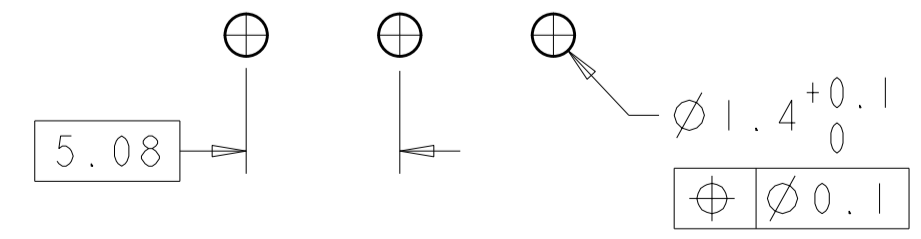


1546111-3 AS SHOWN



- 1. MATERIALS AND FINISH:
 HOUSING: PA 6-6, UL 94-V0, COLOR: GRAY.
 TERMINAL: COPPER ALLOY, TIN PLATED.
- 2. SUITABLE FOR 1,6-2, 4mm PC BOARD THICKNESS.
- 3. RECOGNIZED UNDER THE COMPONENT PROGRAM OF UNDERWRITERS LABORATORIES INC. FILE N° E60677.
- 4. IMQ CERTIFICATE WITH SURVEILLANCE IN CONFORMITY WITH IEC 998-1/998-2-1.)
- 5. NOT CUMULATIVE TOLERANCE
- 6. BUCHANAN LOGO TO APPEAR ON HOUSING, LOCATION OPTIONAL WHERE SPACE PERMITS.

128.82	25	2-1546111-5
123.74	24	2-1546111-4
118.66	23	2-1546111-3
113.58	22	2-1546111-2
108.50	21	2-1546111-1
103.42	20	2-1546111-0
98.34	19	1-1546111-9
93.26	18	1-1546111-8
88.18	17	1-1546111-7
83.10	16	1-1546111-6
78.02	15	1-1546111-5
72.94	14	1-1546111-4
67.86	13	1-1546111-3
62.78	12	1-1546111-2
57.70	11	1-1546111-1
52.62	10	1-1546111-0
47.54	9	1546111-9
42.46	8	1546111-8
37.38	7	1546111-7
32.30	6	1546111-6
27.22	5	1546111-5
22.14	4	1546111-4
17.06	3	1546111-3
11.98	2	1546111-2
DIM L	NO OF POSN	PART NUMBER



RECOMMENDED PC BOARD LAYOUT

THIS DRAWING IS A CONTROLLED DOCUMENT.		DWN S.WELDON 11SEP2002	TE Connectivity	
DIMENSIONS: mm		CHK C.RICHARD 11SEP2002		
TOLERANCES UNLESS OTHERWISE SPECIFIED:		APVD C.RICHARD 11SEP2002	NAME: TERMI-BLOK HEADER ASSEMBLY, 180 DEGREE, CLOSED ENDS, 5.08mm PITCH	
0 PLC ±-		PRODUCT SPEC	SIZE: A2	
1 PLC ±0.3		APPLICATION SPEC	CAGE CODE: 00779	
2 PLC ±0.25		WEIGHT	DRAWING NO: 1546111	
3 PLC ±-		CUSTOMER DRAWING	RESTRICTED TO: -	
4 PLC ±-		SCALE: 4:1	SHEET 1 OF 1	
ANGLES ±-		REV: A2		
FINISH				