



Chipsmall Limited consists of a professional team with an average of over 10 year of expertise in the distribution of electronic components. Based in Hongkong, we have already established firm and mutual-benefit business relationships with customers from,Europe,America and south Asia,supplying obsolete and hard-to-find components to meet their specific needs.

With the principle of “Quality Parts,Customers Priority,Honest Operation,and Considerate Service”,our business mainly focus on the distribution of electronic components. Line cards we deal with include Microchip,ALPS,ROHM,Xilinx,Pulse,ON,Everlight and Freescale. Main products comprise IC,Modules,Potentiometer,IC Socket,Relay,Connector.Our parts cover such applications as commercial,industrial, and automotives areas.

We are looking forward to setting up business relationship with you and hope to provide you with the best service and solution. Let us make a better world for our industry!



## Contact us

Tel: +86-755-8981 8866 Fax: +86-755-8427 6832

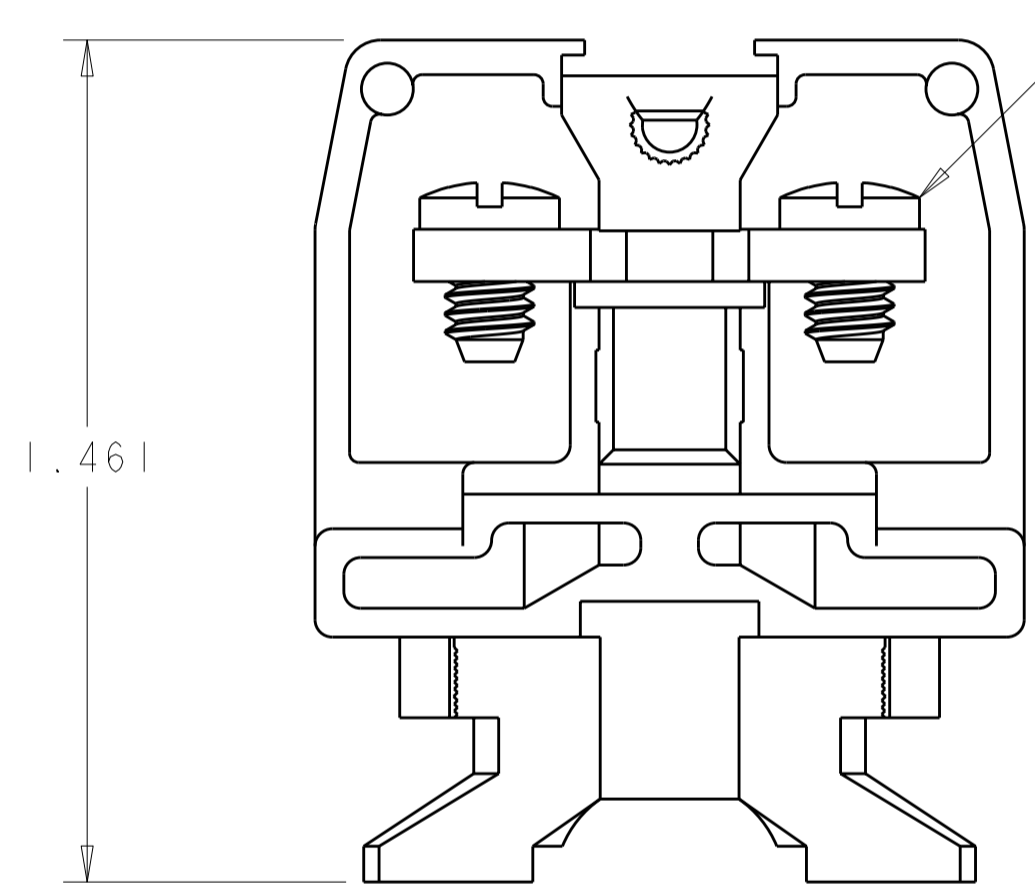
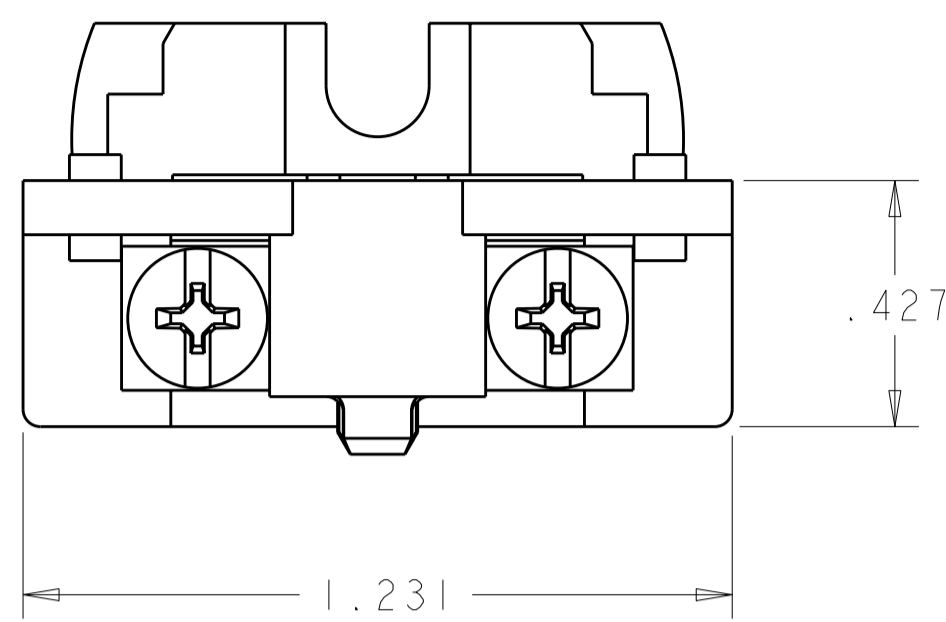
Email & Skype: info@chipsmall.com Web: www.chipsmall.com

Address: A1208, Overseas Decoration Building, #122 Zhenhua RD., Futian, Shenzhen, China

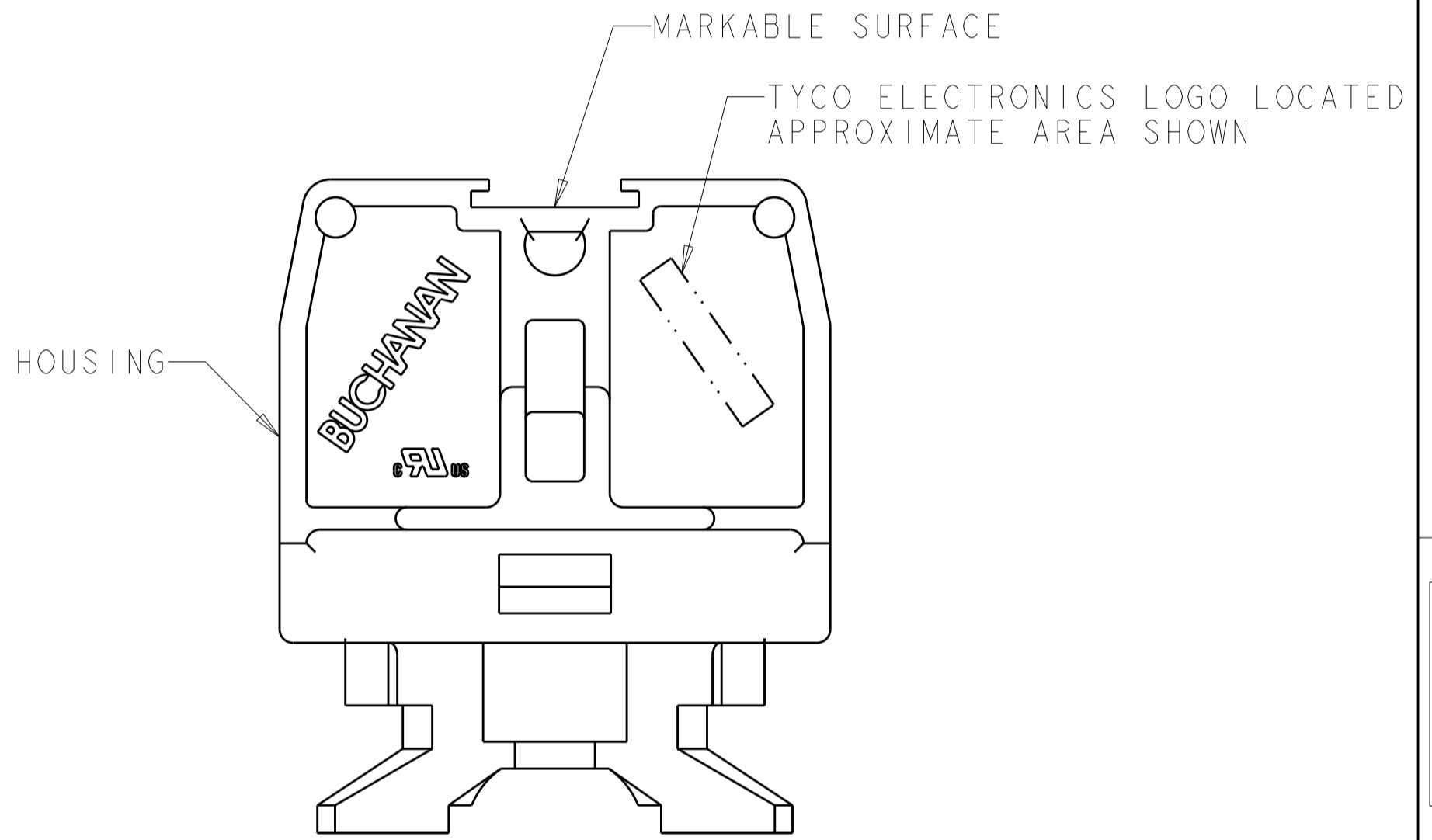
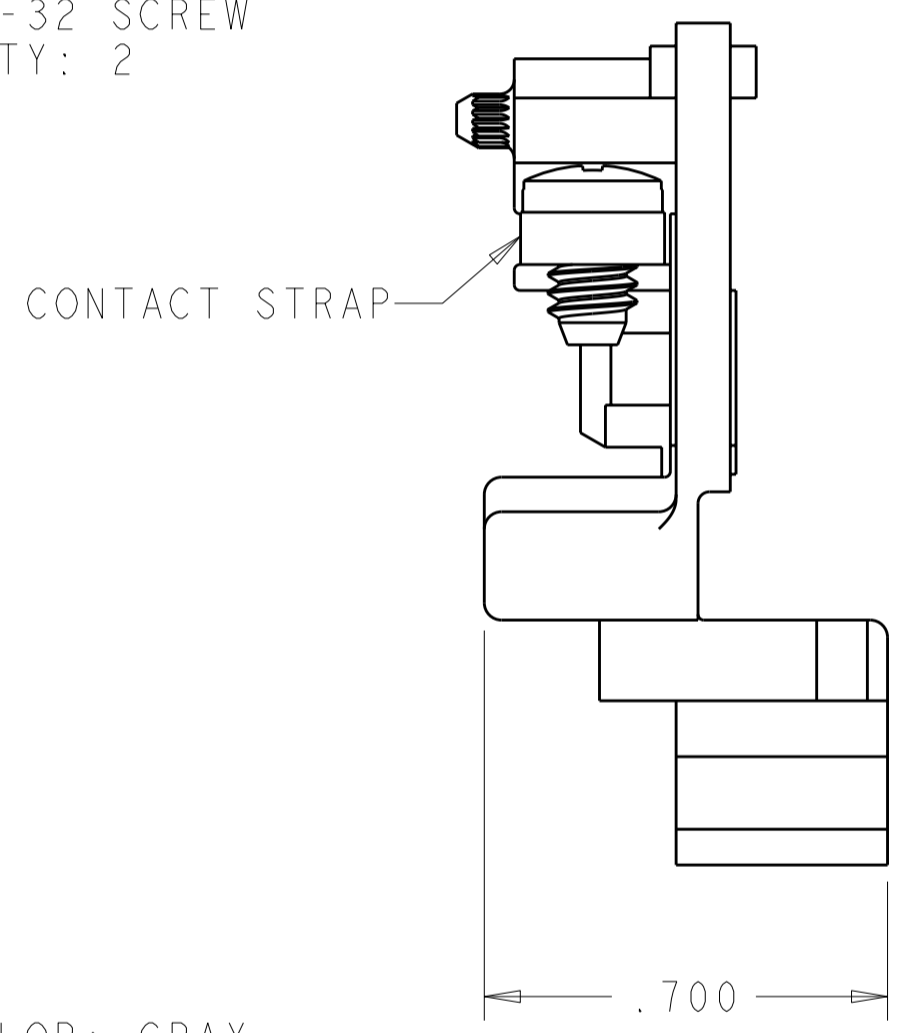


THIS DRAWING IS UNPUBLISHED. RELEASED FOR PUBLICATION 20  
 © COPYRIGHT 20 BY TYCO ELECTRONICS CORPORATION. ALL RIGHTS RESERVED.

LOC	DIST	REVISIONS			
P	LTR	DESCRIPTION	DATE	DWN	APVD
FT	0				
	F	REVISED PER ECO-10-006414	26MAR2010	HMR	CR



6-32 SCREW  
QTY: 2



- 1. PHYSICAL PROPERTIES (STANDARD)  
 HOUSING: POLYESTER, UL 94V-0 RATED, COLOR: GRAY.  
 CONTACT STRAP: COPPER ALLOY, ZINC PLATED.  
 SCREW: STEEL, ZINC PLATED CLEAR CHROMATE.
- 2. PHYSICAL PROPERTIES (DURAMAX)  
 HOUSING: POLYESTER, UL 94V-0 RATED, COLOR: GRAY.  
 CONTACT STRAP: COPPER ALLOY, NICKEL PLATED.  
 SCREW: COPPER ALLOY, NICKEL PLATED.
- 3. MECHANICAL  
 PITCH: .375  
 MOUNTING: STANDARD CHANNEL AND CLAMP.  
 OPERATING TEMPERATURE: 150°C MAX.  
 TORQUE: RECOMMENDED TIGHTENING TORQUE IS 12 IN-LBS.
- 4. ELECTRICAL  
 MAXIMUM CURRENT: 15A, 35A\*  
 OPERATING VOLTAGE: 600 V  
 WIRE RANGE: 14-22 AWG, 10 AWG\*.  
 \* ACCEPTABLE FOR 35A MAXIMUM CURRENT, FACTORY WIRING ONLY, WHEN USED WITH 10 AWG WIRE PRE-TERMINATED WITH SUITABLE RING TONGUE TERMINALS.
- 5. SEE RESTRICTED CUSTOMER DRAWING 4-1437394-5.

-	4-1437394-5	5
2	1546144-2	
1	1546144-1	
MATERIAL / FINISH	PART NUMBER	

THIS DRAWING IS A CONTROLLED DOCUMENT FOR TYCO ELECTRONICS CORPORATION. IT IS SUBJECT TO CHANGE AND THE CONTROLLING ENGINEERING ORGANIZATION SHOULD BE CONTACTED FOR THE LATEST REVISION.		DWN S. WELDON 13 JUN 2002	Tyco Electronics Harrisburg, PA 17105-3608	
DIMENSIONS: INCHES		CHK S. YODER 13 JUN 2002	NAME ASSEMBLY, TERMINAL BLOCK, NEMA, DOVETAIL BASE, MEDIUM DUTY, STRAP SCREW	
TOLERANCES UNLESS OTHERWISE SPECIFIED: 0 PLC ± 1 PLC ± 2 PLC ± 3 PLC ±.010 4 PLC ± ANGLES ±		APVD S. YODER 13 JUN 2002	SIZE A2	
MATERIAL SEE TABLE		PRODUCT SPEC -	CAGE CODE 00779	DRAWING NO 1546144
FINISH SEE TABLE		APPLICATION SPEC -	RESTRICTED TO -	SCALE 3:1
CUSTOMER DRAWING		WEIGHT -	SHEET 1	REV F