



Chipsmall Limited consists of a professional team with an average of over 10 year of expertise in the distribution of electronic components. Based in Hongkong, we have already established firm and mutual-benefit business relationships with customers from,Europe,America and south Asia,supplying obsolete and hard-to-find components to meet their specific needs.

With the principle of “Quality Parts,Customers Priority,Honest Operation,and Considerate Service”,our business mainly focus on the distribution of electronic components. Line cards we deal with include Microchip,ALPS,ROHM,Xilinx,Pulse,ON,Everlight and Freescale. Main products comprise IC,Modules,Potentiometer,IC Socket,Relay,Connector.Our parts cover such applications as commercial,industrial, and automotives areas.

We are looking forward to setting up business relationship with you and hope to provide you with the best service and solution. Let us make a better world for our industry!



Contact us

Tel: +86-755-8981 8866 Fax: +86-755-8427 6832

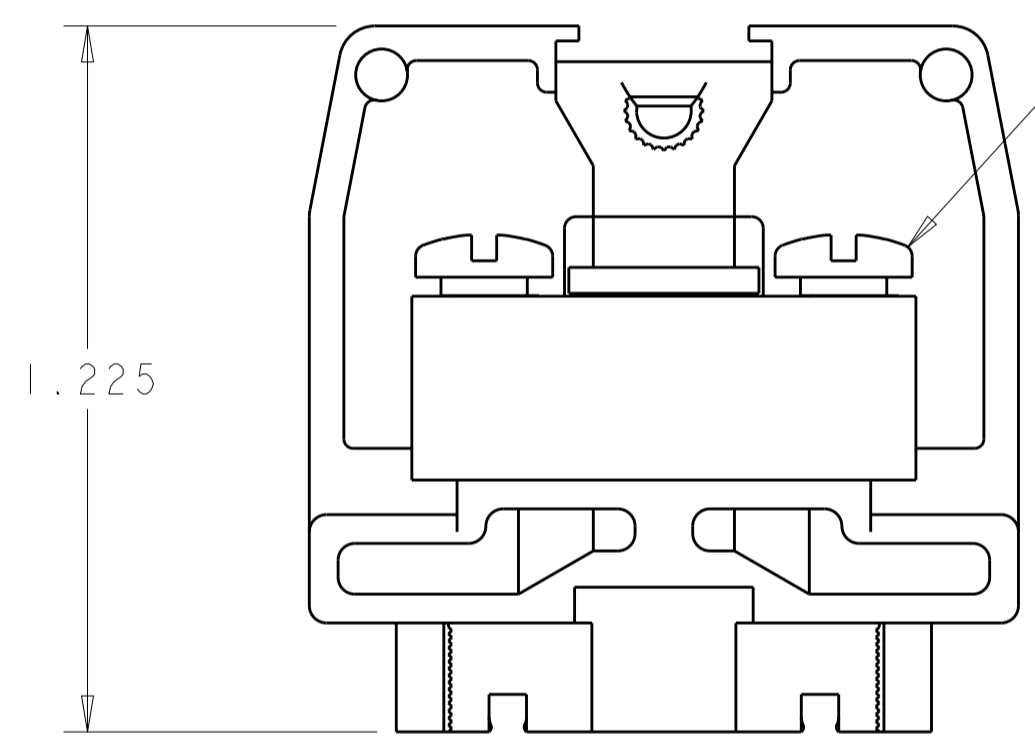
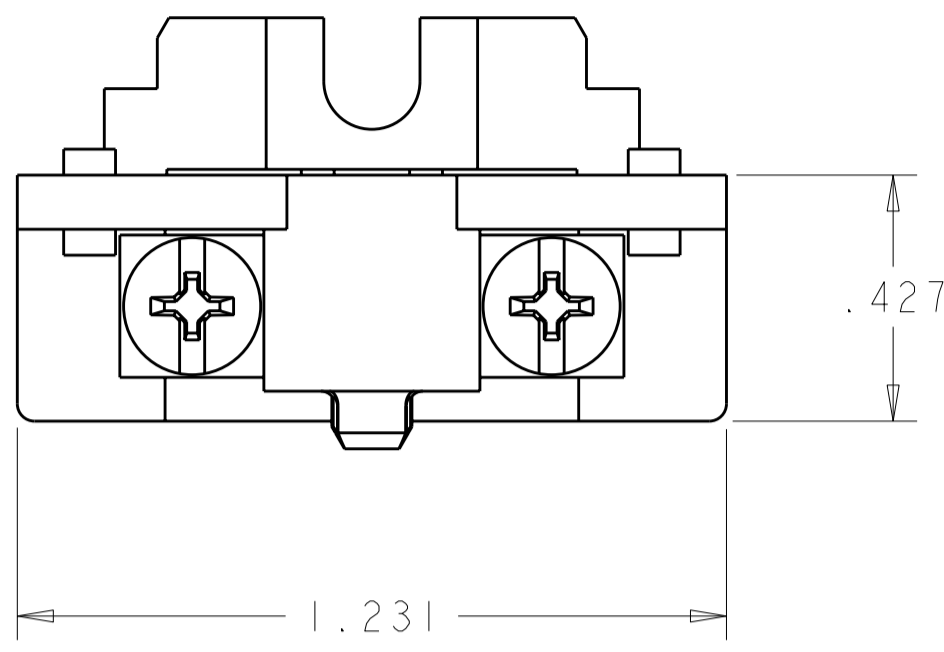
Email & Skype: info@chipsmall.com Web: www.chipsmall.com

Address: A1208, Overseas Decoration Building, #122 Zhenhua RD., Futian, Shenzhen, China



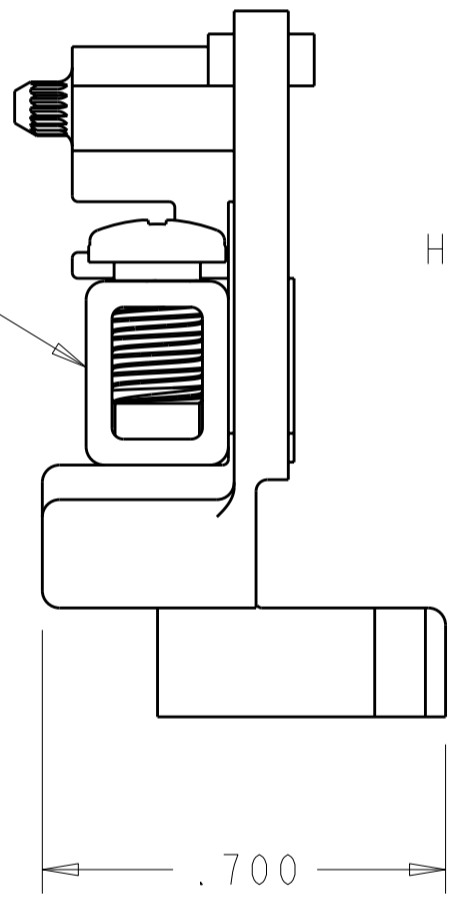
THIS DRAWING IS UNPUBLISHED. RELEASED FOR PUBLICATION 20
 © COPYRIGHT 20 BY - ALL RIGHTS RESERVED.

LOC		DIST		REVISIONS			
P	LTR	DESCRIPTION	DATE	DWN	APVD		
	EI	REVISED PER ECO-11-004917	12MAR2011	RK	HMR		

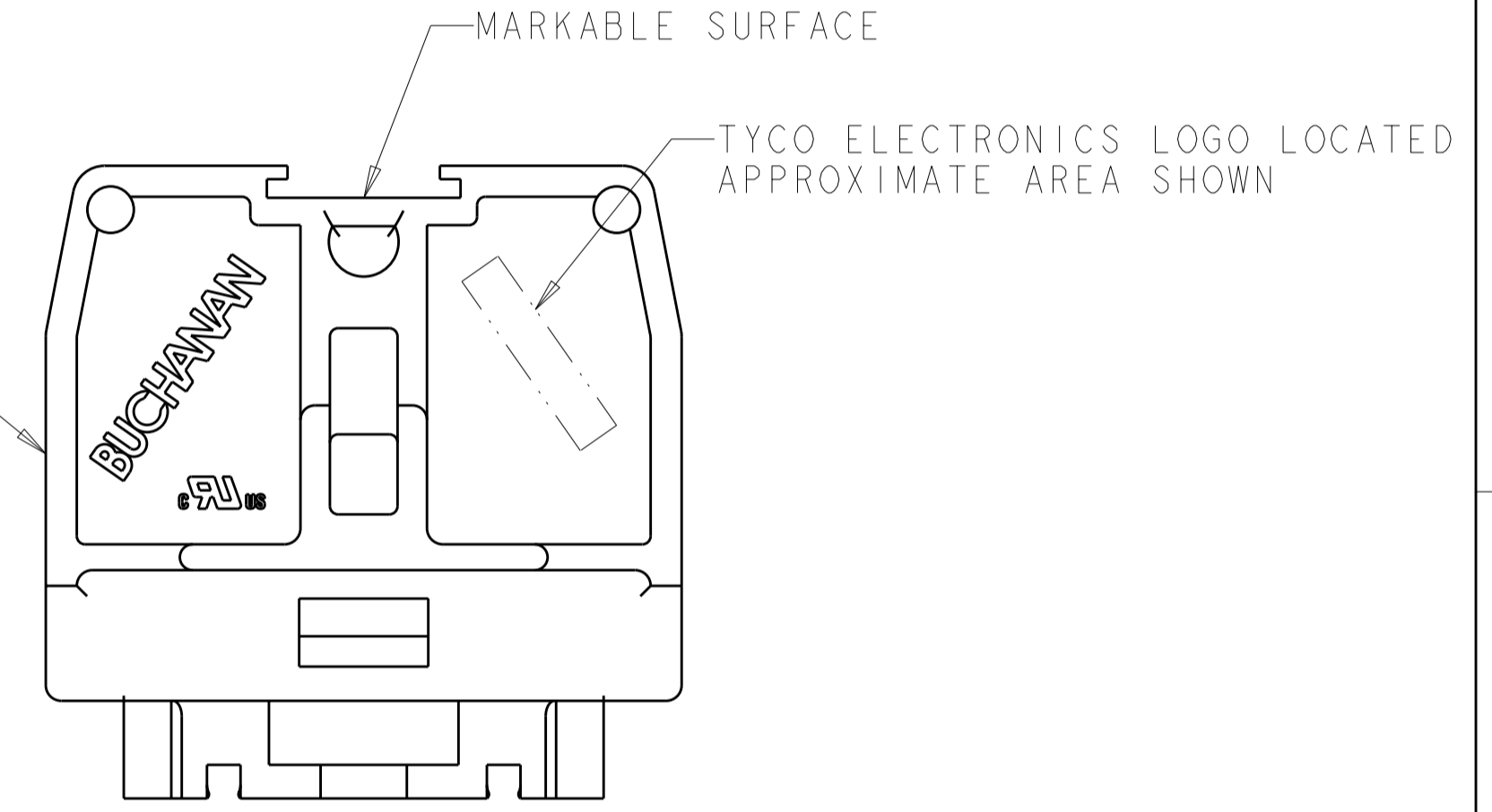


10-32 SCREW
QTY: 2

TUBULAR CONTACT



HOUSING



MARKABLE SURFACE

TYCO ELECTRONICS LOGO LOCATED APPROXIMATE AREA SHOWN

- 1. PHYSICAL PROPERTIES (STANDARD)
 HOUSING: POLYESTER, UL 94V-0 RATED, COLOR: GRAY.
 TUBULAR CONTACT: COPPER ALLOY, ZINC PLATED.
 SCREW: STEEL, ZINC PLATED CLEAR CHROMATE.
- 2. PHYSICAL PROPERTIES (DURAMAX)
 HOUSING: POLYESTER, UL 94V-0 RATED, COLOR: GRAY.
 TUBULAR CONTACT: COPPER ALLOY, NICKEL PLATED.
 SCREW: COPPER ALLOY, NICKEL PLATED.
- 3. MECHANICAL
 PITCH: .375
 MOUNTING: DIRECT MOUNT OR MINIATURE CHANNEL AND CLAMP.
 OPERATING TEMPERATURE: 150°C MAX.
 TORQUE: RECOMMENDED TIGHTENING TORQUE IS 8 IN-LBS.
- 4. ELECTRICAL
 MAXIMUM CURRENT: 50A
 OPERATING VOLTAGE: 600 V
 WIRE RANGE: 8-22 AWG.
- 5. SEE RESTRICTED CUSTOMER DRAWING 4-1437394-3.

-	4-1437394-3	5
2	1546147-2	
1	1546147-1	
MATERIAL / FINISH	PART NUMBER	

THIS DRAWING IS A CONTROLLED DOCUMENT.		DWN S. WELDON 15JAN2002	TE Connectivity	
DIMENSIONS: INCHES		CHK S. YODER 15JAN2002		
TOLERANCES UNLESS OTHERWISE SPECIFIED:		APVD S. YODER 15JAN2002	NAME ASSEMBLY, TERMINAL BLOCK, NEMA, FLAT BASE, MEDIUM DUTY, TUBULAR SCREW	
0 PLC ± 1 PLC ± 2 PLC ± 3 PLC ±.010 4 PLC ± ANGLES ± FINISH		PRODUCT SPEC -	SIZE A2	CAGE CODE 00779
MATERIAL SEE TABLE		APPLICATION SPEC -	DRAWING NO. 1546147	RESTRICTED TO -
SEE TABLE		WEIGHT -	SCALE 3:1	SHEET 1 OF 1 REV EI