



Chipsmall Limited consists of a professional team with an average of over 10 year of expertise in the distribution of electronic components. Based in Hongkong, we have already established firm and mutual-benefit business relationships with customers from,Europe,America and south Asia,supplying obsolete and hard-to-find components to meet their specific needs.

With the principle of “Quality Parts,Customers Priority,Honest Operation,and Considerate Service”,our business mainly focus on the distribution of electronic components. Line cards we deal with include Microchip,ALPS,ROHM,Xilinx,Pulse,ON,Everlight and Freescale. Main products comprise IC,Modules,Potentiometer,IC Socket,Relay,Connector.Our parts cover such applications as commercial,industrial, and automotives areas.

We are looking forward to setting up business relationship with you and hope to provide you with the best service and solution. Let us make a better world for our industry!



Contact us

Tel: +86-755-8981 8866 Fax: +86-755-8427 6832

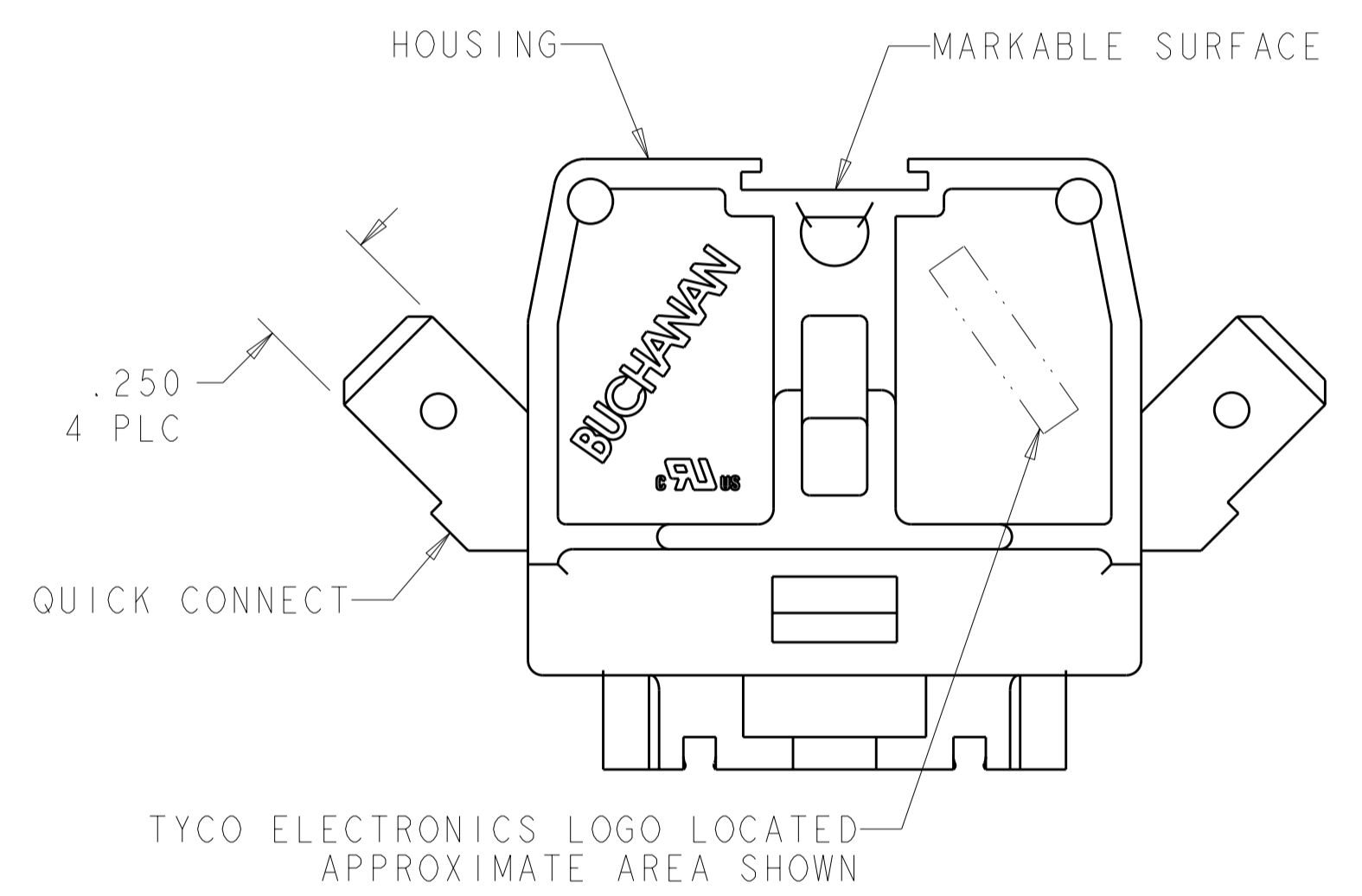
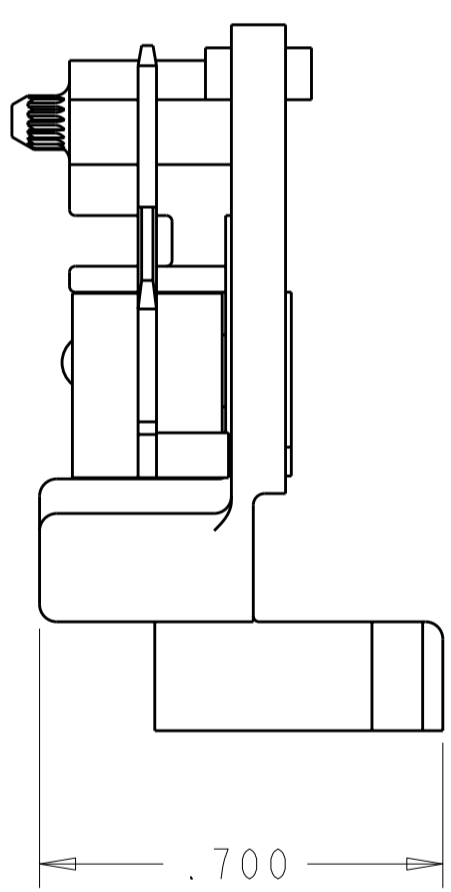
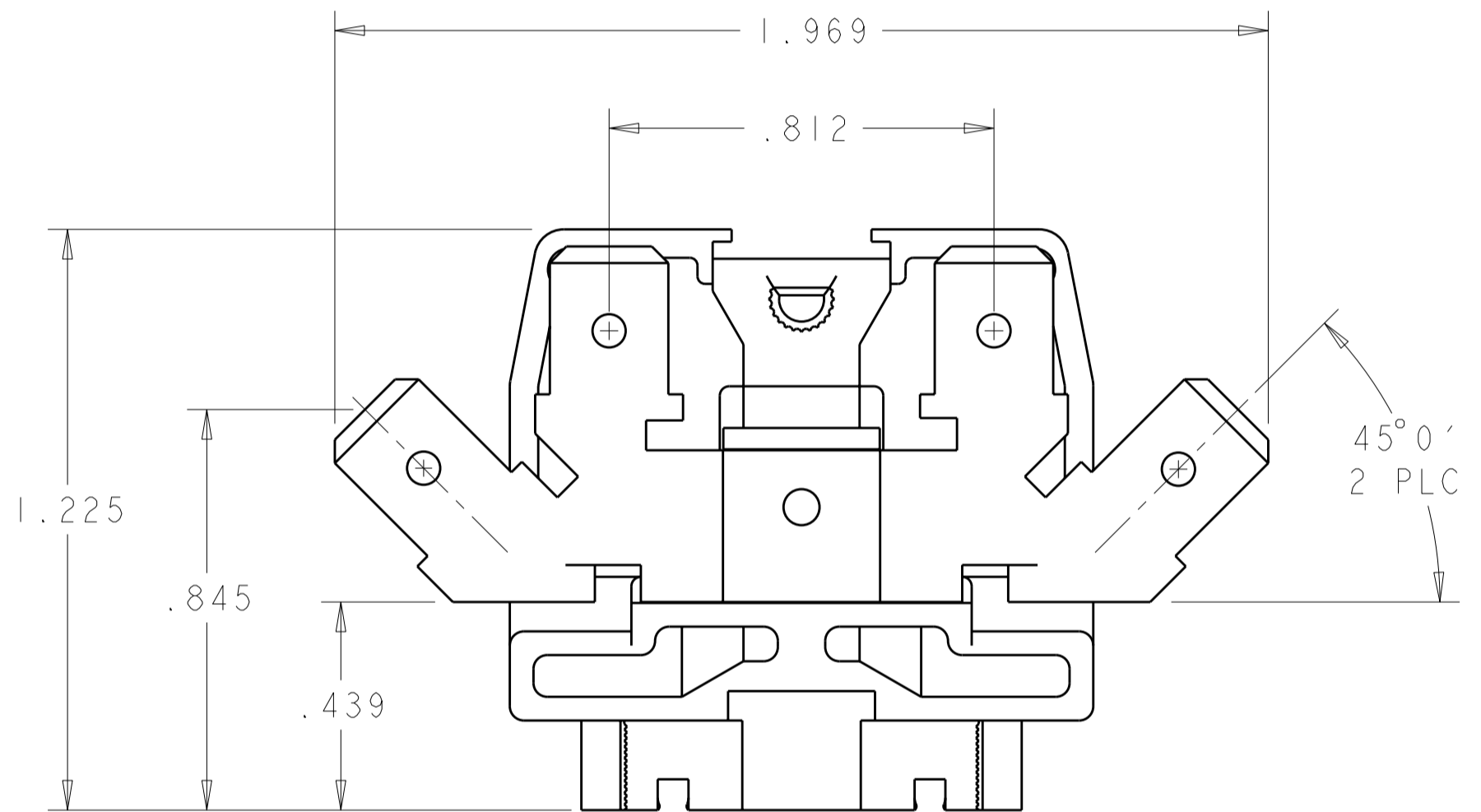
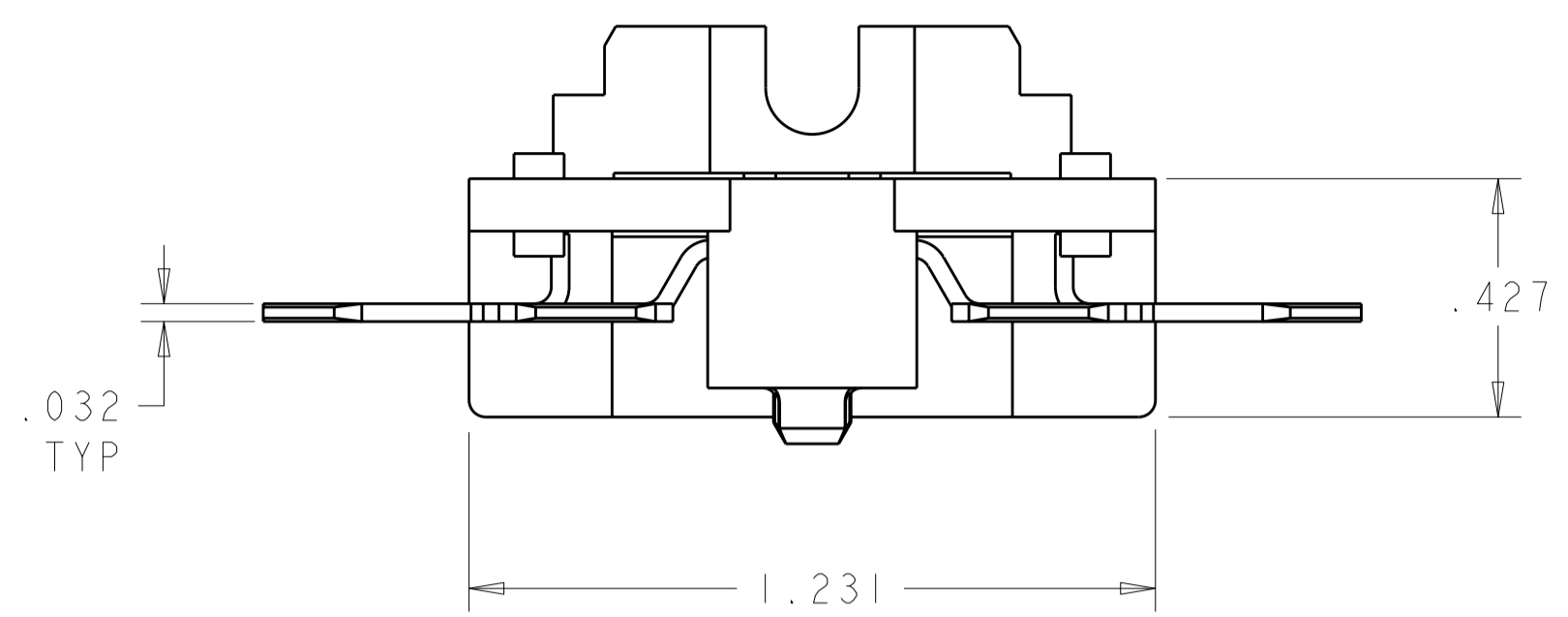
Email & Skype: info@chipsmall.com Web: www.chipsmall.com

Address: A1208, Overseas Decoration Building, #122 Zhenhua RD., Futian, Shenzhen, China



THIS DRAWING IS UNPUBLISHED. RELEASED FOR PUBLICATION 20
 © COPYRIGHT 20 BY TYCO ELECTRONICS CORPORATION. ALL RIGHTS RESERVED.

LOC	DIST	REVISIONS			
P	LTR	DESCRIPTION	DATE	DWN	APVD
FT	0	B	REVISED PER ECO-10-006414	26MAR2010	HMR CR



- 1. PHYSICAL PROPERTIES
 HOUSING: POLYESTER, UL 94V-0 RATED, COLOR: GRAY.
 QUICK CONNECT: COPPER ALLOY, TIN PLATED.
- 2. MECHANICAL
 PITCH: .375
 MOUNTING: DIRECT MOUNT OR MINIATURE CHANNEL.
 OPERATING TEMPERATURE: 150°C MAX.
- 3. ELECTRICAL
 MAXIMUM CURRENT: 20A
 OPERATING VOLTAGE: 300 V

1546149-1
 PART NUMBER

THIS DRAWING IS A CONTROLLED DOCUMENT FOR TYCO ELECTRONICS CORPORATION. IT IS SUBJECT TO CHANGE AND THE CONTROLLING ENGINEERING ORGANIZATION SHOULD BE CONTACTED FOR THE LATEST REVISION.		DWN S. WELDON 17JUN2002	Tyco Electronics Harrisburg, PA 17105-3608	
DIMENSIONS: INCHES		CHK S. YODER 17JUN2002	NAME ASSEMBLY, TERMINAL BLOCK, NEMA, FLAT BASE, MEDIUM DUTY, FOUR SIDED QUICK CONNECT	
TOLERANCES UNLESS OTHERWISE SPECIFIED:		APVD S. YODER 17JUN2002	SIZE A2 CAGE CODE 00779 C=1546149	
0 PLC ± 1 PLC ± 2 PLC ± 3 PLC ±.010 4 PLC ±		PRODUCT SPEC -	RESTRICTED TO -	
ANGLES ± FINISH		APPLICATION SPEC -	SCALE 3:1 SHEET 1 OF 1 REV B	
MATERIAL		WEIGHT -	CUSTOMER DRAWING	