



Chipsmall Limited consists of a professional team with an average of over 10 year of expertise in the distribution of electronic components. Based in Hongkong, we have already established firm and mutual-benefit business relationships with customers from,Europe,America and south Asia,supplying obsolete and hard-to-find components to meet their specific needs.

With the principle of "Quality Parts,Customers Priority,Honest Operation,and Considerate Service",our business mainly focus on the distribution of electronic components. Line cards we deal with include Microchip,ALPS,ROHM,Xilinx,Pulse,ON,Everlight and Freescale. Main products comprise IC,Modules,Potentiometer,IC Socket,Relay,Connector.Our parts cover such applications as commercial,industrial, and automotives areas.

We are looking forward to setting up business relationship with you and hope to provide you with the best service and solution. Let us make a better world for our industry!



## Contact us

Tel: +86-755-8981 8866 Fax: +86-755-8427 6832

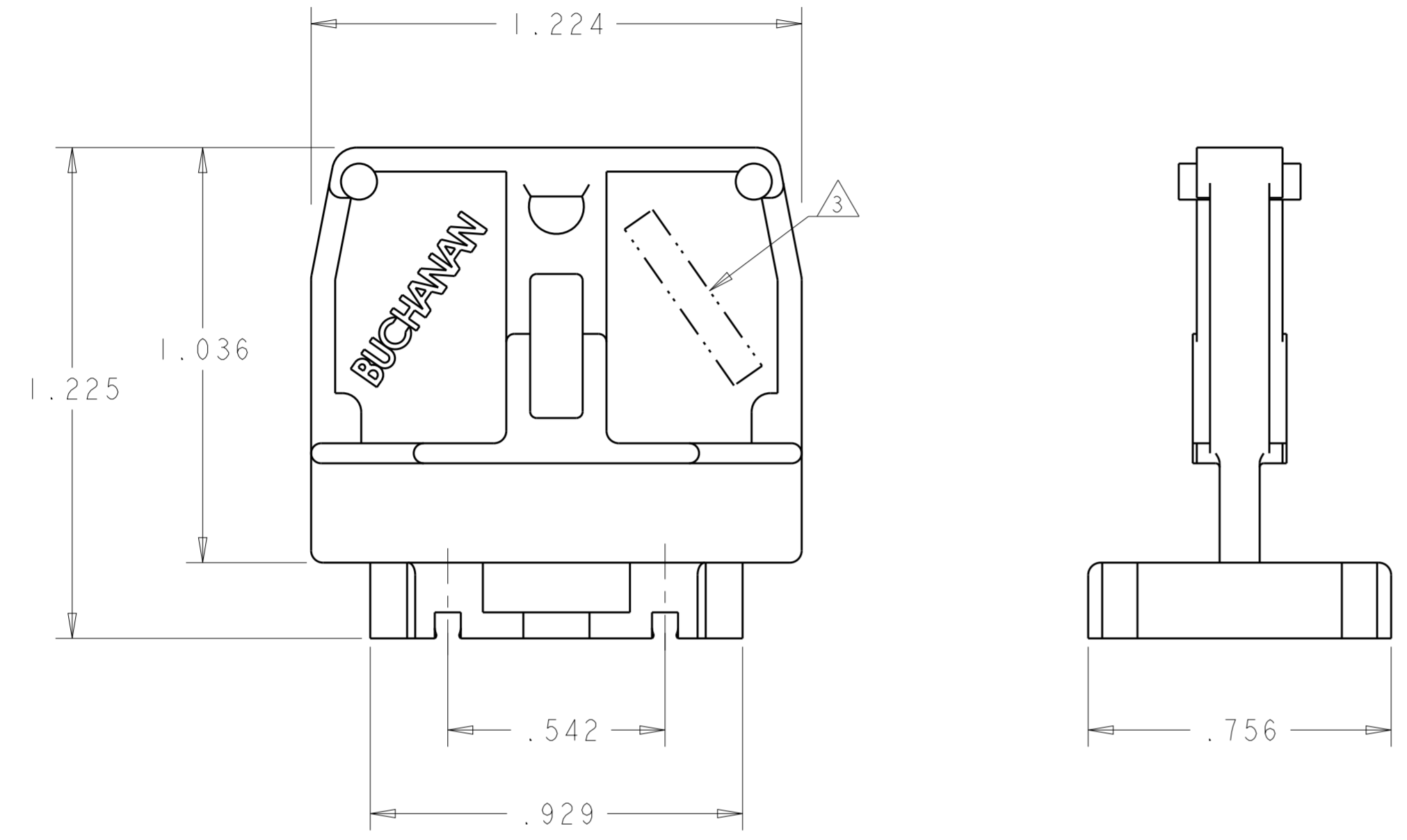
Email & Skype: info@chipsmall.com Web: www.chipsmall.com

Address: A1208, Overseas Decoration Building, #122 Zhenhua RD., Futian, Shenzhen, China

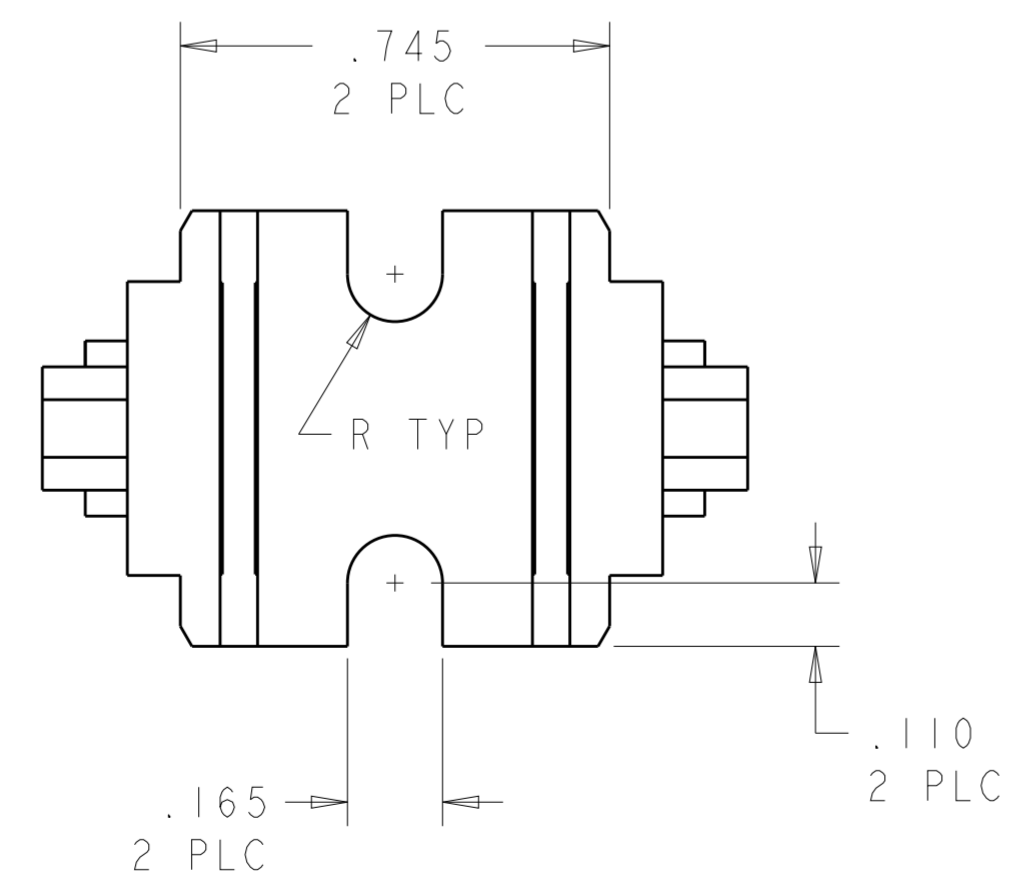


THIS DRAWING IS UNPUBLISHED. RELEASED FOR PUBLICATION 20  
 © COPYRIGHT 20 BY - ALL RIGHTS RESERVED.

LOC		DIST		REVISIONS			
P	LTR	DESCRIPTION	DATE	DWN	APVD		
FT	0	E	REVISED PER ECO-13-000447	11JAN2013	KH MB		



- ① POLYESTER, UL 94V-0 RATED, COLOR: GRAY.
- ② SEE RESTRICTED CUSTOMER DRAWING 3-1437394-9.
- ③ TYCO ELECTRONICS LOGO LOCATED APPROXIMATELY AS SHOWN



3-1437394-9	②
1546163-1	
PART NUMBER	

THIS DRAWING IS A CONTROLLED DOCUMENT.		DWN S. WELDON 13JUN2002	<b>STE</b> TE Connectivity	
DIMENSIONS: INCHES		CHK S. YODER 13JUN2002		
TOLERANCES UNLESS OTHERWISE SPECIFIED:		APVD S. YODER 13JUN2002	NAME: TERMINAL BLOCK, END SECTION MEDIUM DUTY, FLAT BASE	
0 PLC ±	1 PLC ±	PRODUCT SPEC	SIZE CAGE CODE DRAWING NO RESTRICTED TO	
2 PLC ±	3 PLC ±.010	APPLICATION SPEC	A200779 C-1546163	
4 PLC ±	ANGLES ±	WEIGHT	SCALE 3:1 SHEET 1 OF 1 REV E	
MATERIAL	FINISH	CUSTOMER DRAWING		