



Chipsmall Limited consists of a professional team with an average of over 10 year of expertise in the distribution of electronic components. Based in Hongkong, we have already established firm and mutual-benefit business relationships with customers from,Europe,America and south Asia,supplying obsolete and hard-to-find components to meet their specific needs.

With the principle of “Quality Parts,Customers Priority,Honest Operation,and Considerate Service”,our business mainly focus on the distribution of electronic components. Line cards we deal with include Microchip,ALPS,ROHM,Xilinx,Pulse,ON,Everlight and Freescale. Main products comprise IC,Modules,Potentiometer,IC Socket,Relay,Connector.Our parts cover such applications as commercial,industrial, and automotives areas.

We are looking forward to setting up business relationship with you and hope to provide you with the best service and solution. Let us make a better world for our industry!



## Contact us

Tel: +86-755-8981 8866 Fax: +86-755-8427 6832

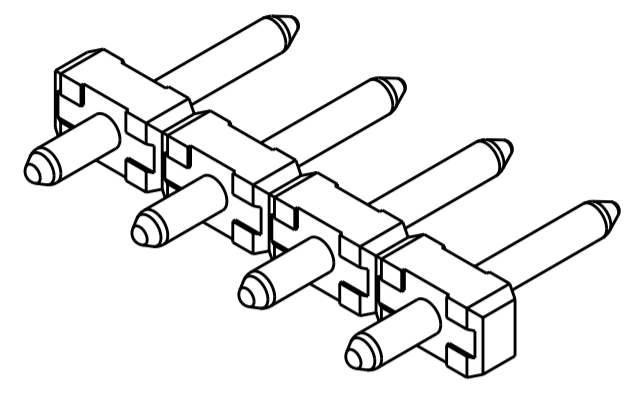
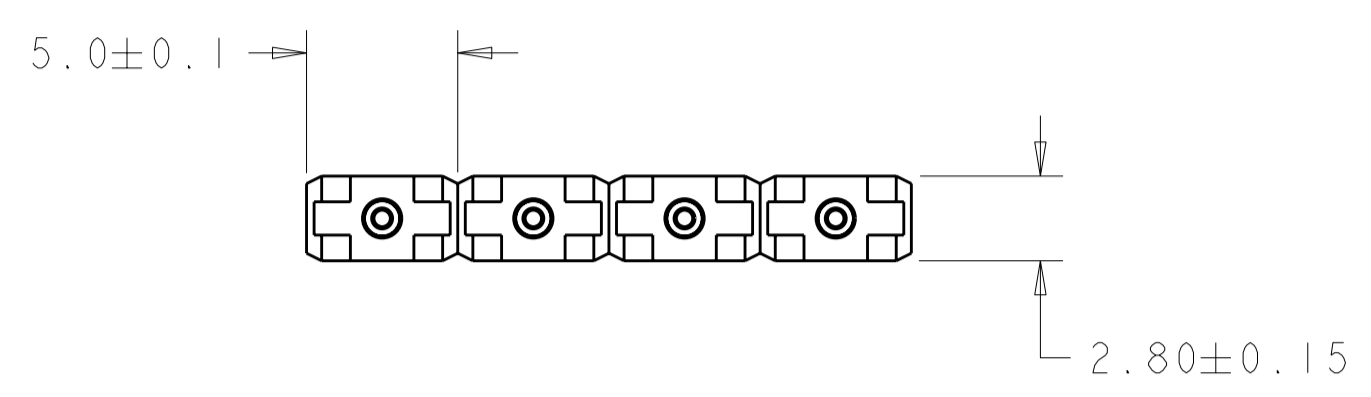
Email & Skype: info@chipsmall.com Web: www.chipsmall.com

Address: A1208, Overseas Decoration Building, #122 Zhenhua RD., Futian, Shenzhen, China

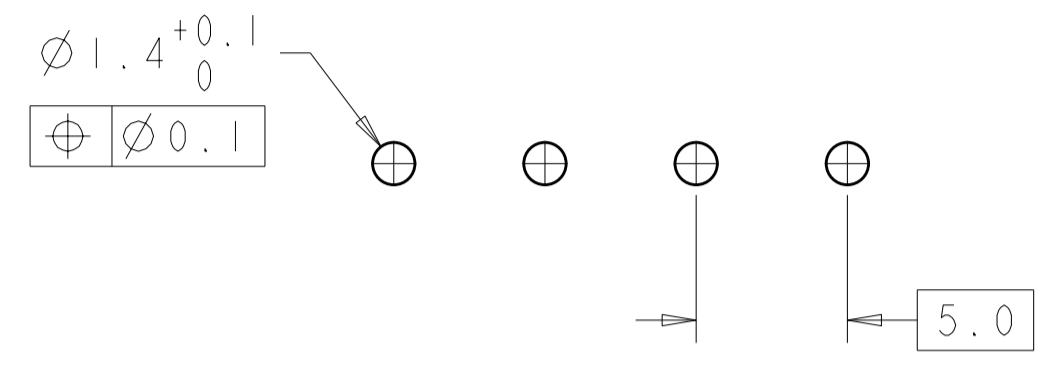


THIS DRAWING IS UNPUBLISHED. RELEASED FOR PUBLICATION 20  
 © COPYRIGHT 20 Tyco Electronics AMP GmbH ALL RIGHTS RESERVED.

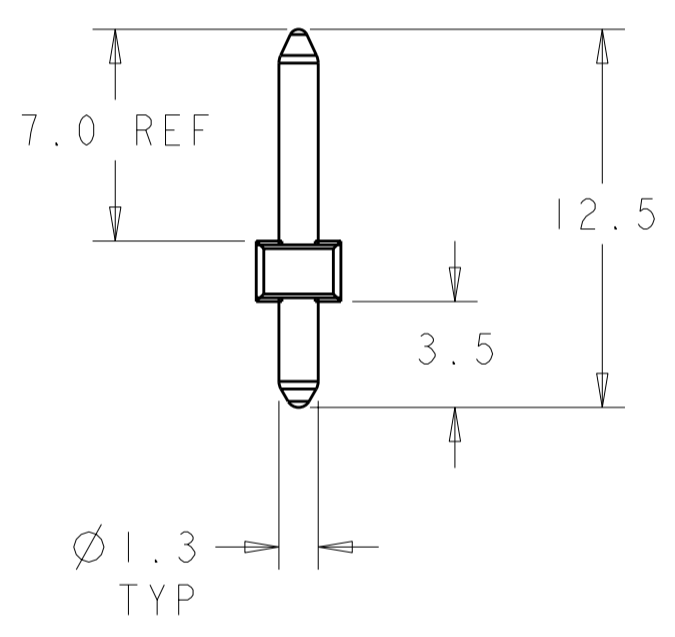
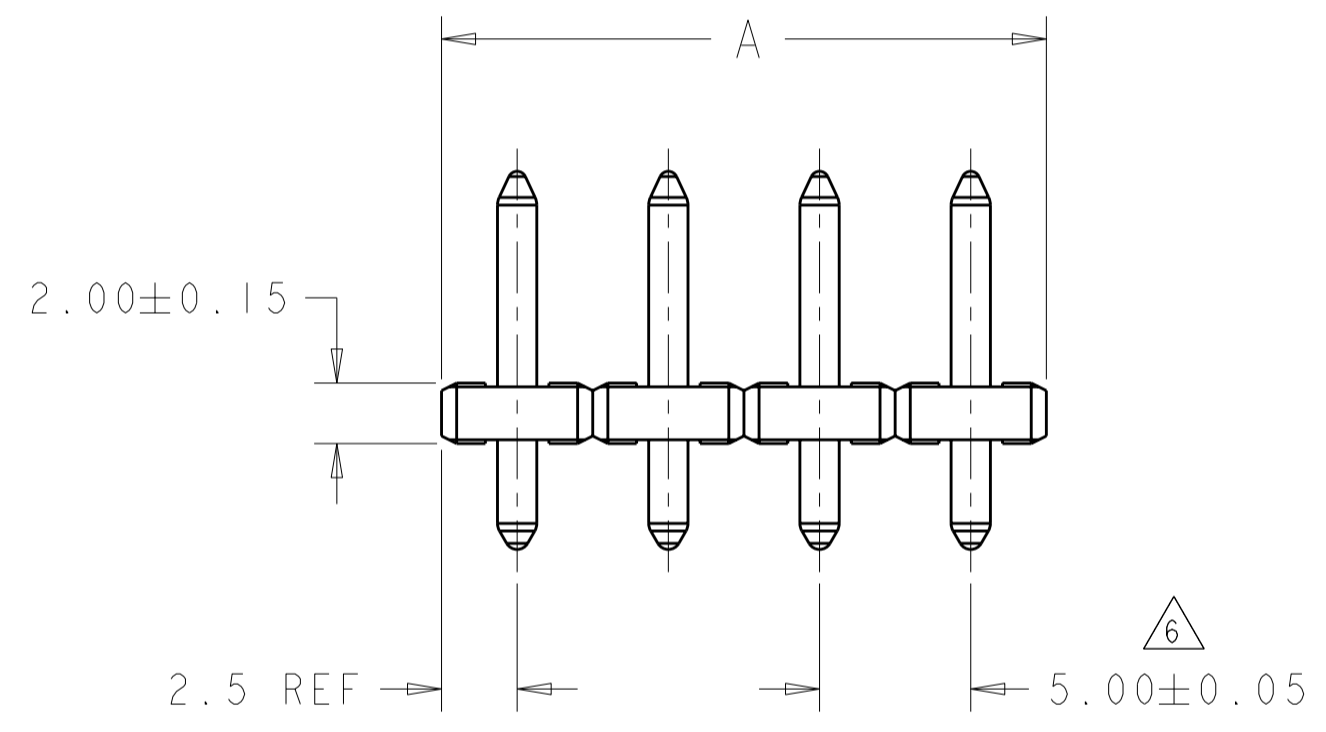
LOC		DIST		REVISIONS			
P	LTR	DESCRIPTION	DATE	DWN	APVD		
FT	0	AI	REVISED PER ECO-12-007964	02MAY2012	KH	MS	



1546214-4 AS SHOWN



RECOMMENDED PC BOARD LAYOUT



1. MATERIALS AND FINISH:  
 HOUSING: PA 6-6, UL 94-V0, COLOR: GRAY.  
 TERMINAL: COPPER ALLOY, TIN PLATED.
2. SUITABLE FOR 1,6-2,4mm PC BOARD THICKNESS.
3. END-TO-END STACKABLE WITHOUT LOSS OF CENTERLINE SPACING.
4. RECOGNIZED UNDER THE COMPONENT PROGRAM OF UNDERWRITERS LABORATORIES INC. FILE N° E60677.
5. IMQ CERTIFICATE WITH SURVEILLANCE IN CONFORMITY WITH IEC 998-1/998-2-1.
6. NOT CUMULATIVE TOLERANCE.

125	25	2-1546214-5
120	24	2-1546214-4
115	23	2-1546214-3
110	22	2-1546214-2
105	21	2-1546214-1
100	20	2-1546214-0
95	19	1-1546214-9
90	18	1-1546214-8
85	17	1-1546214-7
80	16	1-1546214-6
75	15	1-1546214-5
70	14	1-1546214-4
65	13	1-1546214-3
60	12	1-1546214-2
55	11	1-1546214-1
50	10	1-1546214-0
45	9	1546214-9
40	8	1546214-8
35	7	1546214-7
30	6	1546214-6
25	5	1546214-5
20	4	1546214-4
15	3	1546214-3
10	2	1546214-2
A	NO OF POSN	PART NUMBER

THIS DRAWING IS A CONTROLLED DOCUMENT.

DIMENSIONS:	TOLERANCES UNLESS OTHERWISE SPECIFIED:	DWN S. WELDON 27FEB2004	TE Connectivity
mm	0 PLC ±-	CHK C. RICHARD 27FEB2004	
	1 PLC ±.3	APVD C. RICHARD 27FEB2004	
	2 PLC ±.25	PRODUCT SPEC 108-20166	
	3 PLC ±-	APPLICATION SPEC 114-20079	NAME TERMINAL BLOCK, PIN HEADER, UNSHROUDED, 5.0mm PITCH
	4 PLC ±-	WEIGHT -	SIZE A2
MATERIAL	FINISH	CUSTOMER DRAWING	CAGE CODE 00779
			DRAWING NO 1546214
			RESTRICTED TO -
			SCALE 4:1
			SHEET 1 OF 1
			REV AI