



Chipsmall Limited consists of a professional team with an average of over 10 year of expertise in the distribution of electronic components. Based in Hongkong, we have already established firm and mutual-benefit business relationships with customers from,Europe,America and south Asia,supplying obsolete and hard-to-find components to meet their specific needs.

With the principle of "Quality Parts,Customers Priority,Honest Operation,and Considerate Service",our business mainly focus on the distribution of electronic components. Line cards we deal with include Microchip,ALPS,ROHM,Xilinx,Pulse,ON,Everlight and Freescale. Main products comprise IC,Modules,Potentiometer,IC Socket,Relay,Connector.Our parts cover such applications as commercial,industrial, and automotives areas.

We are looking forward to setting up business relationship with you and hope to provide you with the best service and solution. Let us make a better world for our industry!



Contact us

Tel: +86-755-8981 8866 Fax: +86-755-8427 6832

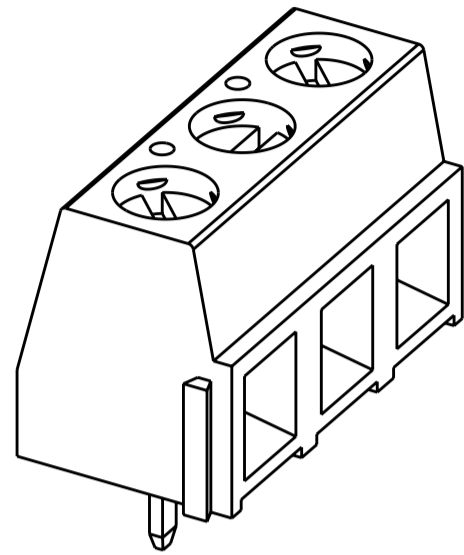
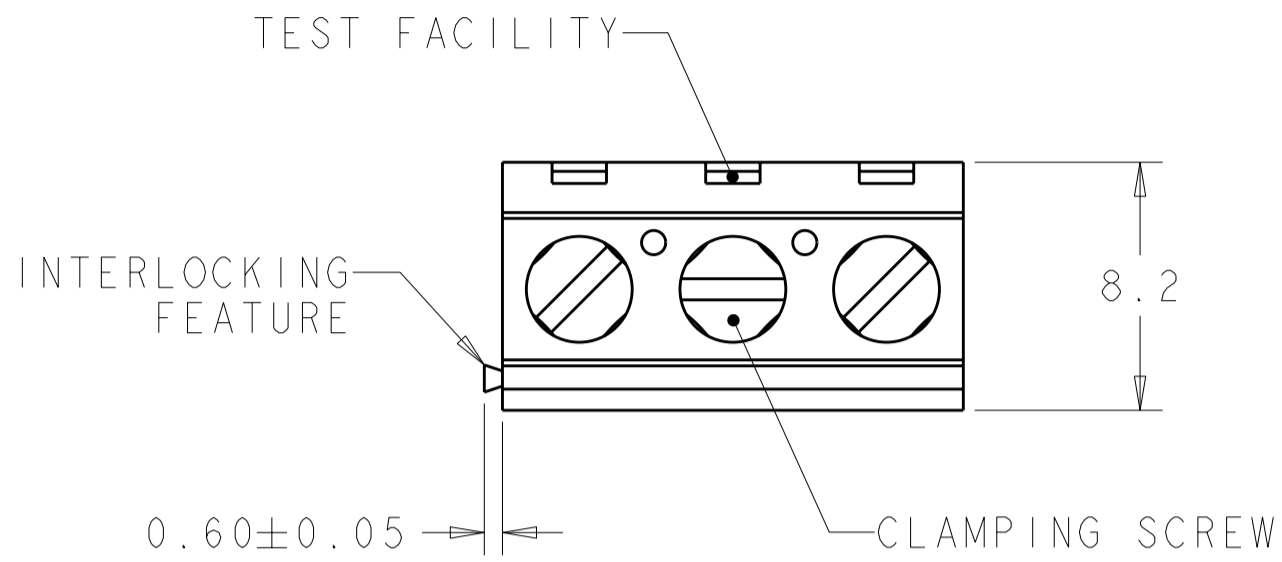
Email & Skype: info@chipsmall.com Web: www.chipsmall.com

Address: A1208, Overseas Decoration Building, #122 Zhenhua RD., Futian, Shenzhen, China



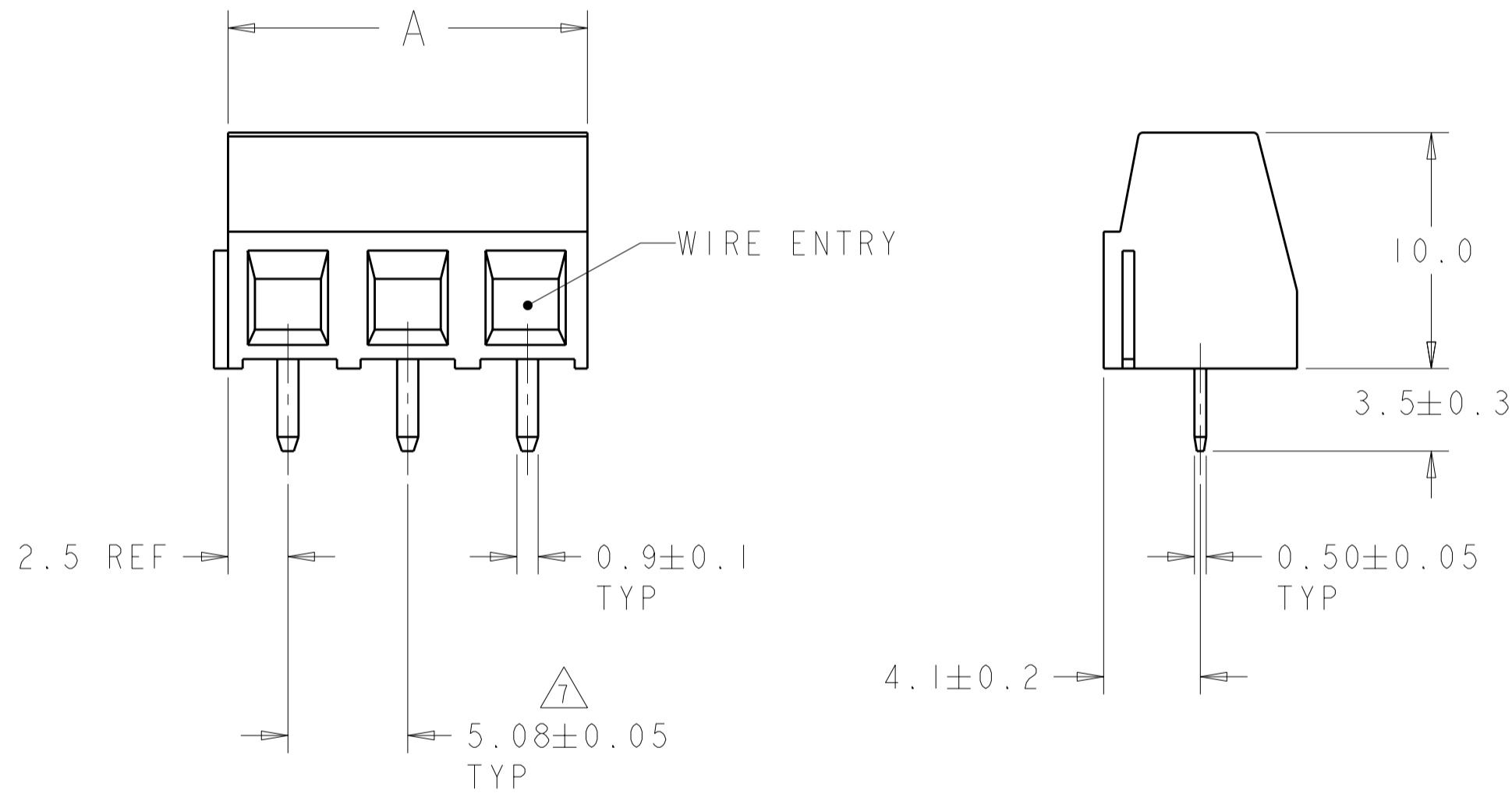
THIS DRAWING IS UNPUBLISHED. RELEASED FOR PUBLICATION 20
 © COPYRIGHT 20 BY - ALL RIGHTS RESERVED.

LOC		DIST		REVISIONS			
P	LTR	DESCRIPTION	DATE	DWN	APVD		
	A2	REVISED PER ECO-11-005027	16MAR2011	RK	HMR		

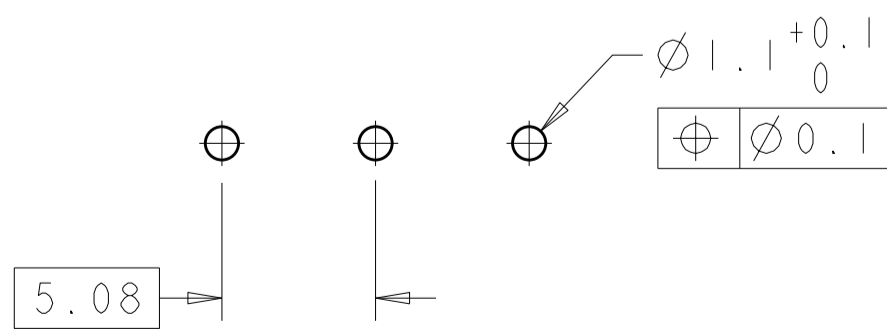


1546217-3 AS SHOWN

- 1. MATERIALS AND FINISH
 HOUSING: PA 6-6, UL 94-V0, COLOR GRAY.
 CLAMP: BRASS, NICKEL PLATED.
 TERMINAL: BRASS, TIN PLATED.
 CLAMPING SCREW: M3, BRASS, NICKEL PLATED.
 - 2. SUITABLE FOR 1,6-2,4mm PCB BOARD THICKNESS.
 - 3. END-TO-END STACKABLE W/INTERLOCK WITHOUT LOSS OF CENTERLINE SPACING.
 - 4. WIRE SIZE RANGE: 16-30 AWG.
 - 5. RECOGNIZED UNDER THE COMPONENT PROGRAM OF UNDERWRITERS LABORATORIES INC., FILE N° E60677.
 - 6. IMQ CERTIFICATE WITH SURVEILLANCE IN CONFORMITY WITH IEC 998-1/998-2-1.
- ⚠ NOT CUMULATIVE TOLERANCE.



127.00	25	2-1546217-5
121.92	24	2-1546217-4
116.84	23	2-1546217-3
111.76	22	2-1546217-2
106.68	21	2-1546217-1
101.60	20	2-1546217-0
96.52	19	1-1546217-9
91.44	18	1-1546217-8
86.36	17	1-1546217-7
81.28	16	1-1546217-6
76.20	15	1-1546217-5
71.12	14	1-1546217-4
66.04	13	1-1546217-3
60.96	12	1-1546217-2
55.88	11	1-1546217-1
50.80	10	1-1546217-0
45.72	9	1546217-9
40.64	8	1546217-8
35.56	7	1546217-7
30.48	6	1546217-6
25.40	5	1546217-5
20.32	4	1546217-4
15.24	3	1546217-3
10.16	2	1546217-2
A	NO OF POSN	PART NUMBER



RECOMMENDED PC BOARD LAYOUT

THIS DRAWING IS A CONTROLLED DOCUMENT.		DWN S.WELDON 14APR2003	TE Connectivity	
DIMENSIONS: mm		CHK C.RICHARD 14APR2003		
TOLERANCES UNLESS OTHERWISE SPECIFIED:		APVD C.RICHARD 14APR2003		
0 PLC ±- 1 PLC ±.3 2 PLC ±.25 3 PLC ±- 4 PLC ±- ANGLES ±2 FINISH		PRODUCT SPEC 108-20166		
MATERIAL		APPLICATION SPEC 114-20079	NAME	TERMINAL BLOCK, PCB MOUNT SIDE ENTRY WIRE, STACKING W/INTERLOCK, 5.08mm PITCH
⚠		WEIGHT -	SIZE	A2
		CUSTOMER DRAWING	CAGE CODE	00779
			DRAWING NO	1546217
			RESTRICTED TO	-
			SCALE	4:1
			SHEET	1 OF 1
			REV	A2