



Chipsmall Limited consists of a professional team with an average of over 10 year of expertise in the distribution of electronic components. Based in Hongkong, we have already established firm and mutual-benefit business relationships with customers from,Europe,America and south Asia,supplying obsolete and hard-to-find components to meet their specific needs.

With the principle of "Quality Parts,Customers Priority,Honest Operation,and Considerate Service",our business mainly focus on the distribution of electronic components. Line cards we deal with include Microchip,ALPS,ROHM,Xilinx,Pulse,ON,Everlight and Freescale. Main products comprise IC,Modules,Potentiometer,IC Socket,Relay,Connector.Our parts cover such applications as commercial,industrial, and automotives areas.

We are looking forward to setting up business relationship with you and hope to provide you with the best service and solution. Let us make a better world for our industry!



Contact us

Tel: +86-755-8981 8866 Fax: +86-755-8427 6832

Email & Skype: info@chipsmall.com Web: www.chipsmall.com

Address: A1208, Overseas Decoration Building, #122 Zhenhua RD., Futian, Shenzhen, China



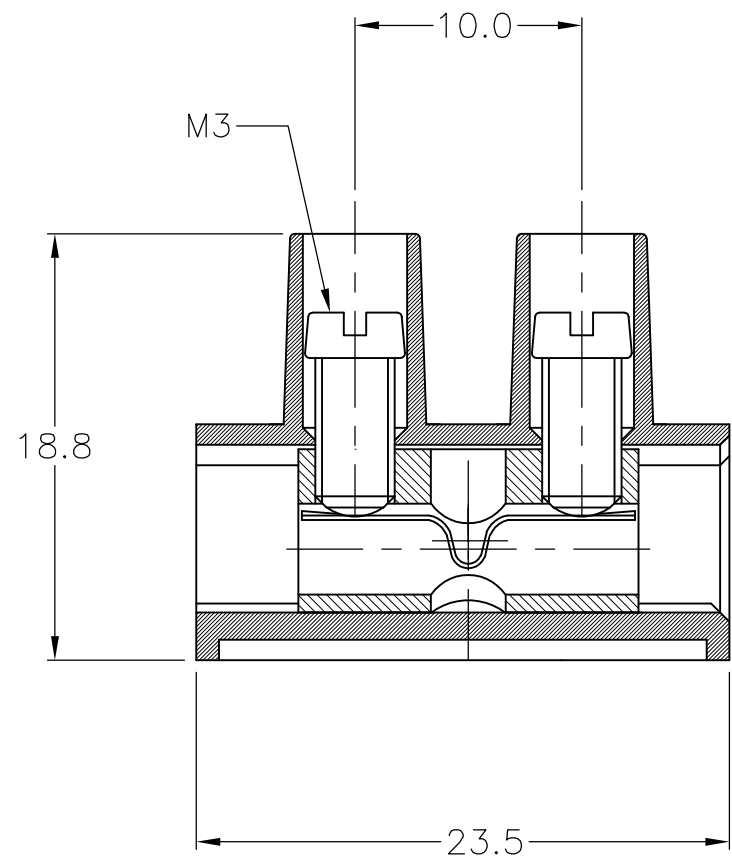
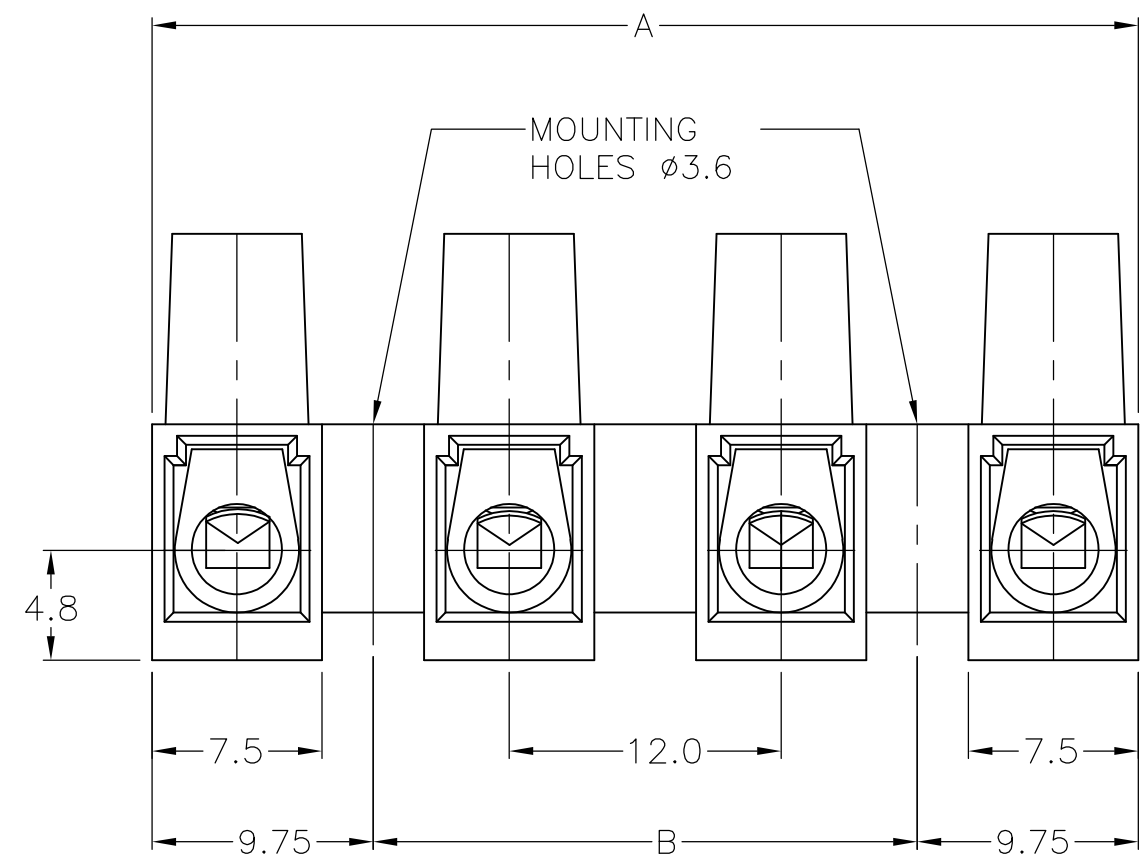
THIS DRAWING IS UNPUBLISHED. RELEASED FOR PUBLICATION
 © COPYRIGHT BY TYCO ELECTRONICS CORPORATION. ALL RIGHTS RESERVED.

LOC	DIST	REVISIONS			
P	LTR	DESCRIPTION	DATE	DWN	APVD
FT	0	A	RELEASE	5/21/02	SS DB
		A1	REVISED PER ECO-09-024927	06NOV09	KK AEG

NOTE

- MATERIAL
HOUSING - POLYIMIDE 6 UL94V-2
COLOR - NATURAL(OFF WHITE)
- CURRENT RATING: 40A, 250V
10-22 AWG

3 OBSOLETE PARTS: OBSOLETE CIS STREAMLINING
 PER D.RENAUD/D.SINISI



SUPERCEDED 3	120	139.5	TSB1000 12MDS	1-1546301-2
	108	127.5	TSB1000 11MDS	1-1546301-1
	96	115.5	TSB1000 10MDS	1-1546301-0
SUPERCEDED 3	84	103.5	TSB1000 09MDS	1546301-9
	72	91.5	TSB1000 08MDS	1546301-8
	60	79.5	TSB1000 07MDS	1546301-7
	48	67.5	TSB1000 06MDS	1546301-6
SUPERCEDED 3	36	55.5	TSB1000 05MDS	1546301-5
	24	43.5	TSB1000 04MDS	1546301-4
	12	31.5	TSB1000 03MDS	1546301-3
SUPERCEDED 3	-	19.5	TSB1000 02MDS	1546301-2
	-	7.5	TSB1000 01MDS	1546301-1
	DIM B	DIM A	T & B PART NUMBER	TYCO PART NUMBER

THIS DRAWING IS A CONTROLLED DOCUMENT.		DWN S SCHLEGEL 5/21/02	BUCHANAN Tyco Electronics Corporation Harrisburg, PA 17105-3608			
DIMENSIONS: MM		CHK S SCHLEGEL 5/21/02				
TOLERANCES UNLESS OTHERWISE SPECIFIED:		APVD D. BIEVENOUR 5/21/02	NAME			
0 PLC ± - 1 PLC ± .3 2 PLC ± .25 3 PLC ± - 4 PLC ± - ANGLES ± 2		PRODUCT SPEC	EUROPA TERMINAL BLOCK W/WIRE STOP MOUNTING HOLES Ø 3.6, 12mm PITCH			
MATERIAL		APPLICATION SPEC	SIZE	CAGE CODE	DRAWING NO	RESTRICTED TO
FINISH		WEIGHT	A3	00779	C-1546301	-
CUSTOMER DRAWING			SCALE	SHEET	OF	REV
			3:1	1	1	A1