



Chipsmall Limited consists of a professional team with an average of over 10 year of expertise in the distribution of electronic components. Based in Hongkong, we have already established firm and mutual-benefit business relationships with customers from,Europe,America and south Asia,supplying obsolete and hard-to-find components to meet their specific needs.

With the principle of “Quality Parts,Customers Priority,Honest Operation,and Considerate Service”,our business mainly focus on the distribution of electronic components. Line cards we deal with include Microchip,ALPS,ROHM,Xilinx,Pulse,ON,Everlight and Freescale. Main products comprise IC,Modules,Potentiometer,IC Socket,Relay,Connector.Our parts cover such applications as commercial,industrial, and automotives areas.

We are looking forward to setting up business relationship with you and hope to provide you with the best service and solution. Let us make a better world for our industry!



Contact us

Tel: +86-755-8981 8866 Fax: +86-755-8427 6832

Email & Skype: info@chipsmall.com Web: www.chipsmall.com

Address: A1208, Overseas Decoration Building, #122 Zhenhua RD., Futian, Shenzhen, China



THIS DRAWING IS UNPUBLISHED. RELEASED FOR PUBLICATION
 © COPYRIGHT - By - ALL RIGHTS RESERVED.

| REVISIONS | | | | | |
|-----------|-----|---------------------------|---------|-----|------|
| P | LTR | DESCRIPTION | DATE | DWN | APVD |
| | T4 | REVISED PER ECO-11-004587 | 11MAR11 | RK | HMR |

PHYSICAL PROPERTIES:
 HOUSING MATERIAL: PBT
 FLAMMABILITY: UL94V-0
 COLOR: BLACK
 MAX BOW/WARP: .0056 IN/IN.

TERMINAL:
 TERMINALS: BRASS, TIN PLATED. (UNLESS OTHERWISE STATED)
 SCREWS: 8-32 STEEL, NICKEL PLATED. (UNLESS OTHERWISE STATED)
 Q.C. TABS: BRASS, NICKEL PLATED.

MECHANICAL:
 PITCH (TERMINAL SPACING): .563"
 WIRE RANGE: 10-22 AWG
 RECOMMENDED TIGHTENING TORQUE: 14IN-LBS MAX.

ELECTRICAL PROPERTIES:
 MAXIMUM CURRENT: 30A
 OPERATING VOLTAGE: 300V

ENVIRONMENTAL PROPERTIES:
 OPERATING TEMP RANGE: -40°C TO 120°C

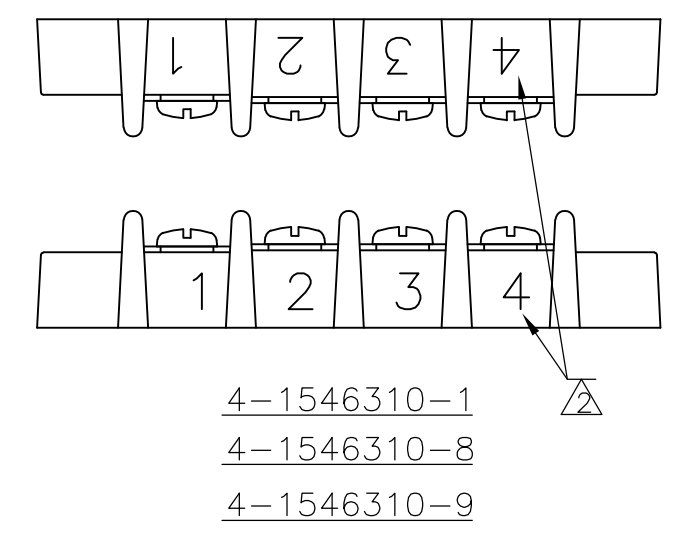
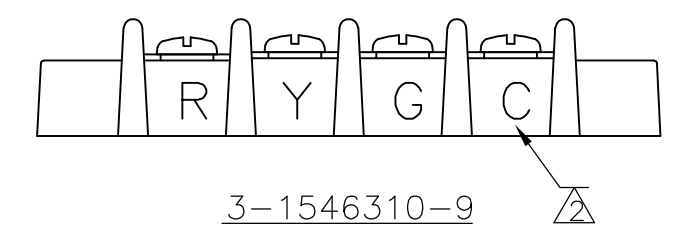
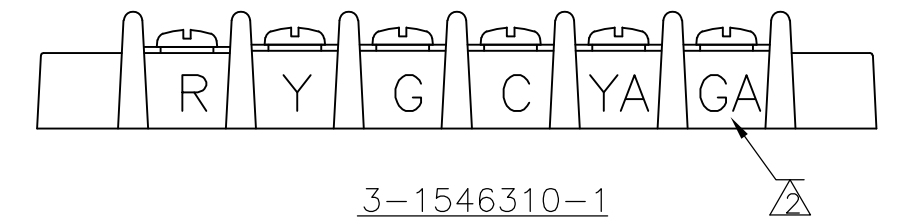
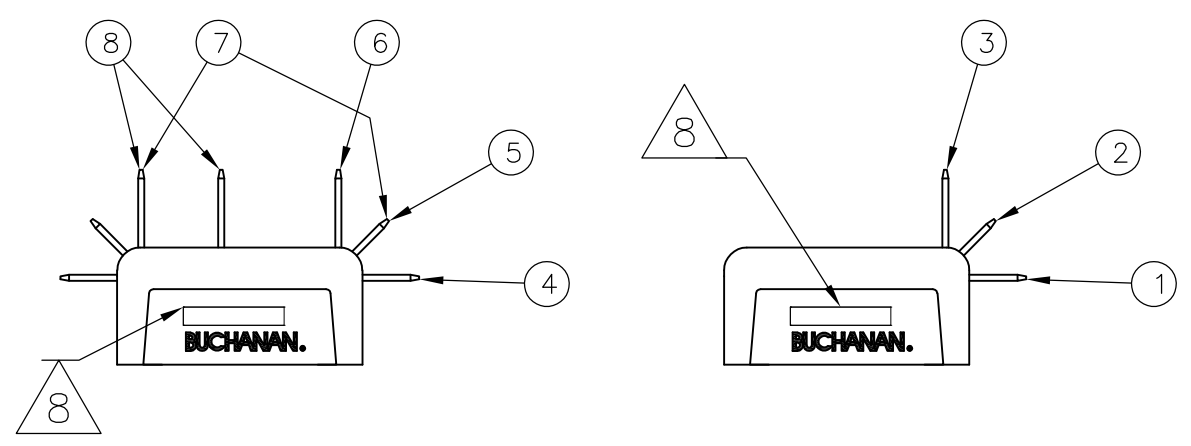
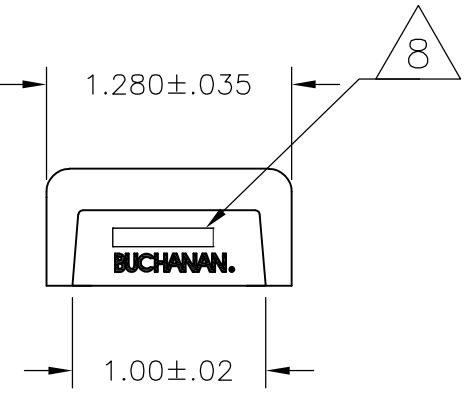
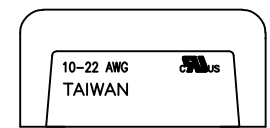
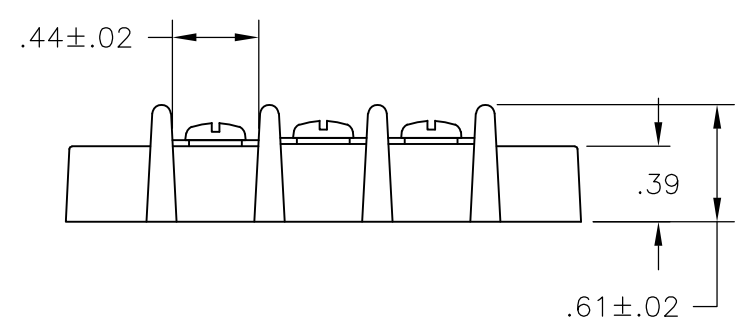
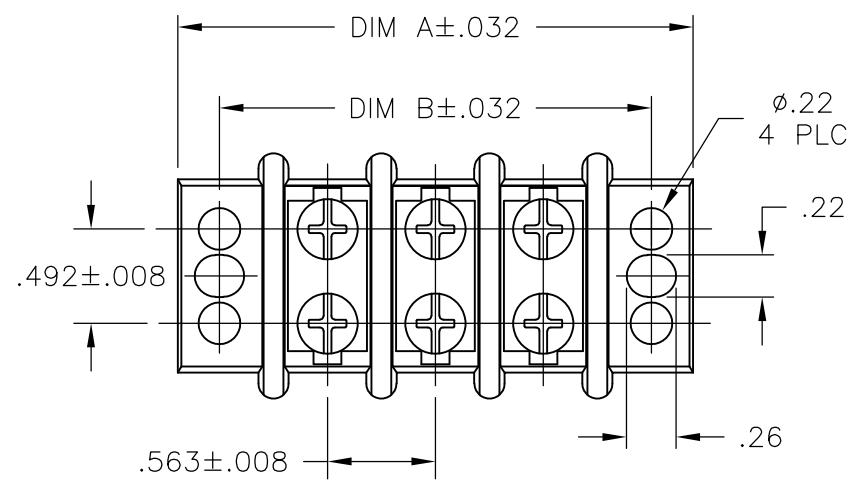
- △ STAINLESS STEEL SCREWS.
- △ WHITE INK STAMP.
- △ NICKEL PLATED BRASS TERMINALS.
- △ NICKEL PLATED BRASS SCREWS.
- △ SEE FIGURE.
- △ PRELIMINARY PART NUMBER.
- △ OBSOLETE PART NUMBER.
- △ TE CONNECTIVITY LOGO LOCATED APPROXIMATE AREA SHOWN.

| | | | | | | | | | | | | | | |
|-------------|---|---|---|---|----|----|----|----|----|---|-------|-------|----|-------------|
| △5 | - | - | - | - | - | - | - | - | - | - | 7.886 | 8.323 | 13 | 1-1546310-3 |
| △2/△6 | - | - | - | - | - | - | 12 | 12 | 12 | - | 7.323 | 7.760 | 12 | 4-1546310-8 |
| △6 | - | 8 | - | - | - | 12 | 12 | 12 | - | - | 7.323 | 7.760 | 12 | 4-1546310-7 |
| - | - | - | - | - | 12 | 12 | 12 | - | - | - | 7.323 | 7.760 | 12 | 4-1546310-6 |
| - | - | - | - | - | - | - | - | - | - | - | 7.323 | 7.760 | 12 | 1-1546310-2 |
| - | - | - | - | - | - | - | - | - | - | - | 6.760 | 7.179 | 11 | 1-1546310-1 |
| - | - | - | - | - | - | - | - | - | - | - | 6.197 | 6.634 | 10 | 1-1546310-0 |
| - | - | - | - | - | - | - | - | - | - | - | 5.634 | 6.071 | 9 | 1546310-9 |
| △4 | - | - | - | - | - | - | - | - | - | 8 | 5.071 | 5.508 | 8 | 4-1546310-5 |
| - | - | 8 | 8 | - | - | - | - | - | - | - | 5.071 | 5.508 | 8 | 2-1546310-9 |
| - | - | - | - | - | - | - | - | - | - | - | 5.071 | 5.508 | 8 | 1546310-8 |
| - | - | - | - | - | - | 7 | - | - | - | - | 4.508 | 4.945 | 7 | 3-1546310-8 |
| - | - | - | - | - | - | - | - | - | - | - | 4.508 | 4.945 | 7 | 1546310-7 |
| △4 | - | - | - | - | - | - | - | - | - | 6 | 3.945 | 4.382 | 6 | 4-1546310-4 |
| △4/△6 | - | - | - | - | - | - | - | - | - | - | 3.945 | 4.382 | 6 | 4-1546310-3 |
| - | - | - | - | - | - | - | - | - | - | 6 | 3.945 | 4.382 | 6 | 4-1546310-2 |
| △5/△3/△2/△1 | - | - | - | - | - | - | - | - | - | - | 3.945 | 4.382 | 6 | 3-1546310-1 |
| - | - | - | - | - | - | 6 | - | - | - | - | 3.945 | 4.382 | 6 | 3-1546310-0 |
| - | - | 6 | 6 | - | - | - | - | - | - | - | 3.945 | 4.382 | 6 | 2-1546310-8 |
| △6/△5/△4/△3 | - | 1 | 1 | - | - | 5 | 1 | - | - | - | 3.945 | 4.382 | 6 | 2-1546310-6 |
| △6/△1 | - | - | - | - | - | - | - | 6 | - | - | 3.945 | 4.382 | 6 | 2-1546310-3 |
| △6/△1 | - | - | - | - | 6 | - | - | - | - | - | 3.945 | 4.382 | 6 | 2-1546310-2 |
| △6 | - | - | - | - | - | - | - | - | 6 | 6 | 3.945 | 4.382 | 6 | 2-1546310-1 |
| △6/△5/△2 | - | - | - | - | - | - | - | - | 6 | 6 | 3.945 | 4.382 | 6 | 1546636-1 |
| △6/△1 | - | - | - | 6 | - | - | - | - | 6 | - | 3.945 | 4.382 | 6 | 1-1546310-9 |
| △1 | - | - | - | 6 | - | - | - | - | - | - | 3.945 | 4.382 | 6 | 1546589-1 |
| - | - | - | - | - | - | - | - | - | - | - | 3.945 | 4.382 | 6 | 1546310-6 |
| - | - | - | - | - | - | 5 | - | - | - | - | 3.382 | 3.819 | 5 | 3-1546310-7 |
| △6/△5/△4/△3 | - | 1 | 1 | - | - | - | 1 | - | 5 | - | 3.382 | 3.819 | 5 | 2-1546310-7 |
| - | - | - | - | - | - | - | - | - | - | - | 3.382 | 3.819 | 5 | 1546310-5 |
| △2/△6 | - | - | - | - | - | - | - | 4 | 4 | 4 | 2.819 | 3.256 | 4 | 5-1546310-0 |
| △5/△4/△3/△2 | - | - | - | - | - | - | - | - | - | - | 2.819 | 3.256 | 4 | 4-1546310-1 |
| △7/△4 | - | - | - | - | - | - | - | - | - | - | 2.819 | 3.256 | 4 | 4-1546310-0 |
| △5/△3/△2/△1 | - | - | - | - | - | - | - | - | - | - | 2.819 | 3.256 | 4 | 3-1546310-9 |
| - | - | - | - | - | - | - | - | - | - | - | 2.819 | 3.256 | 4 | 1546310-4 |
| △6/△4/△3 | - | - | - | - | - | - | - | - | - | - | 2.256 | 2.693 | 3 | 2-1546310-5 |
| △6/△5/△1 | - | - | - | - | - | - | - | 3 | 1 | - | 2.256 | 2.693 | 3 | 2-1546310-4 |
| △6/△5/△1 | - | - | - | 1 | 2 | - | - | 1 | - | - | 2.256 | 2.693 | 3 | 2-1546310-0 |
| - | - | - | - | - | - | - | - | - | - | - | 2.256 | 2.693 | 3 | 1546310-3 |
| - | - | - | - | - | - | - | 2 | - | 2 | - | 1.693 | 2.130 | 2 | 5-1546310-1 |
| - | - | - | - | - | - | - | - | - | - | - | 1.693 | 2.130 | 2 | 1546310-2 |

| NOTES | 9 | OTB JUMPER | 8 | .250 QC TAB 90° DOUBLE SIDE | 7 | .250 QC TAB 90°/45° DOUBLE SIDE | 6 | .250 QC TAB 90° DOUBLE SIDE | 5 | .250 QC TAB 45° DOUBLE SIDE | 4 | .250 QC TAB STRAIGHT DOUBLE SIDE | 3 | .250 QC TAB 90° SINGLE SIDE | 2 | .250 QC TAB 45° SINGLE SIDE | 1 | .250 QC TAB STRAIGHT SINGLE SIDE | DIM B | DIM A | NO. OF POSN | PART NUMBER | | | | | | | | | | | | | | | | | | | | | | | | | | | | | | | | |
|--|---|------------|---|--------------------------------|---|---------------------------------------|---|--------------------------------|---|--------------------------------|---|--|---|--------------------------------|---|--------------------------------|---|--|-----------|------------|----------------|--|-----------|--|--|---|-----------|--|--|---------|-----------|--------------|-------|------------|-----------|---------------|-----|-------|------------|-----|----|--|--------|--|--|--|--------|--|--|--|------------------|--|--|--|
| THIS DRAWING IS A CONTROLLED DOCUMENT. | | | | | | | | | | | | | | | | | | | DWN | S SCHLEGEL | 16FEB2007 | TE Connectivity | | | | 14.3 (.563) DBL ROW BARRIER STRIP W/O WASHER | | | | SIZE | A2 | CAGE CODE | 00779 | DRAWING NO | C=1546310 | RESTRICTED TO | - | | | | | | | | | | | | | | | | | |
| DIMENSIONS: INCHES | | | | | | | | | | | | | | | | | | | CHK | S YODER | 2/16/07 | TOLERANCES UNLESS OTHERWISE SPECIFIED: | | | | APVD | | | | S YODER | 2/16/07 | PRODUCT SPEC | | | | SCALE | NTS | SHEET | 1 OF 4 | REV | T4 | | | | | | | | | | | | | |
| MATERIAL | | | | | | | | | | | | | | | | | | | 0 PLC ± - | | | | 1 PLC ± - | | | | 2 PLC ± - | | | | 3 PLC ± - | | | | 4 PLC ± - | | | | ANGLES ± - | | | | FINISH | | | | WEIGHT | | | | CUSTOMER DRAWING | | | |

THIS DRAWING IS UNPUBLISHED. RELEASED FOR PUBLICATION
 © COPYRIGHT - By - ALL RIGHTS RESERVED.

| LOC | DIST | REVISIONS | | | | | |
|-----|------|-----------|-----|-------------|------|-----|------|
| FT | 0 | P | LTR | DESCRIPTION | DATE | DWN | APVD |
| | | - | - | SEE SHEET 1 | - | - | - |



| | | | | | | | | | | | | | | |
|-------|---|---|---|---|---|---|---|----|----|-------|--------|-------------|-------------|-------------|
| 2 | - | - | - | - | - | - | 2 | - | 2 | - | 1.693 | 2.130 | - | 5-1546310-1 |
| - | - | - | - | - | - | - | - | - | - | - | 10.701 | 11.138 | 18 | 1-1546310-8 |
| - | - | - | - | - | - | - | - | - | - | - | 10.138 | 10.575 | 17 | 1-1546310-7 |
| - | - | - | - | - | - | - | - | - | - | - | 9.575 | 10.012 | 16 | 1-1546310-6 |
| - | - | - | - | - | - | - | - | - | - | - | 9.012 | 9.449 | 15 | 1-1546310-5 |
| 2/6 | - | - | - | - | - | - | - | 14 | 14 | 14 | 8.449 | 8.886 | 14 | 4-1546310-9 |
| - | - | - | - | - | - | - | - | - | - | - | 8.449 | 8.886 | 14 | 1-1546310-4 |
| NOTES | 9 | 8 | 7 | 6 | 5 | 4 | 3 | 2 | 1 | DIM B | DIM A | NO. OF POSN | PART NUMBER | |

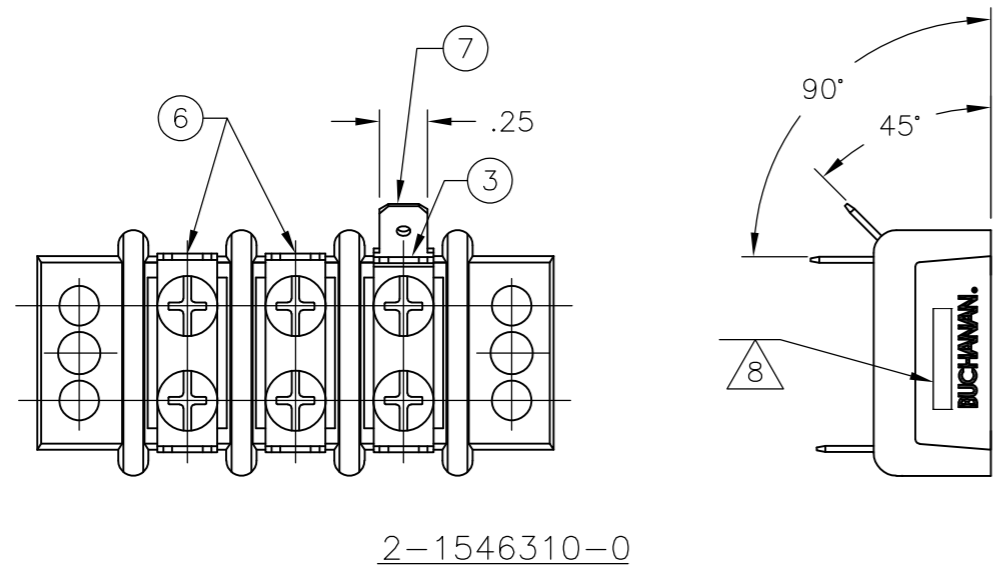
THIS DRAWING IS A CONTROLLED DOCUMENT.

| | | | |
|--------------------|--|--------------------------|--|
| DIMENSIONS: INCHES | TOLERANCES UNLESS OTHERWISE SPECIFIED: | DWN S SCHLEGEL 16FEB2007 | TE Connectivity NAME 14.3 (.563) DBL ROW BARRIER STRIP W/O WASHER |
| | 0 PLC ± - | CHK S YODER 2/16/07 | |
| | 1 PLC ± - | APVD S YODER 2/16/07 | |
| | 2 PLC ± - | PRODUCT SPEC | |
| MATERIAL | FINISH | APPLICATION SPEC | SIZE CAGE CODE DRAWING NO RESTRICTED TO |
| | | WEIGHT | A2 00779 C=1546310 |
| | | CUSTOMER DRAWING | SCALE NTS SHEET 2 of 4 REV T4 |

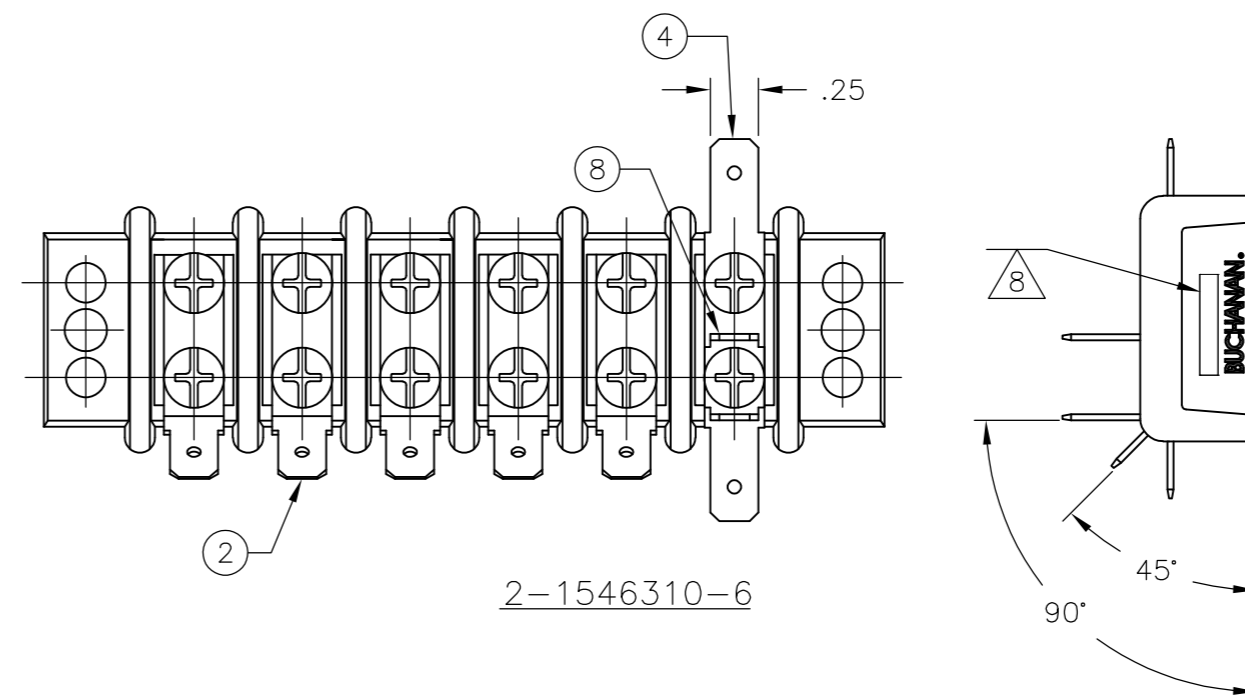
1546310

THIS DRAWING IS UNPUBLISHED. RELEASED FOR PUBLICATION
 © COPYRIGHT - By - ALL RIGHTS RESERVED.

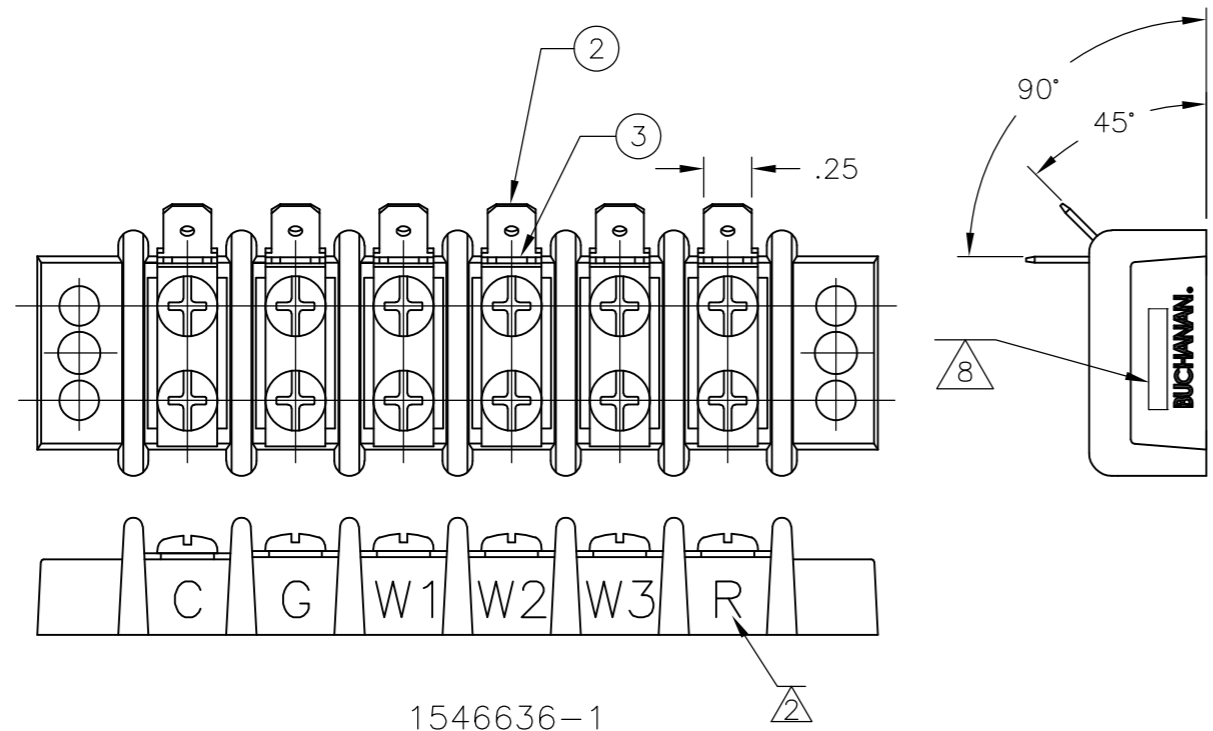
| LOC | | DIST | | REVISIONS | | | |
|-----|-----|-------------|------|-----------|------|--|--|
| P | LTR | DESCRIPTION | DATE | DWN | APVD | | |
| FT | 0 | | | | | | |
| | | SEE SHEET 1 | | | | | |



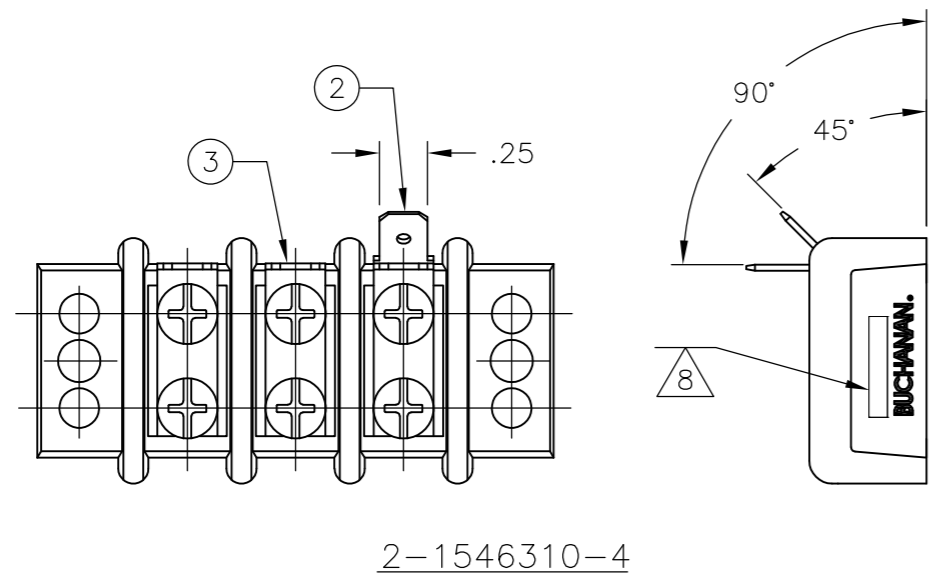
2-1546310-0



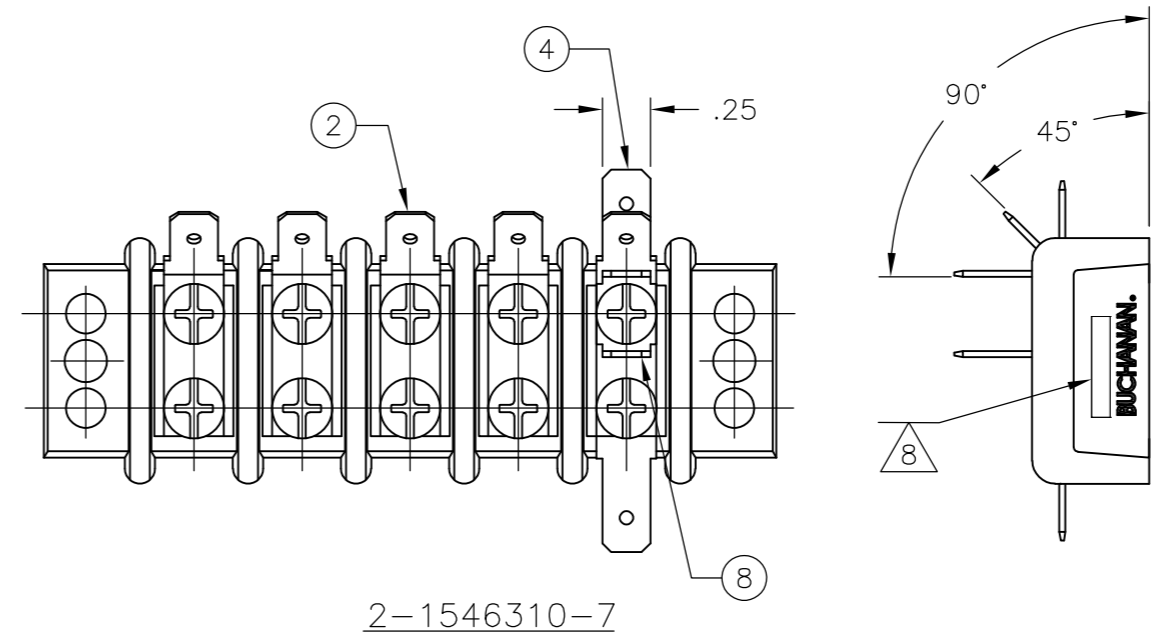
2-1546310-6



1546636-1



2-1546310-4

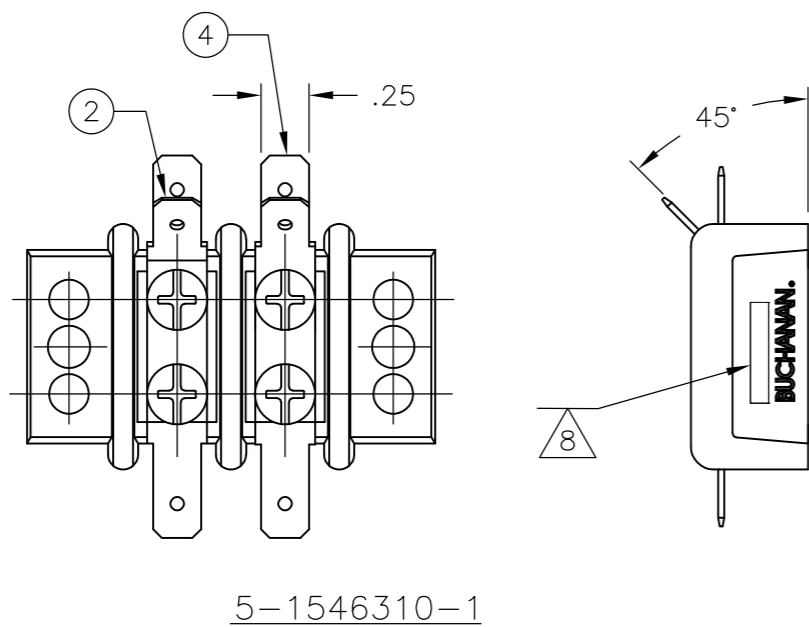
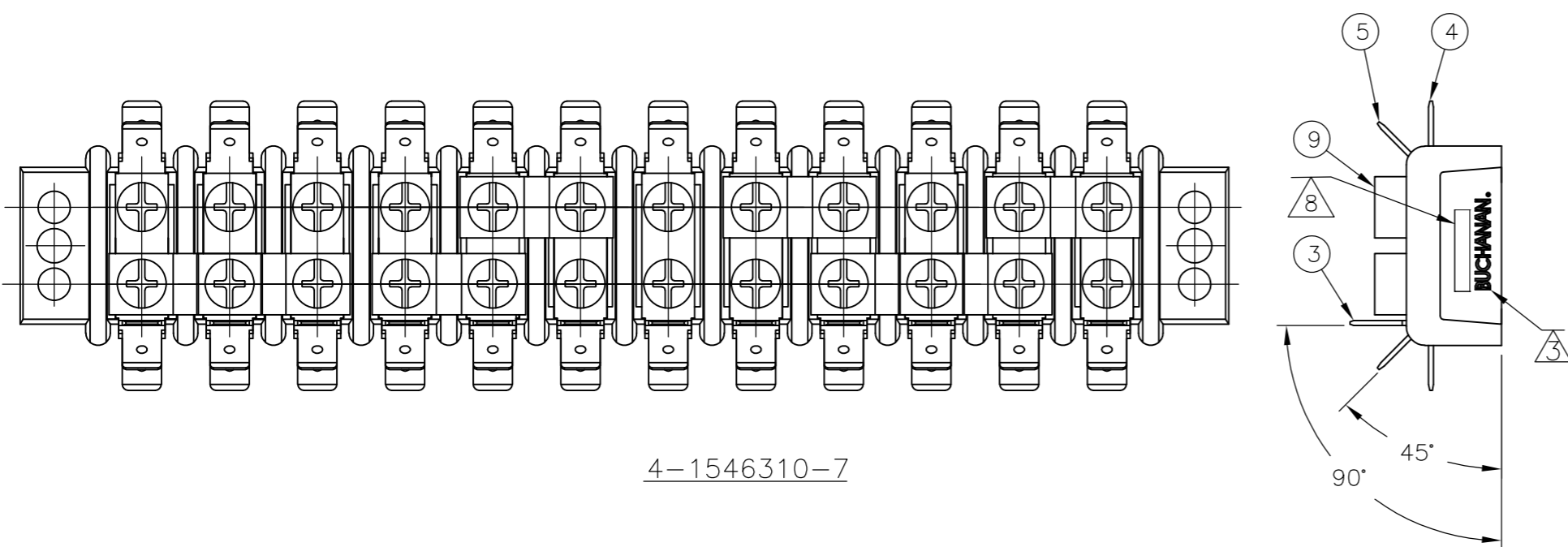


2-1546310-7

| | | | | | | | | | |
|--|--|------------------|-----------|--|-------|---|-----------|------------|---------------|
| THIS DRAWING IS A CONTROLLED DOCUMENT. | | DWN | 16FEB2007 | | | TE Connectivity | | | |
| DIMENSIONS: | | CHK | 2/16/07 | | | NAME | | | |
| INCHES | | APVD | 2/16/07 | | | 14.3 (.563) DBL ROW BARRIER STRIP W/O WASHER | | | |
| | | PRODUCT SPEC | | | | SIZE | CAGE CODE | DRAWING NO | RESTRICTED TO |
| TOLERANCES UNLESS OTHERWISE SPECIFIED: | | APPLICATION SPEC | | | A2 | 00779 | C=1546310 | | |
| 0 PLC ± - | | WEIGHT | | | SCALE | | | SHEET | REV |
| 1 PLC ± - | | CUSTOMER DRAWING | | | NTS | | 3 OF 4 | T4 | |
| 2 PLC ± - | | | | | | | | | |
| 3 PLC ± - | | | | | | | | | |
| 4 PLC ± - | | | | | | | | | |
| ANGLES ± - | | | | | | | | | |
| FINISH | | | | | | | | | |

THIS DRAWING IS UNPUBLISHED. RELEASED FOR PUBLICATION
 © COPYRIGHT - By - ALL RIGHTS RESERVED.

| LOC | DIST | REVISIONS | | | | | |
|-----|------|-----------|-----|-------------|------|-----|------|
| FT | 0 | P | LTR | DESCRIPTION | DATE | DWN | APVD |
| | | - | - | SEE SHEET 1 | - | - | - |



| | | | | | |
|--|--|----------------------|--------------------|--|---------------------------|
| THIS DRAWING IS A CONTROLLED DOCUMENT. | | DWN | 16FEB2007 | | TE TE Connectivity |
| DIMENSIONS: INCHES | | CHK | S SCHLEGEL 2/16/07 | | |
| | | S YODER | | | |
| | | APVD S YODER 2/16/07 | | | |
| TOLERANCES UNLESS OTHERWISE SPECIFIED: | | PRODUCT SPEC | | NAME | |
| 0 PLC ± - | | - | | 14.3 (.563) DBL ROW BARRIER STRIP W/O WASHER | |
| 1 PLC ± - | | - | | SIZE | |
| 2 PLC ± - | | - | | CAGE CODE | |
| 3 PLC ± - | | - | | DRAWING NO | |
| 4 PLC ± - | | - | | RESTRICTED TO | |
| ANGLES ± - | | - | | A2 00779 C-1546310 | |
| FINISH | | WEIGHT | | SCALE | |
| - | | - | | NTS | |
| - | | CUSTOMER DRAWING | | SHEET 4 of 4 | |
| | | | | REV T4 | |