



Chipsmall Limited consists of a professional team with an average of over 10 year of expertise in the distribution of electronic components. Based in Hongkong, we have already established firm and mutual-benefit business relationships with customers from,Europe,America and south Asia,supplying obsolete and hard-to-find components to meet their specific needs.

With the principle of “Quality Parts,Customers Priority,Honest Operation,and Considerate Service”,our business mainly focus on the distribution of electronic components. Line cards we deal with include Microchip,ALPS,ROHM,Xilinx,Pulse,ON,Everlight and Freescale. Main products comprise IC,Modules,Potentiometer,IC Socket,Relay,Connector.Our parts cover such applications as commercial,industrial, and automotives areas.

We are looking forward to setting up business relationship with you and hope to provide you with the best service and solution. Let us make a better world for our industry!



## Contact us

Tel: +86-755-8981 8866 Fax: +86-755-8427 6832

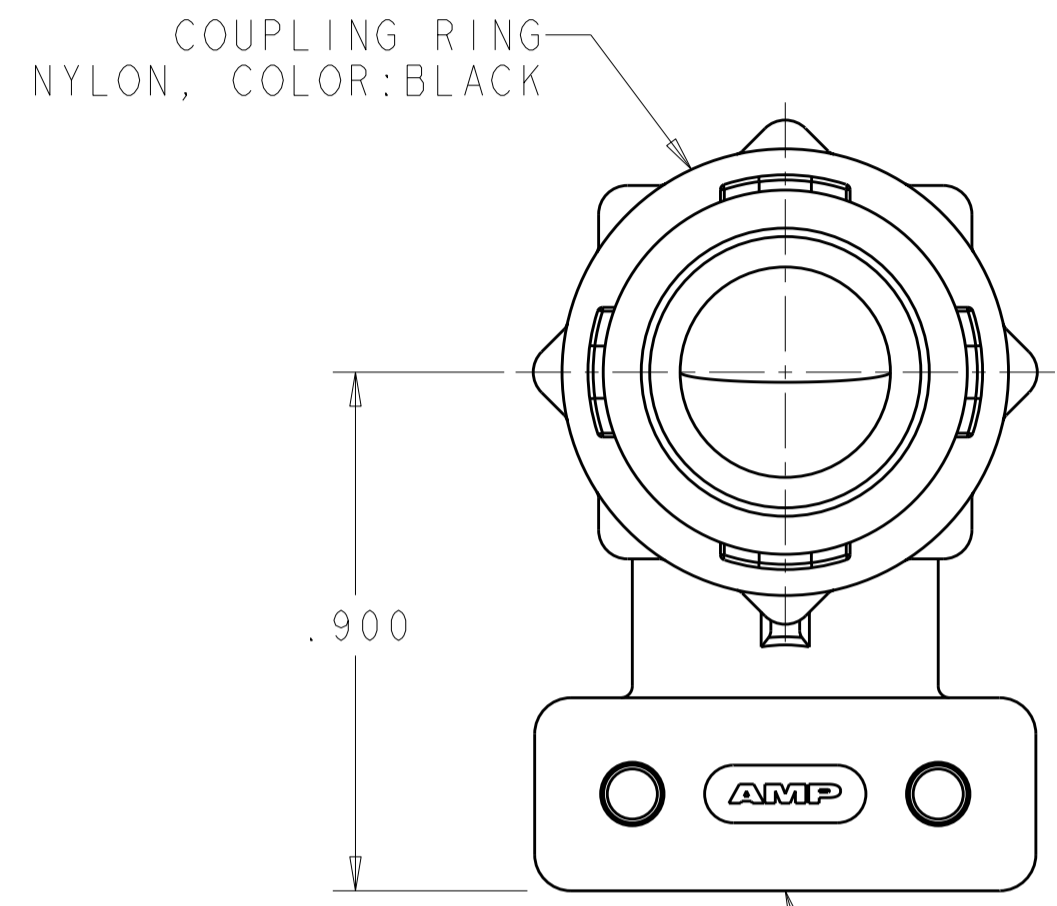
Email & Skype: info@chipsmall.com Web: www.chipsmall.com

Address: A1208, Overseas Decoration Building, #122 Zhenhua RD., Futian, Shenzhen, China



THIS DRAWING IS UNPUBLISHED. RELEASED FOR PUBLICATION  
 © COPYRIGHT 20 BY TYCO ELECTRONICS CORPORATION. ALL RIGHTS RESERVED.

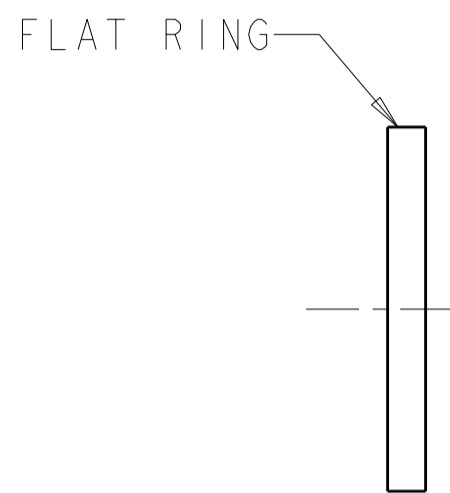
LOC	DIST	REVISIONS			
P	LTR	DESCRIPTION	DATE	DWN	APVD
FT	0				
	B	REVISED PER ECO-10-012730	20SEP10	HMR	MG



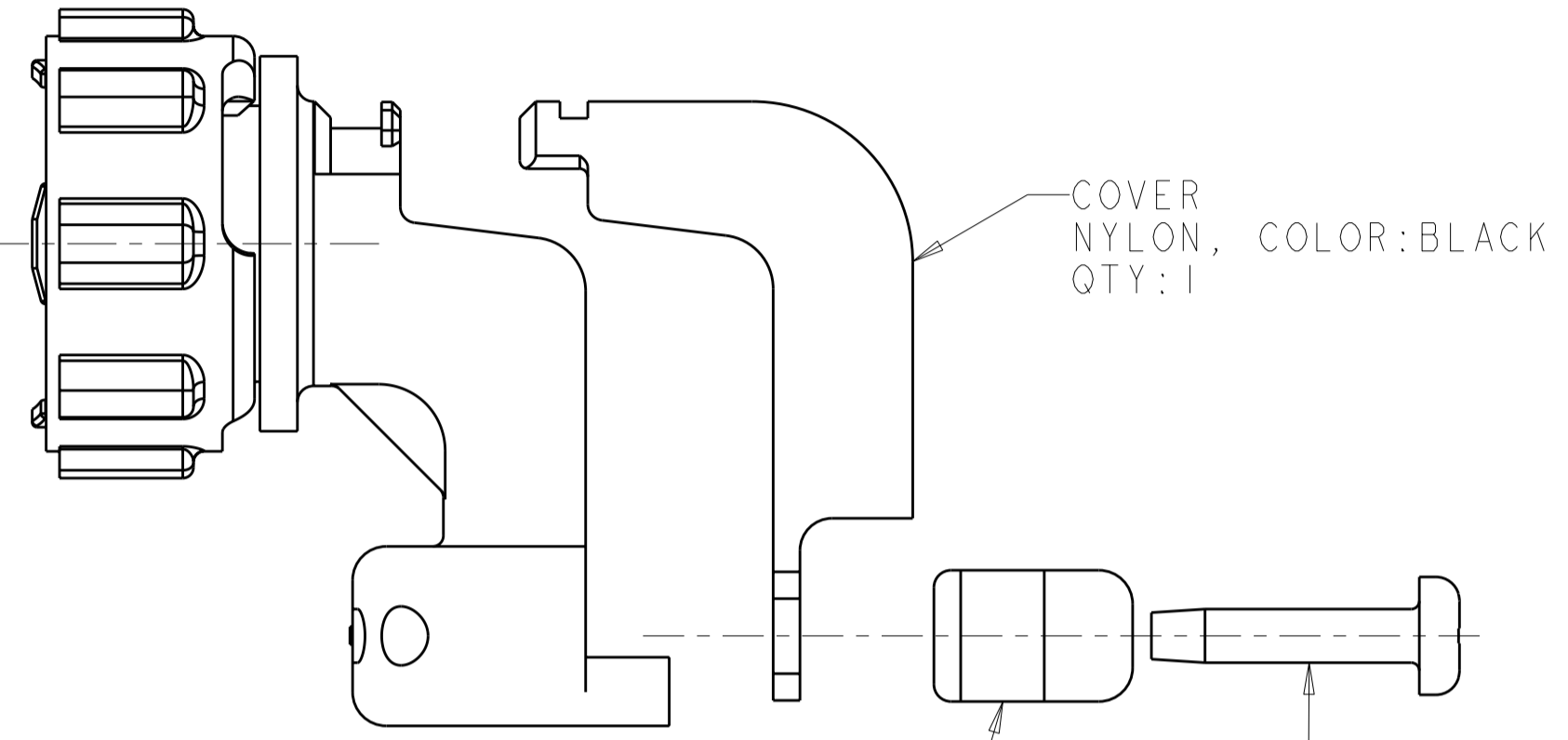
COUPLING RING  
 NYLON, COLOR:BLACK

.900

CABLE CLAMP BODY  
 NYLON, COLOR:BLACK



FLAT RING

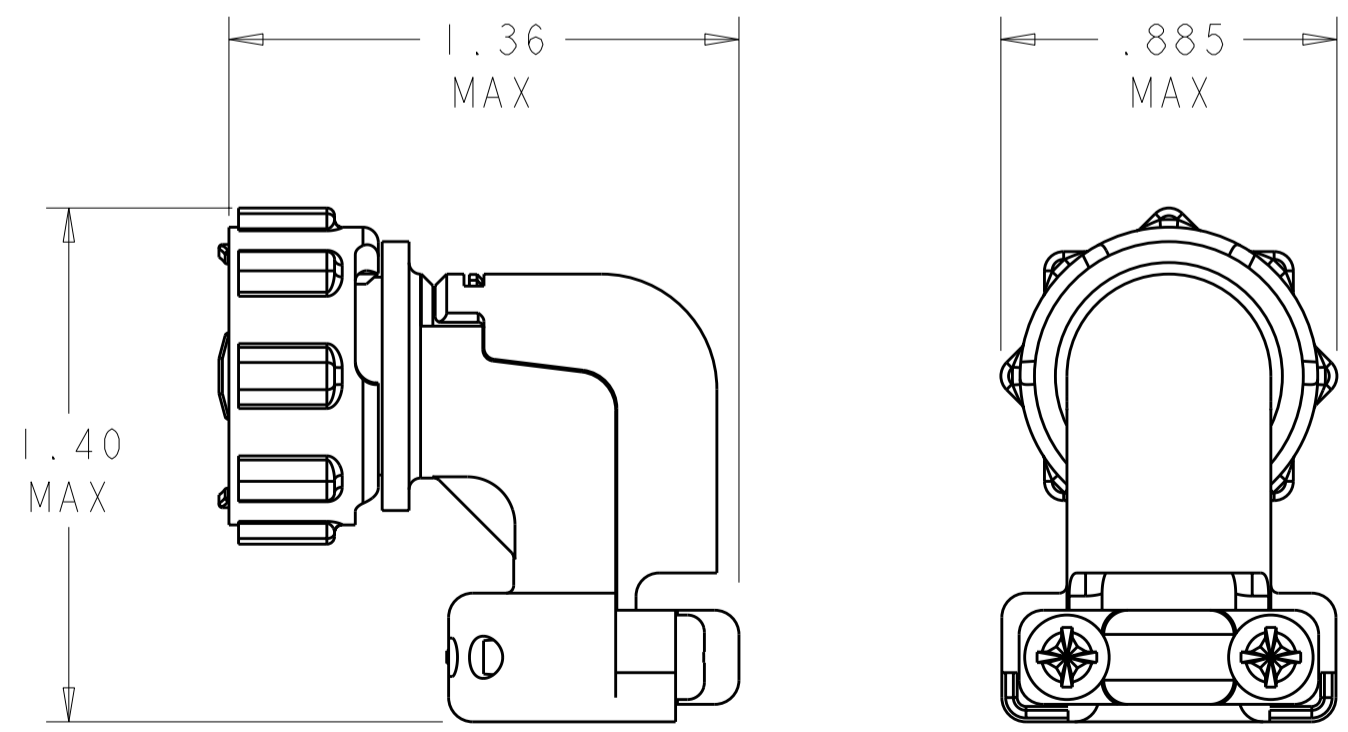


COVER  
 NYLON, COLOR:BLACK  
 QTY:1

CABLE CLAMP INSERT  
 NYLON, COLOR:BLACK  
 QTY:1

5-20 SELF TAPPING SCREW  
 MATERIAL: STEEL  
 FINISH: <sup>3</sup>  
 QTY:2

- <sup>1</sup> SELF TAPPING SCREWS AND CABLE CLAMP INSERTS PACKAGED UNASSEMBLED.
- <sup>2</sup> CLAMPING AREA ADJUSTABLE TO .329 O.D. MAX CABLE. CABLE CLAMP INSERTS CAN BE ADJUSTED BY INVERTING OR CHANGING CABLE CLAMP INSERT.
- <sup>3</sup> SCREW FINISH ZINC WITH NON HEXAVALENT CHROMATE.



ASSEMBLED VIEW  
 SCALE 2:1

1546347-2	1546347-1
SUPERSEDED BY -2	
PART NUMBER	

THIS DRAWING IS A CONTROLLED DOCUMENT FOR TYCO ELECTRONICS CORPORATION. IT IS SUBJECT TO CHANGE AND THE CONTROLLING ENGINEERING ORGANIZATION SHOULD BE CONTACTED FOR THE LATEST REVISION.		DWN S. WELDON 12AUG2002	AMP Incorporated Harrisburg, PA 17105-3608	
DIMENSIONS: INCHES		CHK S. HEADER 12AUG2002	NAME CABLE CLAMP KIT, UNASSEMBLED, R/A, W/COVER, SIZE 11, CPC	
TOLERANCES UNLESS OTHERWISE SPECIFIED: 0 PLC ± 1 PLC ± 2 PLC ± 3 PLC ±0.005 4 PLC ± ANGLES ± FINISH ±		APVD S. HEADER 12AUG2002	RESTRICTED TO	
MATERIAL		PRODUCT SPEC	SIZE A200779	CAGE CODE C-1546347
		APPLICATION SPEC	DRAWING NO 1546347	SCALE 3:1
		WEIGHT	SHEET 1	OF 1
		CUSTOMER DRAWING	REV B	