



Chipsmall Limited consists of a professional team with an average of over 10 year of expertise in the distribution of electronic components. Based in Hongkong, we have already established firm and mutual-benefit business relationships with customers from,Europe,America and south Asia,supplying obsolete and hard-to-find components to meet their specific needs.

With the principle of "Quality Parts,Customers Priority,Honest Operation,and Considerate Service",our business mainly focus on the distribution of electronic components. Line cards we deal with include Microchip,ALPS,ROHM,Xilinx,Pulse,ON,Everlight and Freescale. Main products comprise IC,Modules,Potentiometer,IC Socket,Relay,Connector.Our parts cover such applications as commercial,industrial, and automotives areas.

We are looking forward to setting up business relationship with you and hope to provide you with the best service and solution. Let us make a better world for our industry!



Contact us

Tel: +86-755-8981 8866 Fax: +86-755-8427 6832

Email & Skype: info@chipsmall.com Web: www.chipsmall.com

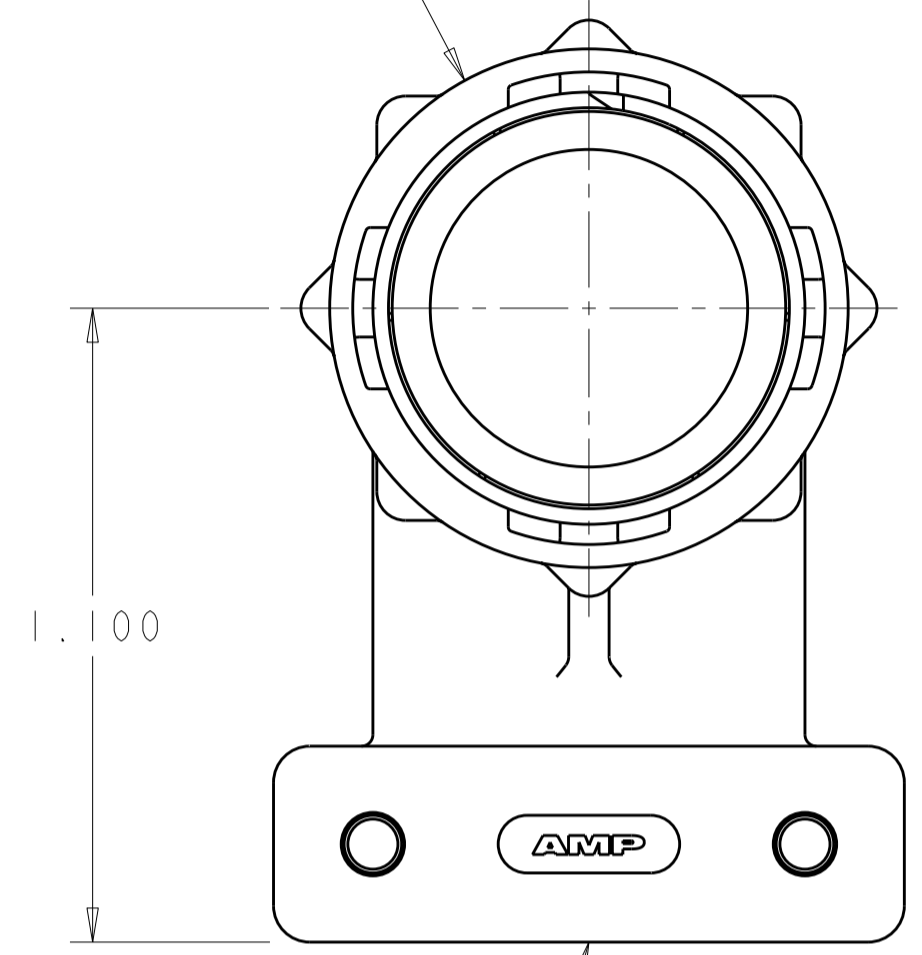
Address: A1208, Overseas Decoration Building, #122 Zhenhua RD., Futian, Shenzhen, China



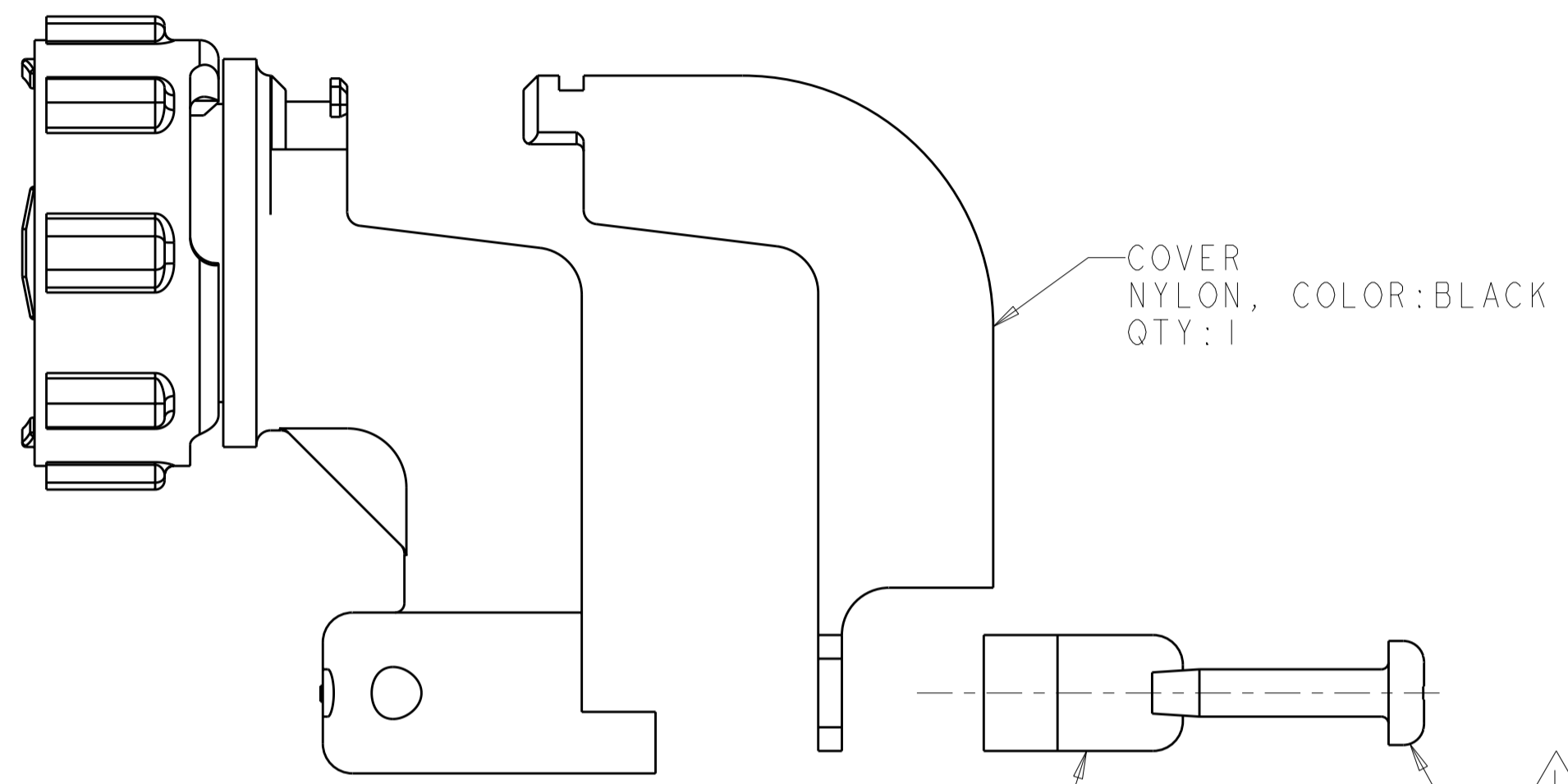
THIS DRAWING IS UNPUBLISHED. RELEASED FOR PUBLICATION
 © COPYRIGHT 20 BY TYCO ELECTRONICS CORPORATION. ALL RIGHTS RESERVED.

LOC		DIST		REVISIONS			
P	LTR	DESCRIPTION	DATE	DWN	APVD		
	B	REVISED PER ECO-10-012730	20SEP10	HMR	MG		

COUPLING RING
 NYLON, COLOR:BLACK



CABLE CLAMP BODY
 NYLON, COLOR:BLACK

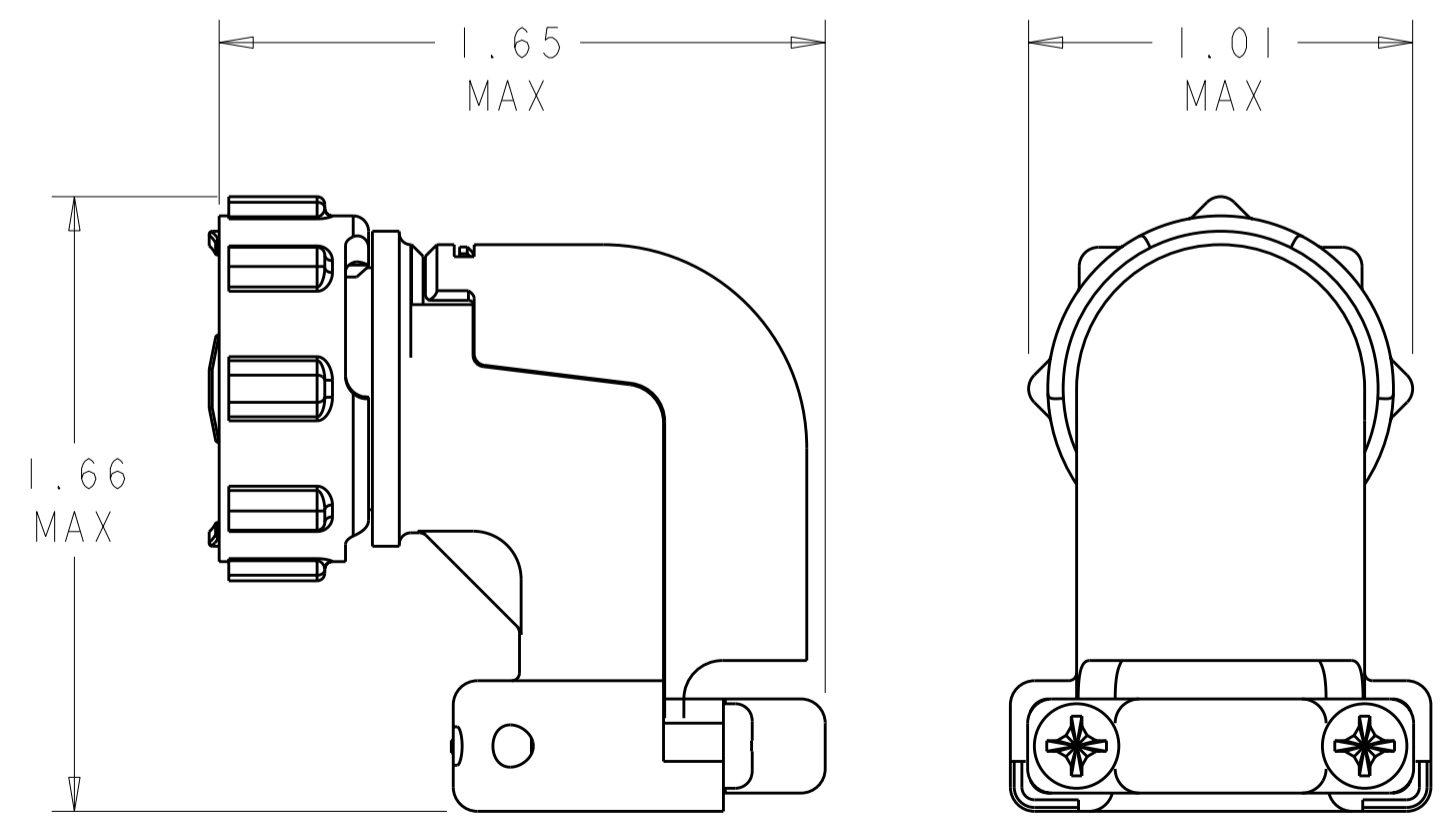


COVER
 NYLON, COLOR:BLACK
 QTY:1

CABLE CLAMP INSERT
 NYLON, COLOR:BLACK
 QTY:2

① 5-20 SELF TAPPING SCREW
 MATERIAL: STEEL
 FINISH: ③
 QTY:2

- ① SELF TAPPING SCREWS AND CABLE CLAMP INSERTS PACKAGED UNASSEMBLED.
- ② CLAMPING AREA ADJUSTABLE TO .453 O.D. MAX CABLE. CABLE CLAMP INSERTS CAN BE ADJUSTED BY INVERTING OR CHANGING CABLE CLAMP INSERT.
- ③ SCREW FINISH ZINC WITH NON HEXAVALENT CHROMATE.



ASSEMBLED VIEW
 SCALE 2:1

	1546348-2
SUPERSEDED BY -2	1546348-1
	PART NUMBER

THIS DRAWING IS A CONTROLLED DOCUMENT FOR TYCO ELECTRONICS CORPORATION IT IS SUBJECT TO CHANGE AND THE CONTROLLING ENGINEERING ORGANIZATION SHOULD BE CONTACTED FOR THE LATEST REVISION.		DWN S. WELDON 11FEB2000	AMP Incorporated Harrisburg, PA 17105-3608	
DIMENSIONS: INCHES		CHK M. CHACKO 11FEB2000	NAME CABLE CLAMP KIT, UNASSEMBLED, R/A, W/COVER, SIZE 13, CPC	
TOLERANCES UNLESS OTHERWISE SPECIFIED: 0 PLC ± 1 PLC ± 2 PLC ± 3 PLC ±0.005 4 PLC ± ANGLES ± FINISH		APVD M. CHACKO 11FEB2000	RESTRICTED TO	
MATERIAL		PRODUCT SPEC	SIZE A200779	CAGE CODE C-1546348
		APPLICATION SPEC	DRAWING NO 1546348	SHEET OF REV B
		WEIGHT	SCALE 3:1	
		CUSTOMER DRAWING		