



Chipsmall Limited consists of a professional team with an average of over 10 year of expertise in the distribution of electronic components. Based in Hongkong, we have already established firm and mutual-benefit business relationships with customers from,Europe,America and south Asia,supplying obsolete and hard-to-find components to meet their specific needs.

With the principle of “Quality Parts,Customers Priority,Honest Operation,and Considerate Service”,our business mainly focus on the distribution of electronic components. Line cards we deal with include Microchip,ALPS,ROHM,Xilinx,Pulse,ON,Everlight and Freescale. Main products comprise IC,Modules,Potentiometer,IC Socket,Relay,Connector.Our parts cover such applications as commercial,industrial, and automotives areas.

We are looking forward to setting up business relationship with you and hope to provide you with the best service and solution. Let us make a better world for our industry!



Contact us

Tel: +86-755-8981 8866 Fax: +86-755-8427 6832

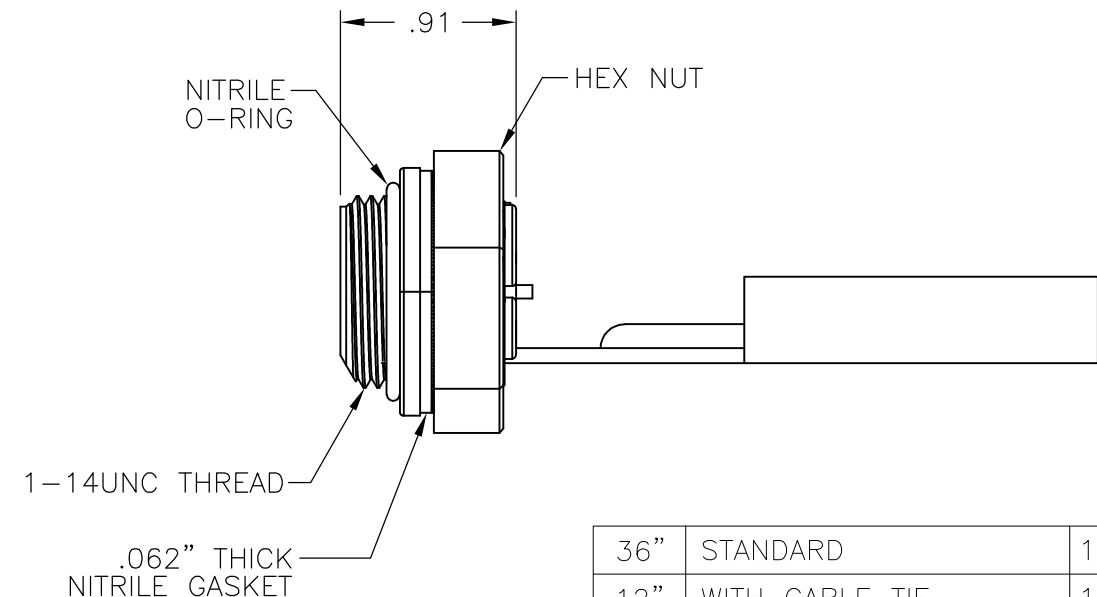
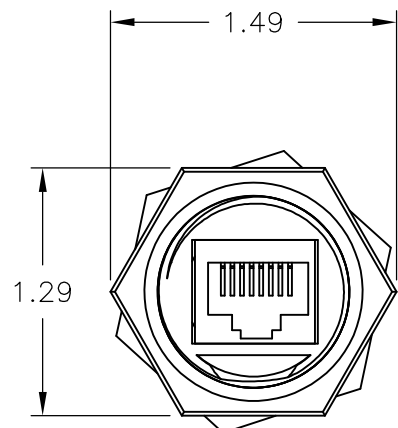
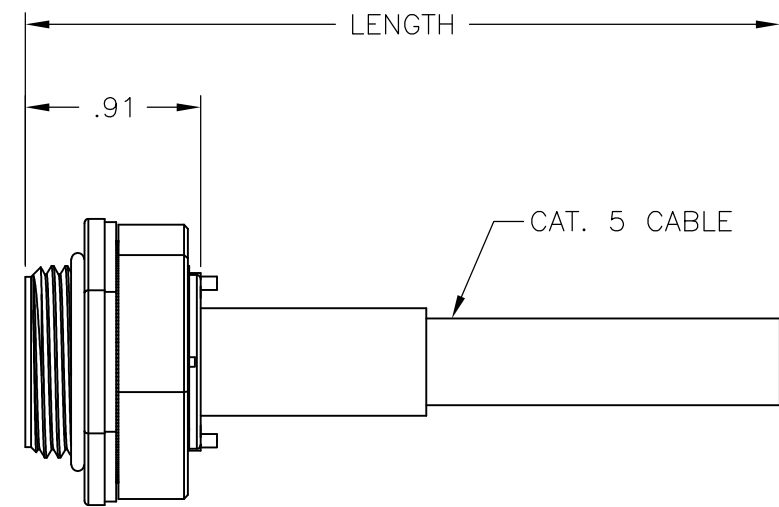
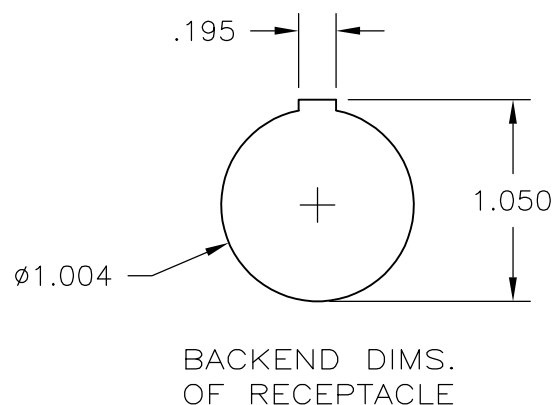
Email & Skype: info@chipsmall.com Web: www.chipsmall.com

Address: A1208, Overseas Decoration Building, #122 Zhenhua RD., Futian, Shenzhen, China

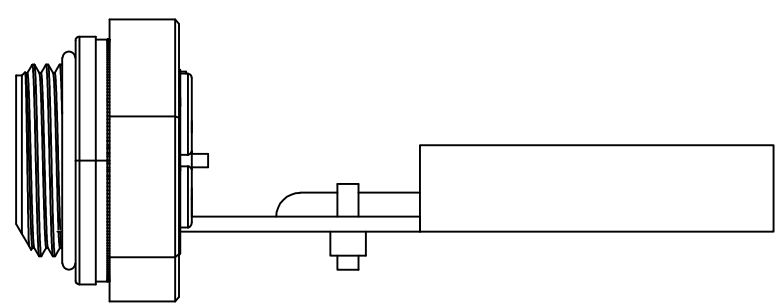
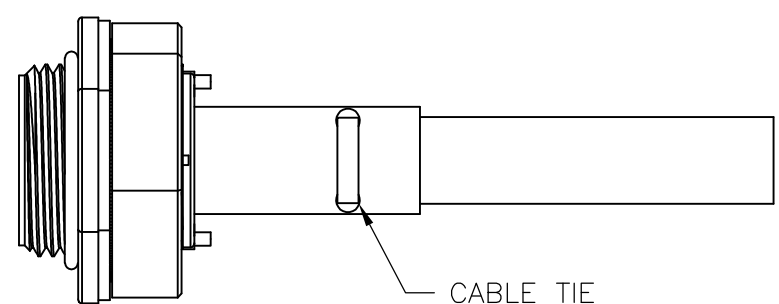


THIS DRAWING IS UNPUBLISHED. RELEASED FOR PUBLICATION
 © COPYRIGHT BY TYCO ELECTRONICS CORPORATION. ALL RIGHTS RESERVED.

LOC	DIST	REVISIONS					
FT	0	P	LTR	DESCRIPTION	DATE	DWN	APVD
			C1	REVISED PER ECR-10-016010	09AUG10	JR	SM



	36"	STANDARD	1-1546410-3
	12"	WITH CABLE TIE	1-1546410-2
	12"	STANDARD	1-1546410-1
SUPERSEDED	12"	WITH CABLE TIE	1546410-2
SUPERSEDED	12"	STANDARD	1546410-1
	"L"	DESCRIPTION	PART NO.



-2 ONLY

THIS DRAWING IS A CONTROLLED DOCUMENT.		DWN	S SCHLEGEL	09OCT2002	Tyco Electronics Corporation Harrisburg, PA 17105		
DIMENSIONS: INCHES		CHK	H WAKEEM	10/9/02	NAME		
TOLERANCES UNLESS OTHERWISE SPECIFIED: 0 PLC ± - 1 PLC ± - 2 PLC ± .02 3 PLC ± .005 4 PLC ± - ANGLES ± 2'		APVD	H WAKEEM	10/9/02	RECEPTACLE WITH PCB & 12 IN. OF CABLE (10 BASE-T)		
MATERIAL		PRODUCT SPEC	-				
FINISH		APPLICATION SPEC	-				
-		WEIGHT	-				
		SIZE	CAGE CODE	DRAWING NO	RESTRICTED TO		
		A3	00779	C-1546410	-		
		CUSTOMER DRAWING	SCALE	NTS	SHEET	1 OF 1	REV C1