



Chipsmall Limited consists of a professional team with an average of over 10 year of expertise in the distribution of electronic components. Based in Hongkong, we have already established firm and mutual-benefit business relationships with customers from,Europe,America and south Asia,supplying obsolete and hard-to-find components to meet their specific needs.

With the principle of “Quality Parts,Customers Priority,Honest Operation,and Considerate Service”,our business mainly focus on the distribution of electronic components. Line cards we deal with include Microchip,ALPS,ROHM,Xilinx,Pulse,ON,Everlight and Freescale. Main products comprise IC,Modules,Potentiometer,IC Socket,Relay,Connector.Our parts cover such applications as commercial,industrial, and automotives areas.

We are looking forward to setting up business relationship with you and hope to provide you with the best service and solution. Let us make a better world for our industry!



Contact us

Tel: +86-755-8981 8866 Fax: +86-755-8427 6832

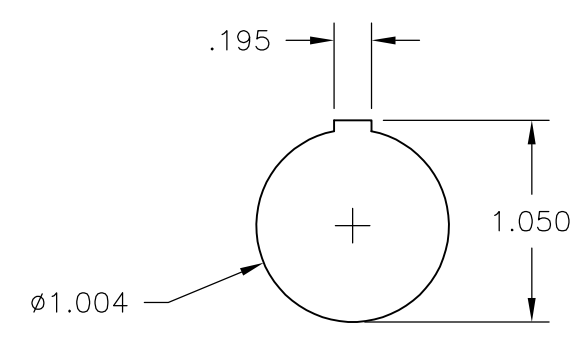
Email & Skype: info@chipsmall.com Web: www.chipsmall.com

Address: A1208, Overseas Decoration Building, #122 Zhenhua RD., Futian, Shenzhen, China

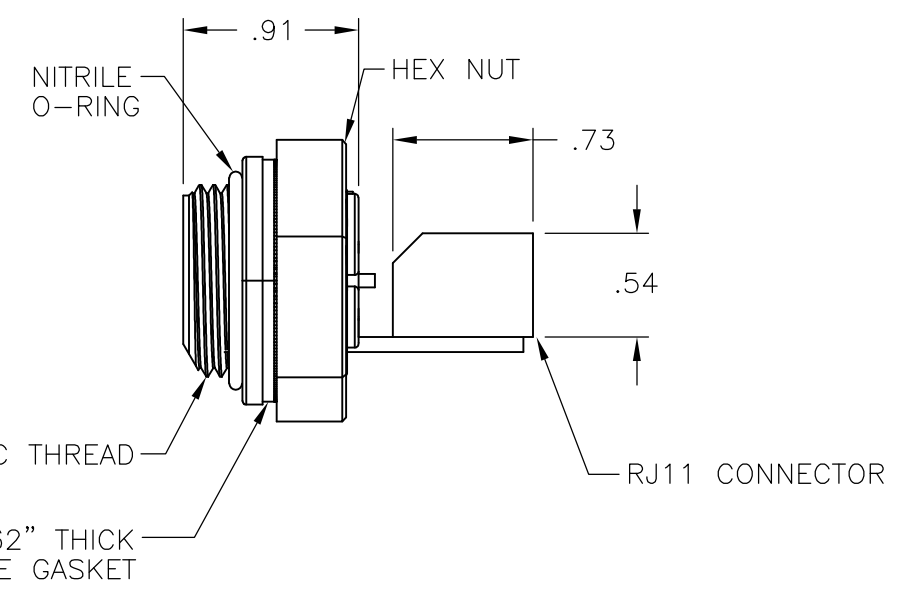
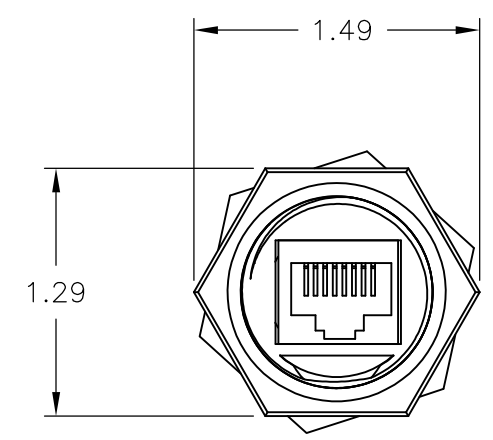
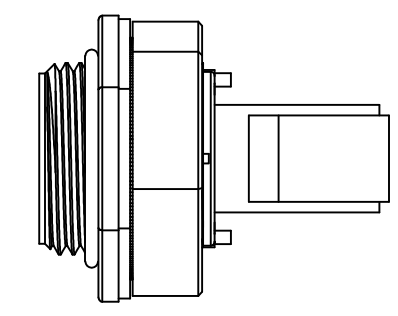


THIS DRAWING IS UNPUBLISHED. RELEASED FOR PUBLICATION
 © COPYRIGHT - By - ALL RIGHTS RESERVED.

LOC	DIST	REVISIONS					
FT	0	P	LTR	DESCRIPTION	DATE	DWN	APVD
			C1	REVISED PER ECO-11-004820	11MAR11	RK	HMR



BACKEND DIMS.
OF RECEPTACLE



	1-1546415-1
SUPERSEDED	1546415-1
	PART NO.

THIS DRAWING IS A CONTROLLED DOCUMENT.		DWN	S	SCHLEGEL	09OCT2002	TE Connectivity		NAME RJ-11 BULKHEAD PASS THROUGH WITH BACKSIDE JACK	
DIMENSIONS: INCHES		CHK	H	WAKEEM	10/9/02				
		APVD	H	WAKEEM	10/9/02				
TOLERANCES UNLESS OTHERWISE SPECIFIED: 0 PLC ± - 1 PLC ± - 2 PLC ± .02 3 PLC ± .005 4 PLC ± - ANGLES ± 2°		PRODUCT SPEC	-						
MATERIAL		-		APPLICATION SPEC	-			SIZE	A3
FINISH		-		WEIGHT	-			CAGE CODE	00779
				CUSTOMER DRAWING		SCALE	NTS	SHEET	1 OF 1
						DRAWING NO		C-1546415	RESTRICTED TO
								REV	C1