



Chipsmall Limited consists of a professional team with an average of over 10 year of expertise in the distribution of electronic components. Based in Hongkong, we have already established firm and mutual-benefit business relationships with customers from,Europe,America and south Asia,supplying obsolete and hard-to-find components to meet their specific needs.

With the principle of "Quality Parts,Customers Priority,Honest Operation,and Considerate Service",our business mainly focus on the distribution of electronic components. Line cards we deal with include Microchip,ALPS,ROHM,Xilinx,Pulse,ON,Everlight and Freescale. Main products comprise IC,Modules,Potentiometer,IC Socket,Relay,Connector.Our parts cover such applications as commercial,industrial, and automotives areas.

We are looking forward to setting up business relationship with you and hope to provide you with the best service and solution. Let us make a better world for our industry!



Contact us

Tel: +86-755-8981 8866 Fax: +86-755-8427 6832

Email & Skype: info@chipsmall.com Web: www.chipsmall.com

Address: A1208, Overseas Decoration Building, #122 Zhenhua RD., Futian, Shenzhen, China



THIS DRAWING IS UNPUBLISHED. RELEASED FOR PUBLICATION
 © COPYRIGHT BY TYCO ELECTRONICS CORPORATION. ALL RIGHTS RESERVED.

LOC	DIST	REVISIONS					
FT	0	P	LTR	DESCRIPTION	DATE	DWN	APVD
			G1	REVISED PER ECR 10-016010	09AUG10	JR	SM

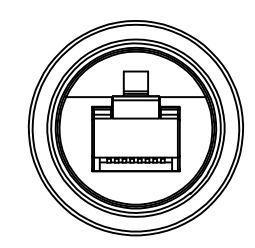
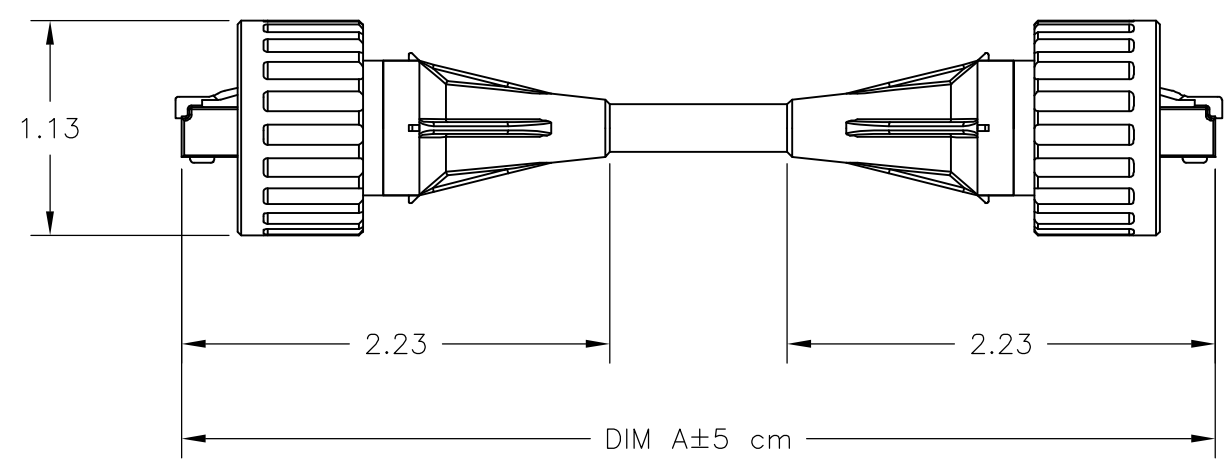
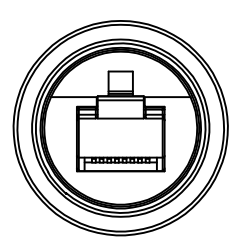


FIGURE 1

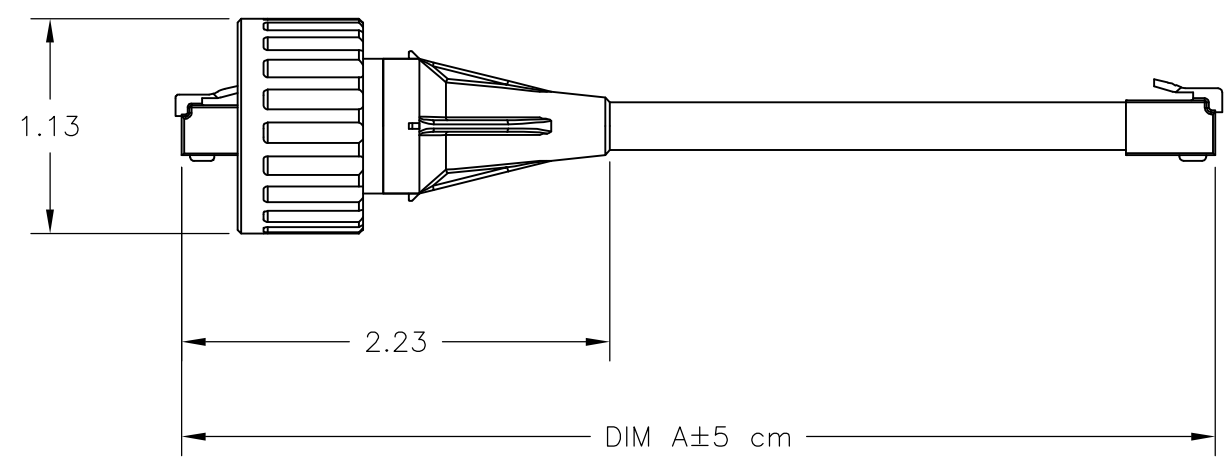
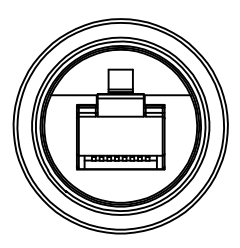


FIGURE 2

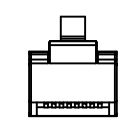


	FIG 1	22.86 M +14/-0 CM	1-1546451-5
	FIG 2	2 METERS+8.89/-0 CM	1-1546451-4
	FIG 1	10 METERS+31.75/-0 CM	1-1546451-3
	FIG 1	5 METERS+16.51/-0 CM	1-1546451-2
	FIG 1	1 METER+5.56/-0 CM	1-1546451-1
SUPERSEDED	FIG 2	2 METERS	1546451-4
SUPERSEDED	FIG 1	10 METERS	1546451-3
SUPERSEDED	FIG 1	5 METERS	1546451-2
SUPERSEDED	FIG 1	1 METER	1546451-1
	FIGURE	DIM A	PART NO.

THIS DRAWING IS A CONTROLLED DOCUMENT.		DWN	S SCHLEGEL	12NOV02	Tyco Electronics Corporation Harrisburg, PA 17105			
DIMENSIONS: INCHES		CHK	H WAKEEM	11/12/02				NAME INDUSTRIAL ETHERNET CORDSET, SOLID CORE, DOUBLE ENDED INDUSTRIAL
TOLERANCES UNLESS OTHERWISE SPECIFIED: 0 PLC ± - 1 PLC ± - 2 PLC ± .02 3 PLC ± .005 4 PLC ± - ANGLES ± 2'		APVD	H WAKEEM	11/12/02	SIZE A3			
MATERIAL		PRODUCT SPEC		CAGE CODE				DRAWING NO
-		-		00779			G-1546451	
FINISH		APPLICATION SPEC		SCALE				SHEET
-		-		NTS			1	
CUSTOMER DRAWING				WEIGHT		REV		G1
-				-		-		