



Chipsmall Limited consists of a professional team with an average of over 10 year of expertise in the distribution of electronic components. Based in Hongkong, we have already established firm and mutual-benefit business relationships with customers from,Europe,America and south Asia,supplying obsolete and hard-to-find components to meet their specific needs.

With the principle of "Quality Parts,Customers Priority,Honest Operation,and Considerate Service",our business mainly focus on the distribution of electronic components. Line cards we deal with include Microchip,ALPS,ROHM,Xilinx,Pulse,ON,Everlight and Freescale. Main products comprise IC,Modules,Potentiometer,IC Socket,Relay,Connector.Our parts cover such applications as commercial,industrial, and automotives areas.

We are looking forward to setting up business relationship with you and hope to provide you with the best service and solution. Let us make a better world for our industry!



Contact us

Tel: +86-755-8981 8866 Fax: +86-755-8427 6832

Email & Skype: info@chipsmall.com Web: www.chipsmall.com

Address: A1208, Overseas Decoration Building, #122 Zhenhua RD., Futian, Shenzhen, China



THIS DRAWING IS UNPUBLISHED.

RELEASED FOR PUBLICATION

-. - .

LOC

DIST

REVISIONS

© COPYRIGHT - By -

ALL RIGHTS RESERVED.

FT

0

P

LTR

DESCRIPTION

DATE

DWN

APVD

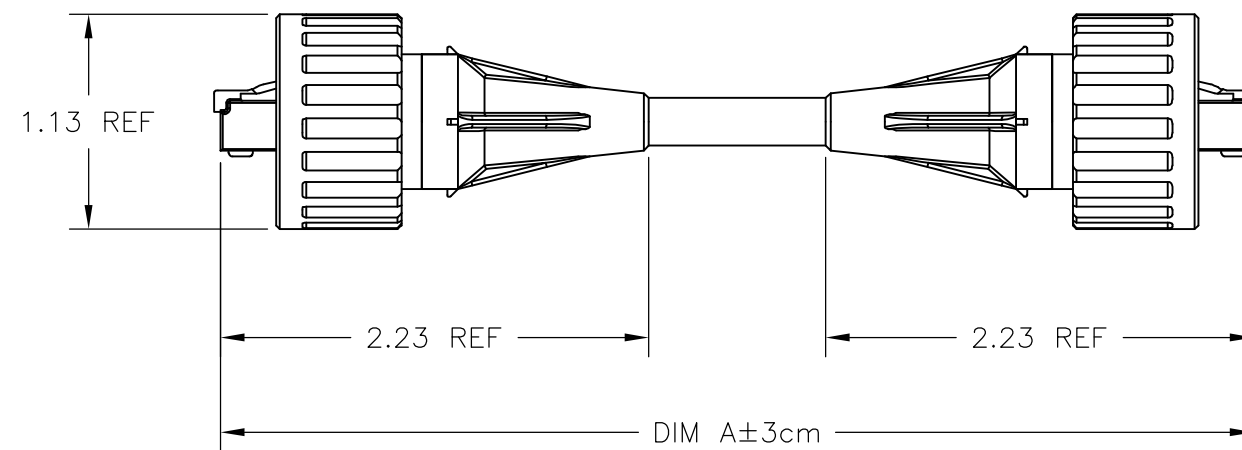
G3

REVISED PER ECO-12-021870

14DEC12

KH

MB



10 METERS	+39.69cm -0	1-1546452-6
31 METERS	+62.23cm -0	1-1546452-5
16 METERS	+62.23cm -0	1-1546452-4
8 METERS	+31.75cm -0	1-1546452-3
5 METERS	+16.51cm -0	1-1546452-2
2 METERS	+8.89cm -0	1-1546452-1

SUPERSEDED	31 METERS	1546452-5
SUPERSEDED	16 METERS	1546452-4
SUPERSEDED	8 METERS	1546452-3
SUPERSEDED	5 METERS	1546452-2
SUPERSEDED	2 METERS	1546452-1

DIM A	PART NO.
-------	----------

THIS DRAWING IS A CONTROLLED DOCUMENT.		DWN	S SCHLEGEL	12NOV02	STE TE Connectivity								
DIMENSIONS: INCHES		CHK	H WAKEEM	11/12/02									
		TOLERANCES UNLESS OTHERWISE SPECIFIED:		APVD	H WAKEEM	11/12/02	NAME	INDUSTRIAL ETHERNET CORDSET, PROPLEX CABLE, DOUBLE ENDED INDUSTRIAL					
		0 PLC ± -	1 PLC ± -	2 PLC ± .02	3 PLC ± .005	4 PLC ± -	ANGLES ± 2'	PRODUCT SPEC	-				
MATERIAL		FINISH		WEIGHT		-		SIZE	CAGE CODE	DRAWING NO	RESTRICTED TO		
-		-		-		-		A3	00779	C-1546452	-		
CUSTOMER DRAWING								SCALE	NTS	SHEET	1 OF 1	REV	G3