



Chipsmall Limited consists of a professional team with an average of over 10 year of expertise in the distribution of electronic components. Based in Hongkong, we have already established firm and mutual-benefit business relationships with customers from,Europe,America and south Asia,supplying obsolete and hard-to-find components to meet their specific needs.

With the principle of “Quality Parts,Customers Priority,Honest Operation,and Considerate Service”,our business mainly focus on the distribution of electronic components. Line cards we deal with include Microchip,ALPS,ROHM,Xilinx,Pulse,ON,Everlight and Freescale. Main products comprise IC,Modules,Potentiometer,IC Socket,Relay,Connector.Our parts cover such applications as commercial,industrial, and automotives areas.

We are looking forward to setting up business relationship with you and hope to provide you with the best service and solution. Let us make a better world for our industry!



Contact us

Tel: +86-755-8981 8866 Fax: +86-755-8427 6832

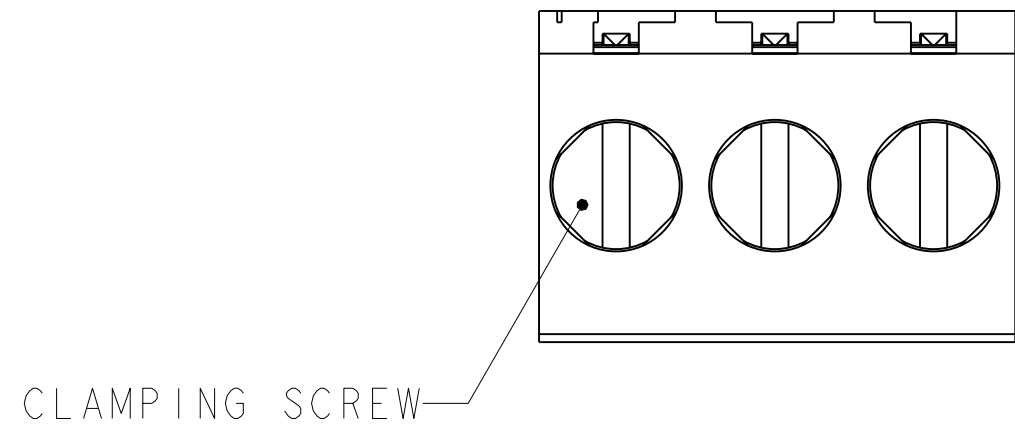
Email & Skype: info@chipsmall.com Web: www.chipsmall.com

Address: A1208, Overseas Decoration Building, #122 Zhenhua RD., Futian, Shenzhen, China

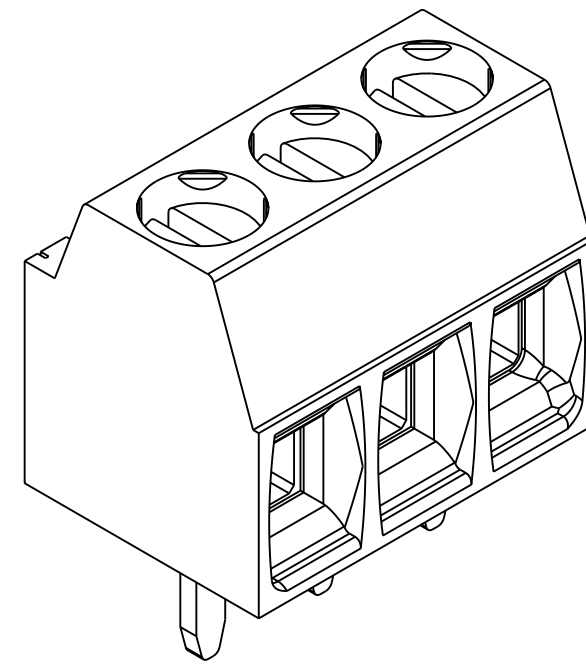


THIS DRAWING IS UNPUBLISHED. RELEASED FOR PUBLICATION 20
 © COPYRIGHT 20 BY TYCO ELECTRONICS CORPORATION. ALL RIGHTS RESERVED.

LOC		DIST		REVISIONS			
P	LTR	DESCRIPTION	DATE	DWN	APVD		
	O	RELEASED	30APR2003	SW	CR		
	A	REVISED EC 0G3B-0102-04	25FEB2004	SW	CR		
	AI	REVISED ECO-05-014184	13JAN2006	SW	CR		

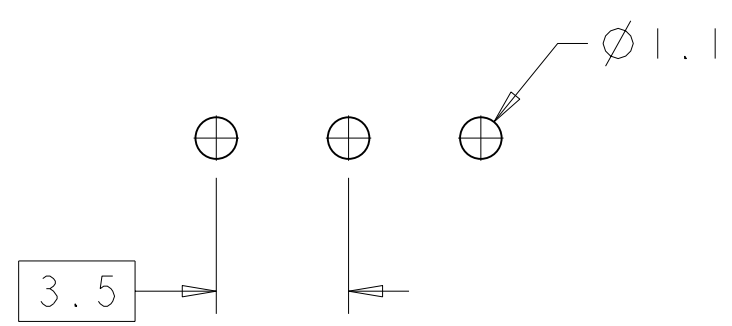
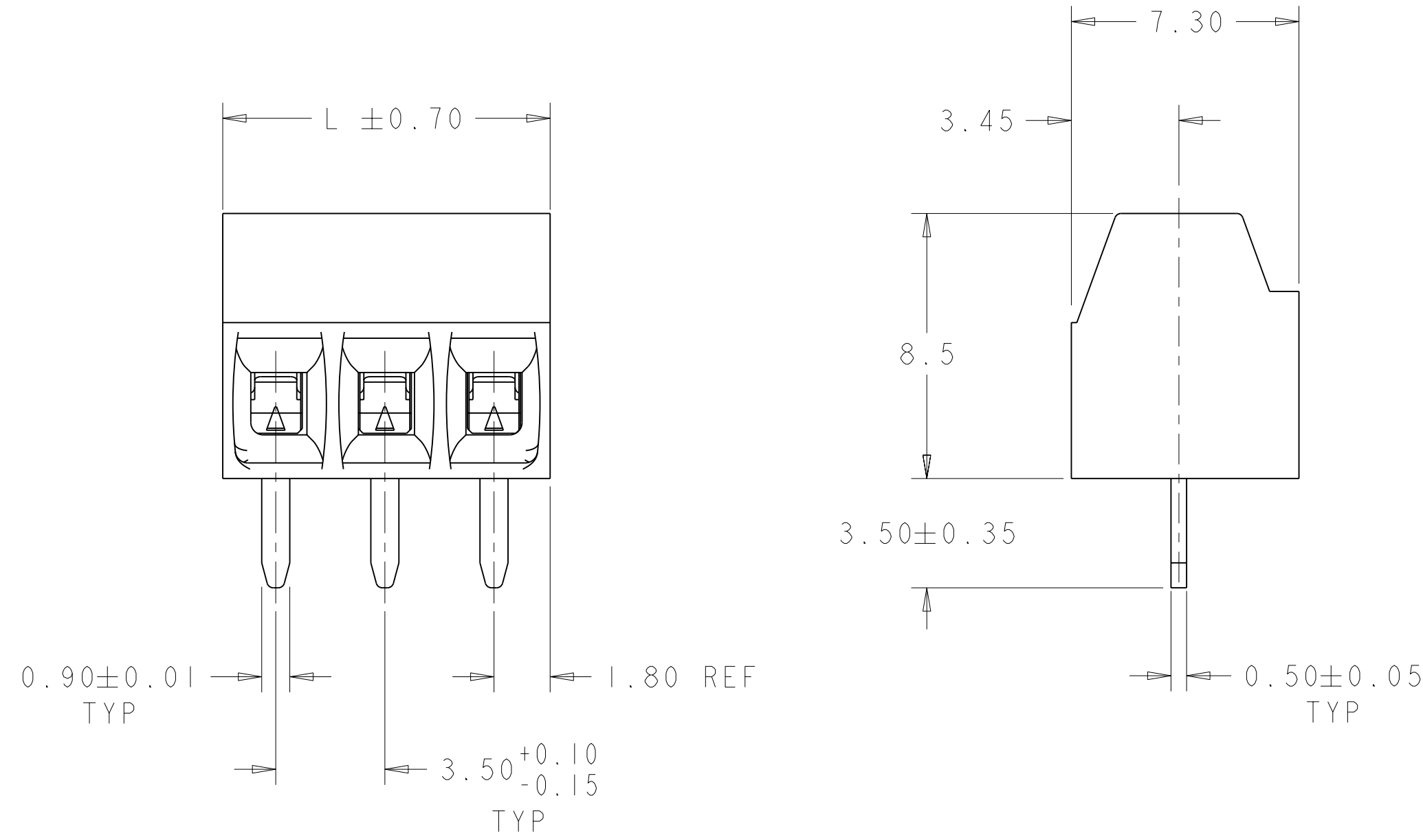


CLAMPING SCREW



1546551-3 AS SHOWN

- ⚠ MATERIALS AND FINISH:
 HOUSING: PA 6-6, UL 94 VO-RATED, COLOR: GREEN.
 TERMINAL: COPPER ALLOY, TIN PLATED.
 CLAMP: COPPER ALLOY, NICKEL PLATED.
 CLAMPING SCREW: COPPER ALLOY, NICKEL PLATED.
- WIRE SIZE RANGE: 16-28 AWG.
 - CURRENT RATING: 12A, 300V
 OPERATING TEMPERATURE: -40°C TO +110°C
 - SUITABLE FOR 2.4mm MAX PC BOARD THICKNESS.



RECOMMENDED PC BOARD LAYOUT

87.50	25	2-1546551-5
84.00	24	2-1546551-4
80.50	23	2-1546551-3
77.00	22	2-1546551-2
73.50	21	2-1546551-1
70.00	20	2-1546551-0
66.50	19	1-1546551-9
63.00	18	1-1546551-8
59.50	17	1-1546551-7
56.00	16	1-1546551-6
52.50	15	1-1546551-5
49.00	14	1-1546551-4
45.50	13	1-1546551-3
42.00	12	1-1546551-2
38.50	11	1-1546551-1
35.00	10	1-1546551-0
31.50	9	1546551-9
28.00	8	1546551-8
24.50	7	1546551-7
21.00	6	1546551-6
17.50	5	1546551-5
14.00	4	1546551-4
10.50	3	1546551-3
7.00	2	1546551-2
L	NO OF POSN	PART NUMBER

THIS DRAWING IS A CONTROLLED DOCUMENT FOR TYCO ELECTRONICS CORPORATION. IT IS SUBJECT TO CHANGE AND THE CONTROLLING ENGINEERING ORGANIZATION SHOULD BE CONTACTED FOR THE LATEST REVISION.		DWN S. WELDON 30APR2003	Tyco Electronics Harrisburg, PA 17105-3608	
DIMENSIONS: mm		CHK C. RICHARD 30APR2003	BUCHANAN	
TOLERANCES UNLESS OTHERWISE SPECIFIED:		APVD C. RICHARD 30APR2003	NAME	
0 PLC ±	1 PLC ±.3	PRODUCT SPEC	TERMINAL BLOCK, PCB MOUNT, STRAIGHT, 8.5mm PROFILE, SIDE WIRE ENTRY, 3.5mm PITCH	
2 PLC ±.25	3 PLC ±0	APPLICATION SPEC	SIZE A2	CAGE CODE 00779
4 PLC ±0	ANGLES ±	WEIGHT	DRAWING NO C=1546551	RESTRICTED TO
MATERIAL		CUSTOMER DRAWING		SCALE 6:1
FINISH		SHEET 1 OF 1		REV AI