



Chipsmall Limited consists of a professional team with an average of over 10 year of expertise in the distribution of electronic components. Based in Hongkong, we have already established firm and mutual-benefit business relationships with customers from,Europe,America and south Asia,supplying obsolete and hard-to-find components to meet their specific needs.

With the principle of “Quality Parts,Customers Priority,Honest Operation,and Considerate Service”,our business mainly focus on the distribution of electronic components. Line cards we deal with include Microchip,ALPS,ROHM,Xilinx,Pulse,ON,Everlight and Freescale. Main products comprise IC,Modules,Potentiometer,IC Socket,Relay,Connector.Our parts cover such applications as commercial,industrial, and automotives areas.

We are looking forward to setting up business relationship with you and hope to provide you with the best service and solution. Let us make a better world for our industry!



## Contact us

Tel: +86-755-8981 8866 Fax: +86-755-8427 6832

Email & Skype: info@chipsmall.com Web: www.chipsmall.com

Address: A1208, Overseas Decoration Building, #122 Zhenhua RD., Futian, Shenzhen, China



THIS DRAWING IS UNPUBLISHED.

RELEASED FOR PUBLICATION

© COPYRIGHT - By -

ALL RIGHTS RESERVED.

LOC  
FT

DIST  
0

REVISIONS

P	LTR	DESCRIPTION	DATE	DWN	APVD
B1		REVISED PER ECO-11-004820	11MAR11	RK	HMR

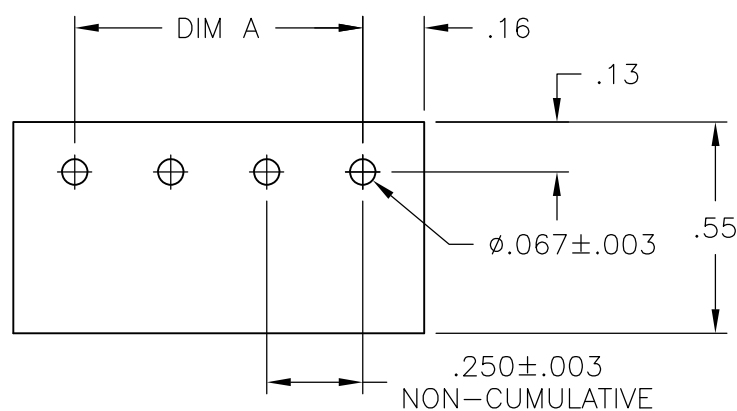
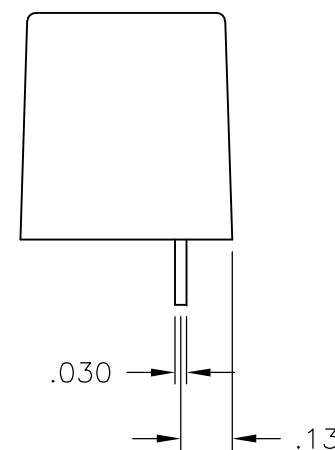
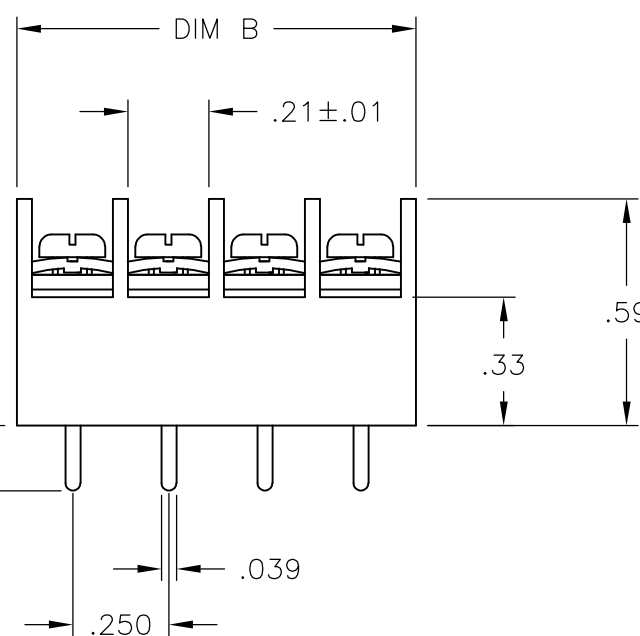
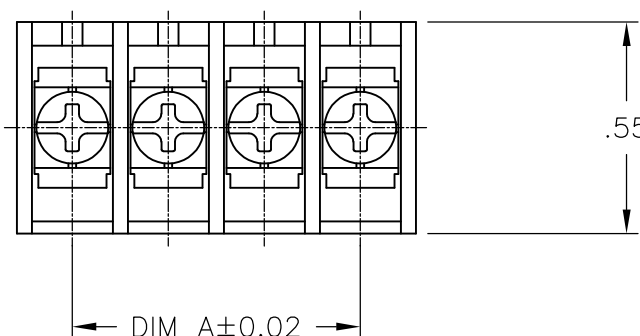
NOTES:

MATERIAL:  
 TERMINAL BLOCK: POLYAMIDE 66, UL94V-0, BLACK.  
 TERMINAL: BRASS, TIN PLATED.  
 SCREW: M3 STEEL, NICKEL PLATED W/ WIRE CLAMP.

ELECTRICAL:  
 CURRENT RATING: 10A, 300V  
 INSULATION WITHSTANDS: 2000V, MIN  
 INSULATION RESISTANCE: >2000MEGA OHM, 500V


MECHANICAL:  
 WIRE RANGE: 16-30AWG  
 RECOMMENDED TORQUE: 10 IN-LB  
 OPERATION TEMP: -40°C TO 105°C

UL RECOGNIZED PER US & CANADIAN STANDARDS.



RECOMMENDED PCB LAYOUT

DIM B	DIM A	PART NUMBER
7.54	7.250	3-1546657-0
7.29	7.000	2-1546657-9
7.04	6.750	2-1546657-8
6.79	6.500	2-1546657-7
6.54	6.250	2-1546657-6
6.29	6.000	2-1546657-5
6.04	5.750	2-1546657-4
5.79	5.500	2-1546657-3
5.54	5.250	2-1546657-2
5.29	5.000	2-1546657-1
5.04	4.750	2-1546657-0
4.79	4.500	1-1546657-9
4.54	4.250	1-1546657-8
4.29	4.000	1-1546657-7
4.04	3.750	1-1546657-6
3.79	3.500	1-1546657-5
3.54	3.250	1-1546657-4
3.29	3.000	1-1546657-3
3.04	2.750	1-1546657-2
2.79	2.500	1-1546657-1
2.54	2.250	1-1546657-0
2.29	2.000	1546657-9
2.04	1.750	1546657-8
1.79	1.500	1546657-7
1.54	1.250	1546657-6
1.29	1.000	1546657-5
1.04	.750	1546657-4
.79	.500	1546657-3
.54	.250	1546657-2

THIS DRAWING IS A CONTROLLED DOCUMENT.		DWN S SCHLEGEL 30MAY03	 TE Connectivity		
DIMENSIONS: INCHES		CHK S YODER 5/30/03			
TOLERANCES UNLESS OTHERWISE SPECIFIED:		APVD S YODER 5/30/03	NAME TERMINAL BLOCK, .250 PITCH, DUAL BARRIER PCV STYLE		
0 PLC ± -		PRODUCT SPEC	SIZE		
1 PLC ± -		APPLICATION SPEC	CAGE CODE		
2 PLC ± .02			DRAWING NO		
3 PLC ± .005			RESTRICTED TO		
4 PLC ± -			A3 00779 C-1546657		
ANGLES ± -		WEIGHT	SCALE		
FINISH			SHEET		
MATERIAL			1 OF 1		
			REV		
			B1		
			CUSTOMER DRAWING		