



Chipsmall Limited consists of a professional team with an average of over 10 year of expertise in the distribution of electronic components. Based in Hongkong, we have already established firm and mutual-benefit business relationships with customers from,Europe,America and south Asia,supplying obsolete and hard-to-find components to meet their specific needs.

With the principle of “Quality Parts,Customers Priority,Honest Operation,and Considerate Service”,our business mainly focus on the distribution of electronic components. Line cards we deal with include Microchip,ALPS,ROHM,Xilinx,Pulse,ON,Everlight and Freescale. Main products comprise IC,Modules,Potentiometer,IC Socket,Relay,Connector.Our parts cover such applications as commercial,industrial, and automotives areas.

We are looking forward to setting up business relationship with you and hope to provide you with the best service and solution. Let us make a better world for our industry!



Contact us

Tel: +86-755-8981 8866 Fax: +86-755-8427 6832

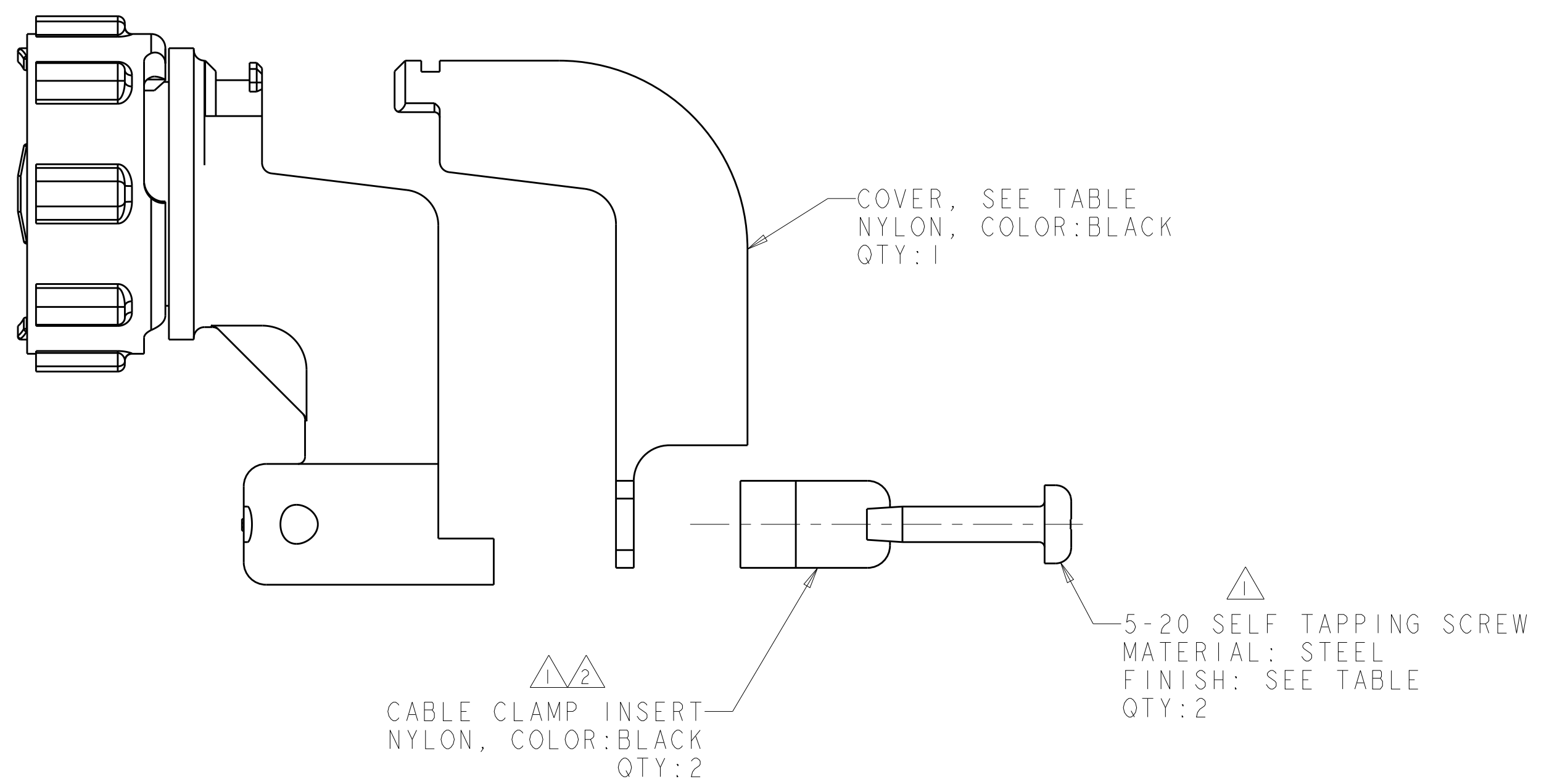
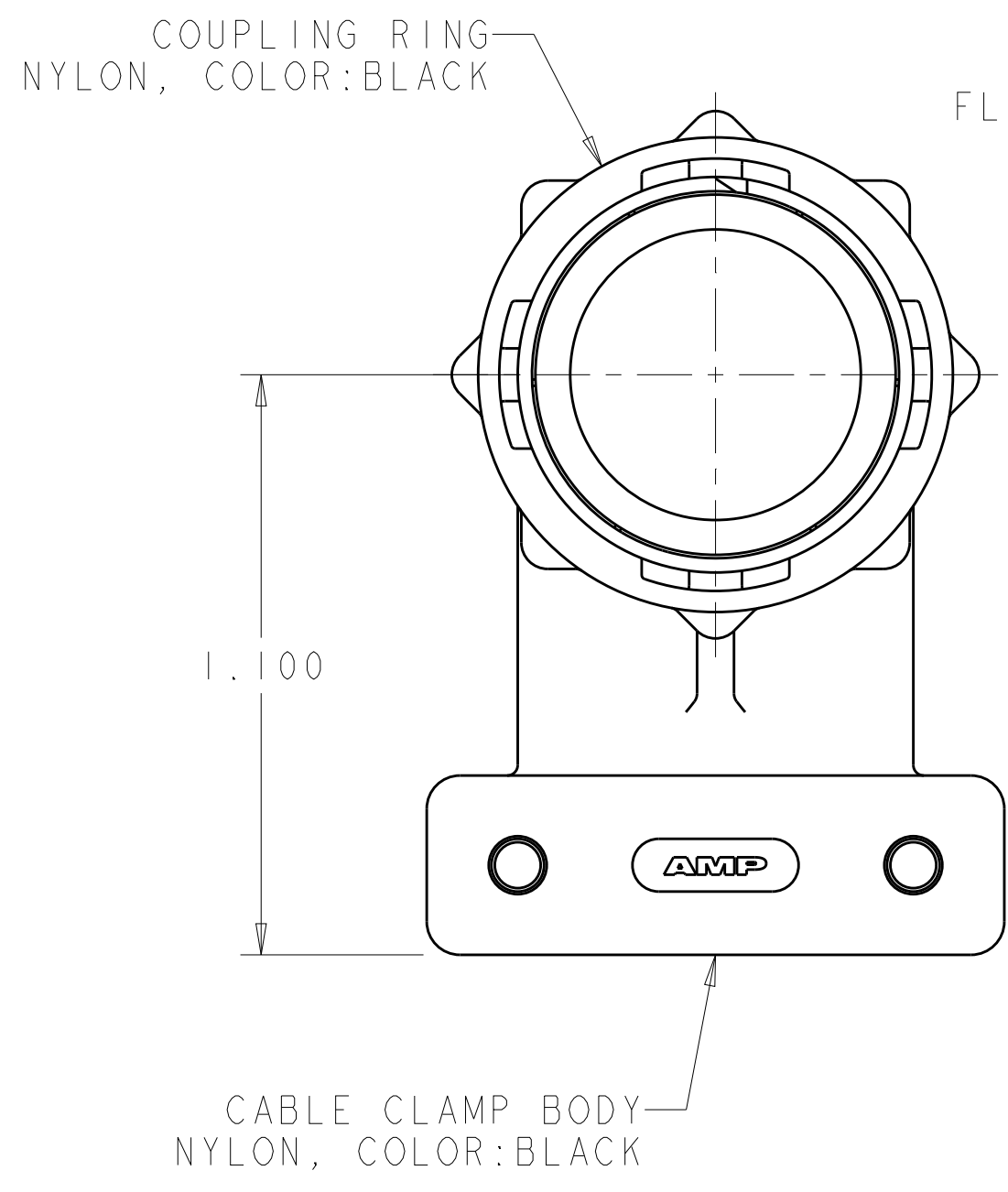
Email & Skype: info@chipsmall.com Web: www.chipsmall.com

Address: A1208, Overseas Decoration Building, #122 Zhenhua RD., Futian, Shenzhen, China

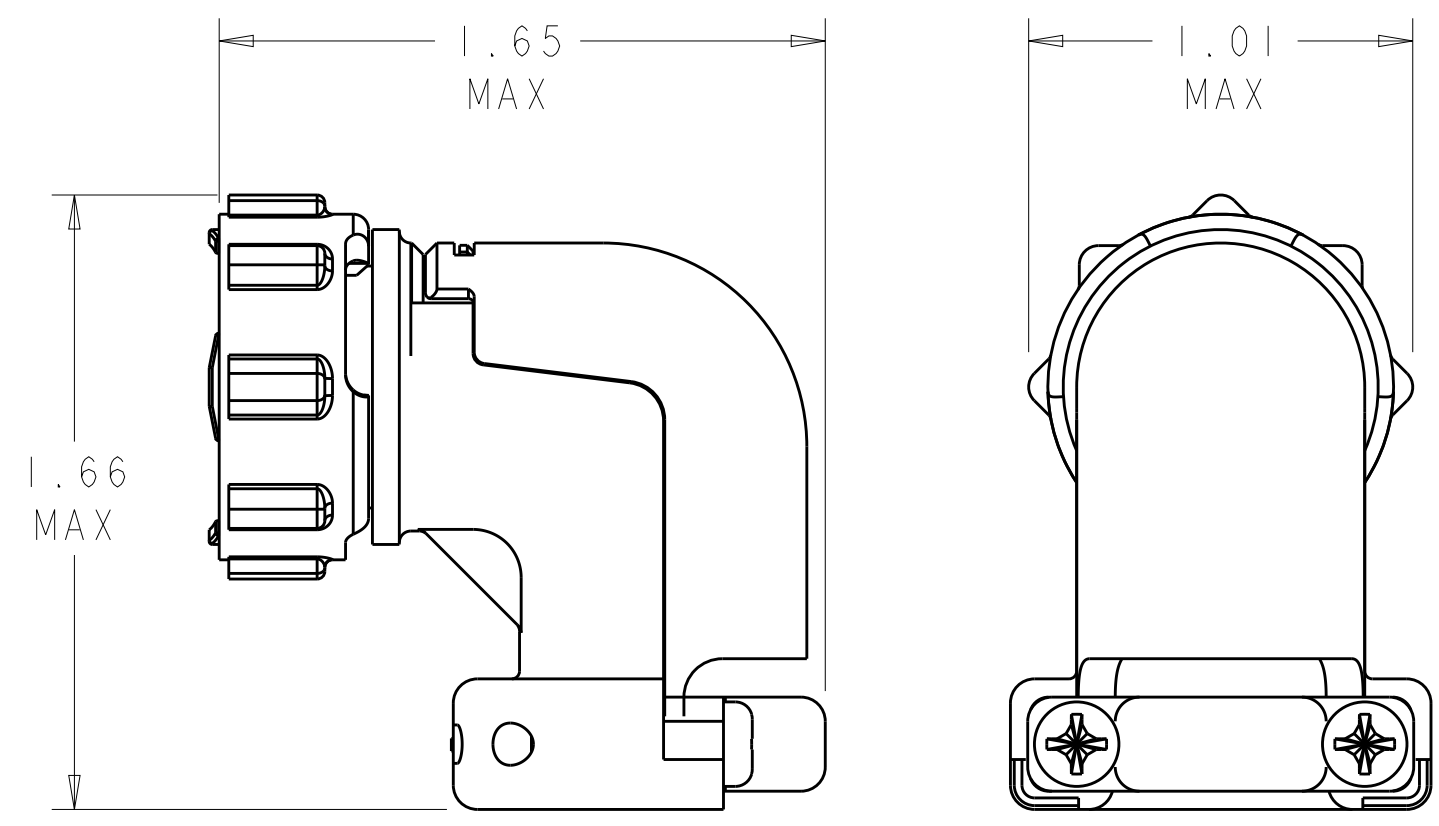


THIS DRAWING IS UNPUBLISHED. RELEASED FOR PUBLICATION
 © COPYRIGHT 20 BY - ALL RIGHTS RESERVED.

REVISIONS				
P	LTR	DESCRIPTION	DATE	APVD
	CI	REVISED PER ECO-16-004800	08SEP2016	NK MZ



- ① SELF TAPPING SCREWS AND CABLE CLAMP INSERTS PACKAGED UNASSEMBLED.
- ② CLAMPING AREA ADJUSTABLE TO .453 O.D. MAX CABLE. CABLE CLAMP INSERTS CAN BE ADJUSTED BY INVERTING OR CHANGING CABLE CLAMP INSERT.



ASSEMBLED VIEW
SCALE 2:1

	ZINC PLATED NON-HEXAVALENT CHROMATE	YES	1546746-4
	ZINC PLATED NON-HEXAVALENT CHROMATE	NO	1546746-3
	ZINC PLATED NON-HEXAVALENT CHROMATE	YES	1546746-2
OBSOLETE	ZINC PLATED NON-HEXAVALENT CHROMATE	NO	1546746-1
	SCREW FINISH	COVER	PART NUMBER

THIS DRAWING IS A CONTROLLED DOCUMENT.		DWN S. WELDON 06 JUN 2003	 TE Connectivity
DIMENSIONS: INCHES		CHK H. WAKEEM 06 JUN 2003	
TOLERANCES UNLESS OTHERWISE SPECIFIED:		APVD H. WAKEEM 06 JUN 2003	
0 PLC ± 1 PLC ± 2 PLC ± 3 PLC ±0.005 4 PLC ± ANGLES ± FINISH -		NAME CABLE CLAMP KIT, UNASSEMBLED, R/A, W/COVER, SIZE 11, MINI CPC PRODUCT SPEC - APPLICATION SPEC - WEIGHT -	
MATERIAL -		CUSTOMER DRAWING	SIZE A200779 CAGE CODE C-1546746 DRAWING NO 1546746 RESTRICTED TO - SCALE 3:1 SHEET 1 OF 1 REV CI