



Chipsmall Limited consists of a professional team with an average of over 10 year of expertise in the distribution of electronic components. Based in Hongkong, we have already established firm and mutual-benefit business relationships with customers from,Europe,America and south Asia,supplying obsolete and hard-to-find components to meet their specific needs.

With the principle of “Quality Parts,Customers Priority,Honest Operation,and Considerate Service”,our business mainly focus on the distribution of electronic components. Line cards we deal with include Microchip,ALPS,ROHM,Xilinx,Pulse,ON,Everlight and Freescale. Main products comprise IC,Modules,Potentiometer,IC Socket,Relay,Connector.Our parts cover such applications as commercial,industrial, and automotives areas.

We are looking forward to setting up business relationship with you and hope to provide you with the best service and solution. Let us make a better world for our industry!



Contact us

Tel: +86-755-8981 8866 Fax: +86-755-8427 6832

Email & Skype: info@chipsmall.com Web: www.chipsmall.com

Address: A1208, Overseas Decoration Building, #122 Zhenhua RD., Futian, Shenzhen, China



CF FUSE RATED 58V

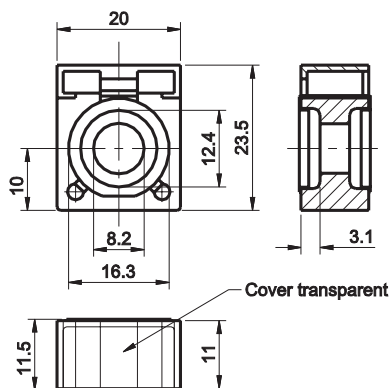


Description

Main Fuse for mounting with battery clamp on the battery pole. Voltage rating 58 VDC, Current rating 50A - 300A. With transparent cover for visual inspection of melting element.

Dimensions

Dimensions in mm



Ratings

Part Number	Current Rating	Typ. Voltage Drop	Cold Resistance	I ² t
155.0892.5501	50 A	100 mV	1.20 mΩ	1,900 A ² s
155.0892.5751	75 A	90 mV	0.60 mΩ	12,000 A ² s
155.0892.6101	100 A	80 mV	0.60 mΩ	14,000 A ² s
155.0892.6121	125 A	75 mV	0.45 mΩ	51,000 A ² s
155.0892.6151	150 A	70 mV	0.35 mΩ	63,800 A ² s
155.0892.6171	175 A	70 mV	0.25 mΩ	120,000 A ² s
155.0892.6201	200 A	65 mV	0.25 mΩ	172,800 A ² s
155.0892.6251	250 A	70 mV	0.20 mΩ	330,000 A ² s
155.0892.6301	300 A	70 mV	0.15 mΩ	372,000 A ² s

Insert CF8-Fuse links only in conjunction with the insulating nuts, see Section "Fuse Holders." Corresponding battery clamp see Section "Fuse Holders."

Specifications

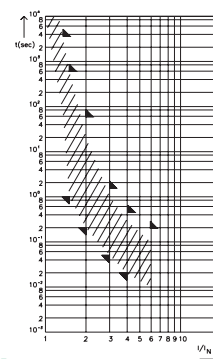
Insulating Body: Out of ceramic
 Cover: Out of thermoplast (UL 94-V0, heat resistant)
 Visible melting-element
 Interrupting Rating: 2,000A @58 VDC
 Complies with: ISO 8820-6
 DIN 72581-5
 UL 248 Special Purpose Fuses
 cULus Recognized: File No. E211637

Ordering Information

Part Number	Package Size
155.0892.xxx1	100

Pre-Arcing Time-Limits

FI = 1.25 (max. operating current:
0.8 x I_{rat} at 23°C)



Time-Current Characteristics

% of Rating	Opening Time Min / Max (s)
100	360,000 s / -
135	- / 3,600 s
150	1 s / 600 s
200	0.200 s / 60 s
300	0.050 s / 1.5 s
400	0.020 s / 0.50 s
600	- / 0.20 s