



Chipsmall Limited consists of a professional team with an average of over 10 year of expertise in the distribution of electronic components. Based in Hongkong, we have already established firm and mutual-benefit business relationships with customers from,Europe,America and south Asia,supplying obsolete and hard-to-find components to meet their specific needs.

With the principle of “Quality Parts,Customers Priority,Honest Operation,and Considerate Service”,our business mainly focus on the distribution of electronic components. Line cards we deal with include Microchip,ALPS,ROHM,Xilinx,Pulse,ON,Everlight and Freescale. Main products comprise IC,Modules,Potentiometer,IC Socket,Relay,Connector.Our parts cover such applications as commercial,industrial, and automotives areas.

We are looking forward to setting up business relationship with you and hope to provide you with the best service and solution. Let us make a better world for our industry!



Contact us

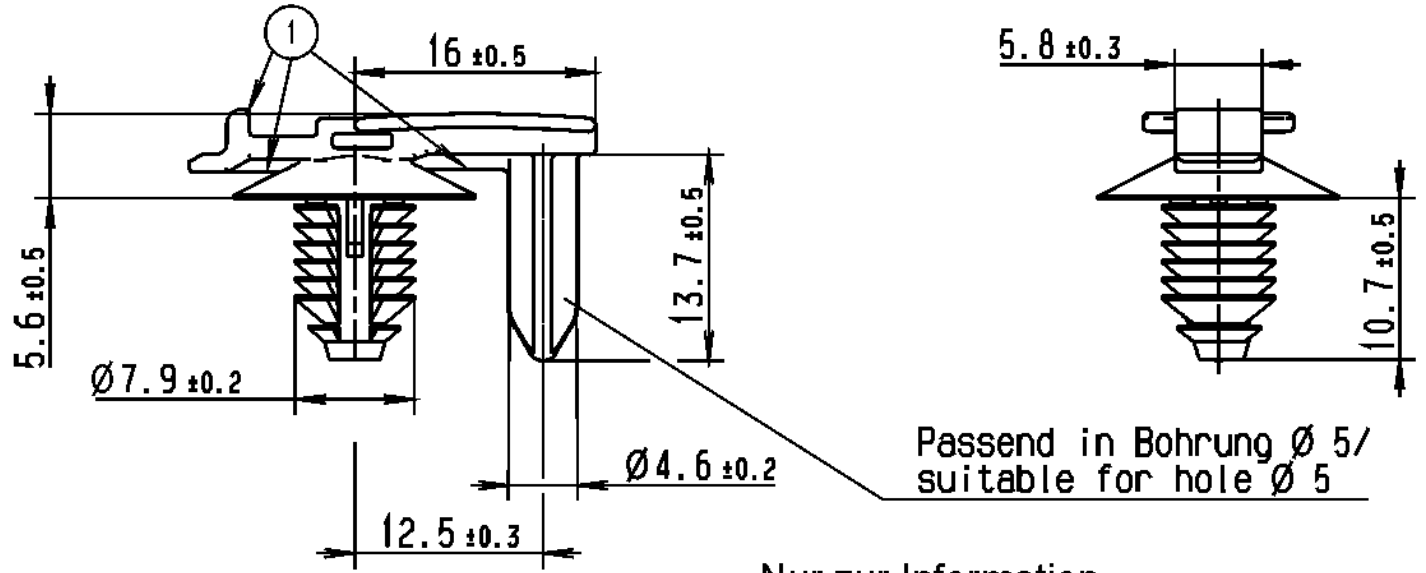
Tel: +86-755-8981 8866 Fax: +86-755-8427 6832

Email & Skype: info@chipsmall.com Web: www.chipsmall.com

Address: A1208, Overseas Decoration Building, #122 Zhenhua RD., Futian, Shenzhen, China



Änderungsstand / Revision level		Beschreibung der Änderung/ Revision Record	Geändert Changed	Datum Date	Geprüft Approved	Datum Date
Soll / part	Zeichnung / drawing					
1	1	Rippe zugef., Haken scharfkantig ausgef.	Zimmermann	05.08.05	Schiwek	05.08.05

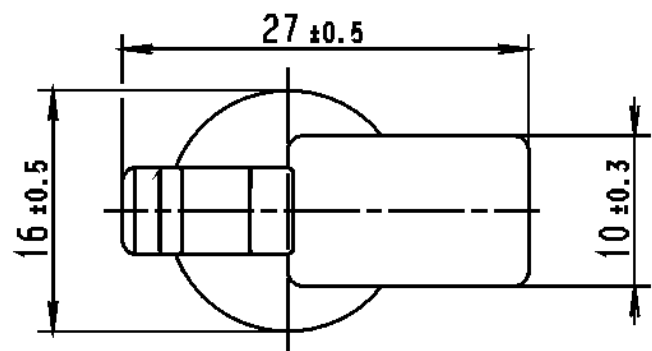


Loch Ø / Hole size
6,4 - 7,1 mm

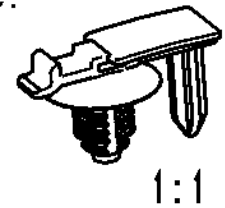
Blechedicke / Panel thickness
0,7 - 5,1 mm

Werkstoff / Material
PA 6.6 hitzestabilisiert/
PA 6.6 heatstabilized
schlagzäh/impact resistant
schwarz/black

Toleranzen / Tolerances
Masse ohne Toleranzangaben nach
Dimension without tolerances
details to
DIN 16901 /
**AUSFUERHRUNG / PERFORMANCE
SPEZIFIKATION / SPEC.**



Nur zur Information,
wird vom Änderungsdienst
nicht erfaßt.
For information only,
not subject to alteration service.



CATIA
4.2.4



Gez. / Drawn 27.08.03 Mueller
Gepr. / Appr. 27.08.03 Spiesz

Masstab / Scale 2:1;1:1 NT 307/02

HellermannTyton
HellermannTyton GmbH

Benennung / Title
FT6LG Connector Turnstop

Grosser Moorweg 45, 25436 Tornesch
Telefon: 04122 / 701-1
Telefax: 04122 / 701-400

Zeichnungs-Nr./Drawing-No
14.1695
Format D. Size A4
Blatt Sheet

Weitergabe sowie Vervielfältigung dieser
Unterlage, Verbreitung und Mitteilung ihres
Inhalts nicht gestattet, soweit nicht aus-
drücklich zugestanden. Zuiderhandlungen
verpflichten zu Schadenersatz. Alle Rechte
für den Fall der Patenterteilung oder
Gebrauchsmuster-Eintragung vorbehalten.
The copyright of this drawing is reserved
by HELLERMANN TYTON GMBH. It is issued
on condition that it is not reproduced,
copied or disclosed to a third party, either
wholly or in part, without the consent of
HELLERMANN TYTON GMBH.

Product Number
Cross Reference Record

Uncontrolled Document

Type Number	UNS Universal Number System	Customer Drawing Title
ft6lg connector turnstop	155-30702	

Issued By:	Reference Drawing Number:	Issue Date:
HellermannTyton	xcl-hman052cst(14.1695)	JUNE 14,2013