



Chipsmall Limited consists of a professional team with an average of over 10 year of expertise in the distribution of electronic components. Based in Hongkong, we have already established firm and mutual-benefit business relationships with customers from,Europe,America and south Asia,supplying obsolete and hard-to-find components to meet their specific needs.

With the principle of “Quality Parts,Customers Priority,Honest Operation,and Considerate Service”,our business mainly focus on the distribution of electronic components. Line cards we deal with include Microchip,ALPS,ROHM,Xilinx,Pulse,ON,Everlight and Freescale. Main products comprise IC,Modules,Potentiometer,IC Socket,Relay,Connector.Our parts cover such applications as commercial,industrial, and automotives areas.

We are looking forward to setting up business relationship with you and hope to provide you with the best service and solution. Let us make a better world for our industry!



## Contact us

Tel: +86-755-8981 8866 Fax: +86-755-8427 6832

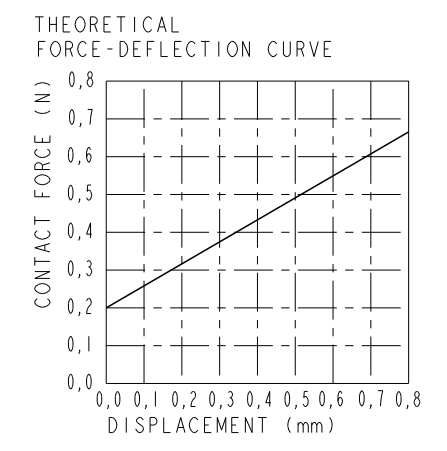
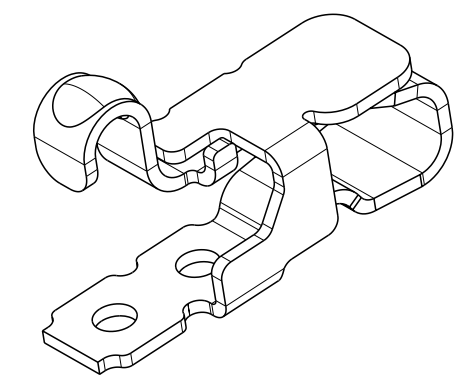
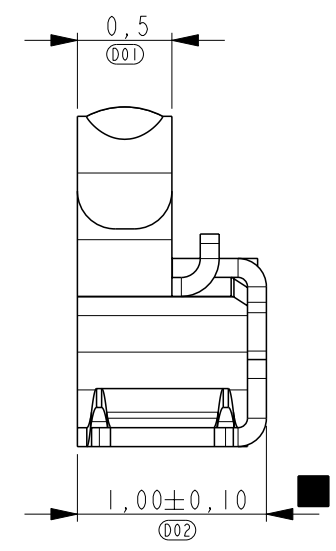
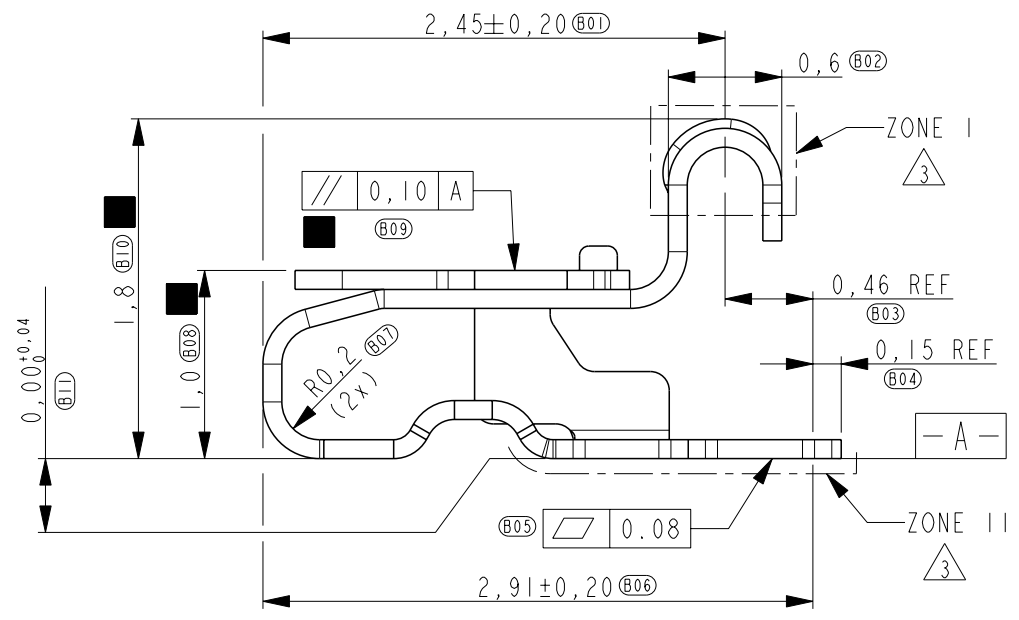
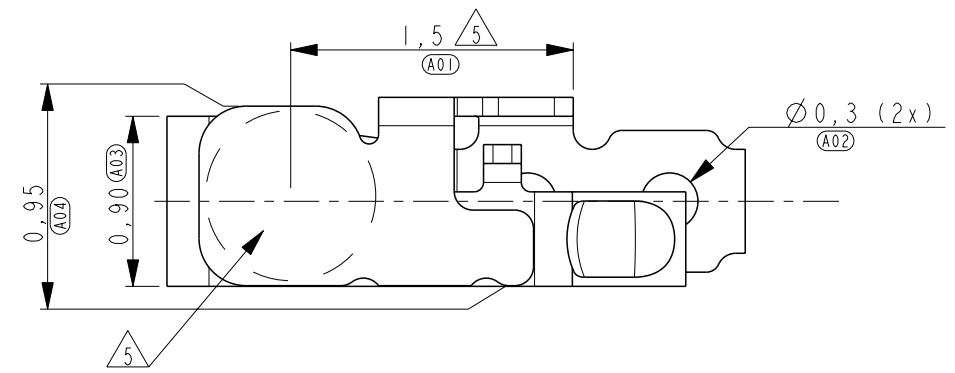
Email & Skype: info@chipsmall.com Web: www.chipsmall.com

Address: A1208, Overseas Decoration Building, #122 Zhenhua RD., Futian, Shenzhen, China



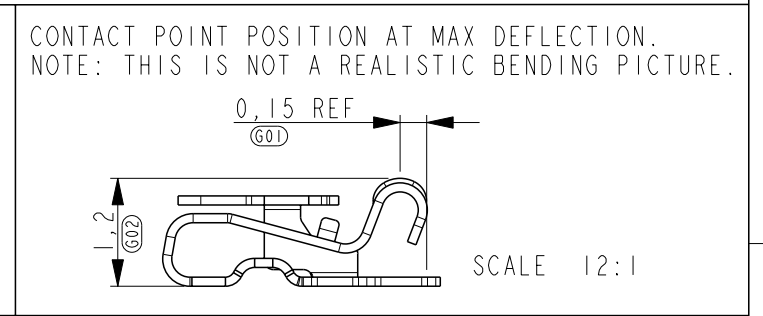
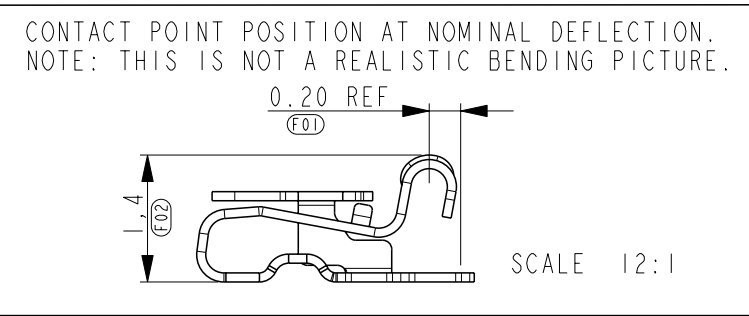
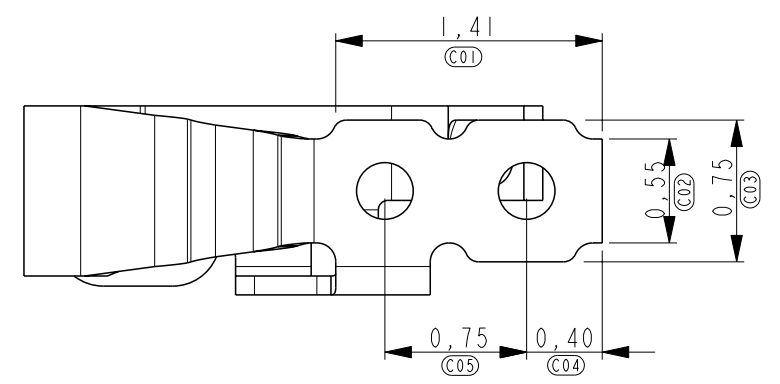
THIS DRAWING IS UNPUBLISHED. RELEASED FOR PUBLICATION  
 © COPYRIGHT - BY TYCO ELECTRONICS CORPORATION. ALL RIGHTS RESERVED.

LOC	DIST	REVISIONS			
P	LTR	DESCRIPTION	DATE	DWN	APVD
H	-	B	ECR-11-004258	25FEB2011	JvH DH

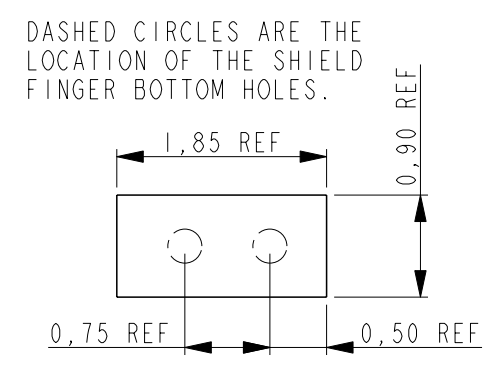


NOTES:

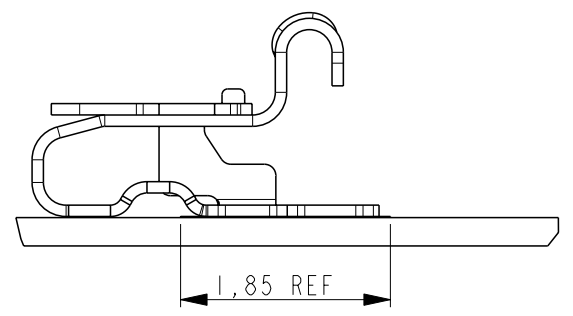
- 1 PART NUMBER: 1551281-4 AS SHOWN.
- 2 MATERIAL: TiCu.
- 3 PLATING: 1,3µm MIN. NICKEL UNDERLAYER ALL OVER  
 ZONE I: 0,50µm MIN. GOLD  
 ZONE II: GOLD FLASH
- 4 FORCE AT MIN DEFLECTION (AT 1,6mm) 0,20N MIN.  
 FORCE AT MAX DEFLECTION (AT 1,2mm) 0,80N MAX.
- 5 INDICATED SURFACE TO BE USED AS PICK AND PLACE SURFACE.  
 THE DASHED LINE INDICATES A Ø0,90mm VACUUM PICKER.
- 6 ■=CRITICAL DIMENSION WHICH EFFECTS FORM FIT & FUNCTION



RECOMMENDED PWB LAY-OUT.



REFERENCE VIEW FOR COMPONENT PLACEMENT



THIS DRAWING IS A CONTROLLED DOCUMENT FOR TYCO ELECTRONICS CORPORATION  
 IT IS SUBJECT TO CHANGE AND THE CONTROLLING ENGINEERING ORGANIZATION  
 SHOULD BE CONTACTED FOR THE LATEST REVISION.

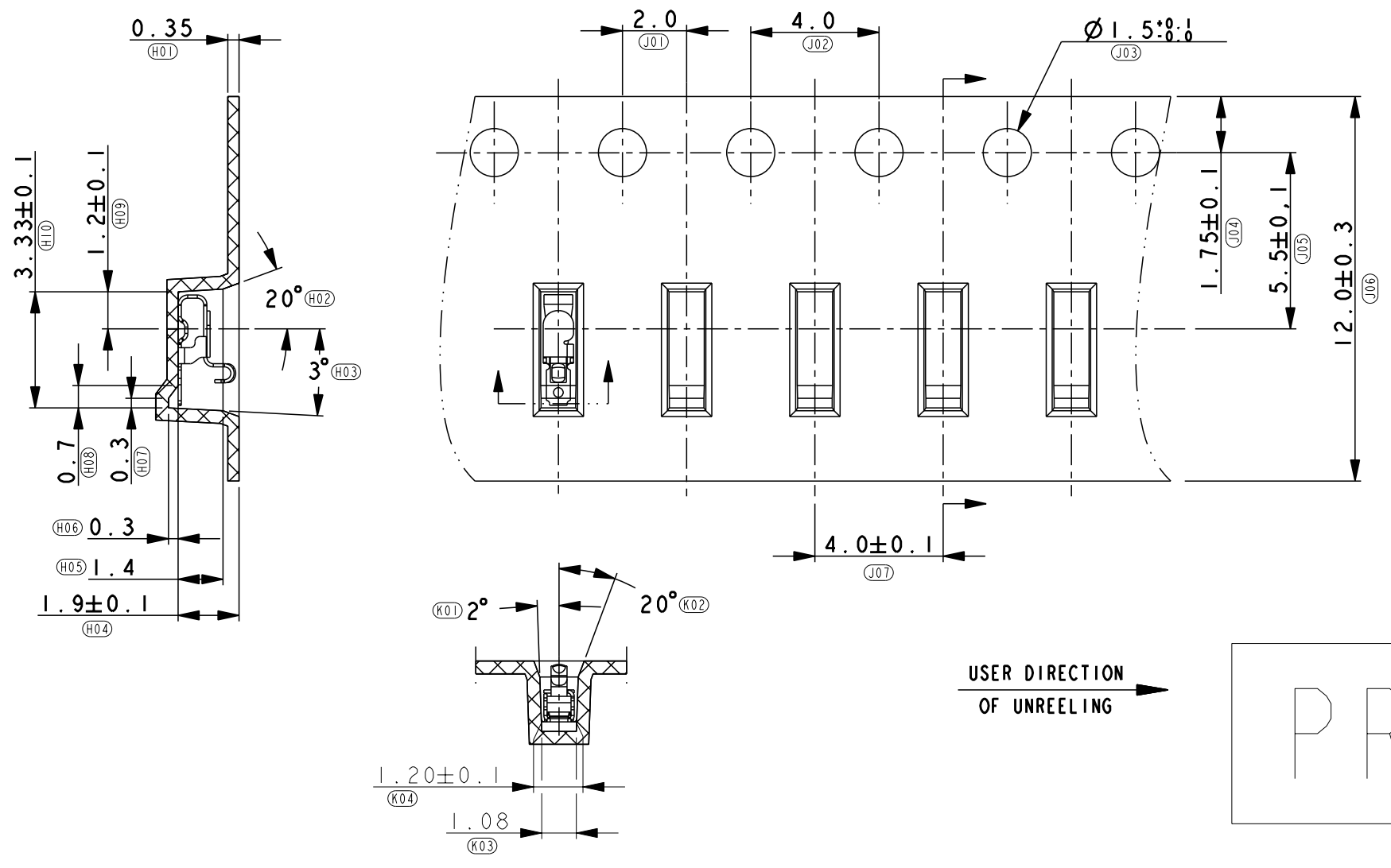
DIMENSIONS:	TOLERANCES UNLESS OTHERWISE SPECIFIED:
mm	
	0 PLC ±0,20
	1 PLC ±0,10
	2 PLC ±0,10
	3 PLC ±0,05
	4 PLC ±
	ANGLES ±
	FINISH ±
MATERIAL	

DWN	15-JUL-09
W. Jansen	
CHK	15-JUL-09
W. Jansen	
APVD	15-JUL-09
D. Halberstadt	
PRODUCT SPEC	
APPLICATION SPEC	
WEIGHT	0,0055g

Tyco Electronics Nederland BV 's-Hertogenbosch, The Netherlands	
NAME	
SPRING FINGER 1,8 mm LEFT	
SIZE	RESTRICTED TO
A3	-
CAGE CODE	
00779	
DRAWING NO	
C=1551281	
CUSTOMER DRAWING	
SCALE	SHEET
20:1	1 OF 2
REV	
B	

THIS DRAWING IS UNPUBLISHED. RELEASED FOR PUBLICATION  
 © COPYRIGHT - BY TYCO ELECTRONICS CORPORATION. ALL RIGHTS RESERVED.

LOC	DIST	REVISIONS			
P	LTR	DESCRIPTION	DATE	DWN	APVD
H	-	SEE SHEET 1	-	-	-



THIS DRAWING IS A CONTROLLED DOCUMENT FOR TYCO ELECTRONICS CORPORATION  
 IT IS SUBJECT TO CHANGE AND THE CONTROLLING ENGINEERING ORGANIZATION  
 SHOULD BE CONTACTED FOR THE LATEST REVISION.

DIMENSIONS:	TOLERANCES UNLESS OTHERWISE SPECIFIED:
mm	0 PLC ±0,20
	1 PLC ±0,10
	2 PLC ±0,10
	3 PLC ±0,05
	4 PLC ±-
	ANGLES ±-
MATERIAL -	FINISH -

DWN	15-JUL-09	Tyco Electronics Nederland BV 's-Hertogenbosch, The Netherlands	
CHK	15-JUL-09		
APVD	15-JUL-09		
PRODUCT SPEC	D. Halberstadt		
APPLICATION SPEC	-	NAME	SPRING FINGER 1,8 mm LEFT
WEIGHT	0,0055g	SIZE	A3
CUSTOMER DRAWING	SCALE 20:1	CAGE CODE	00779
	SHEET 2 OF 2	DRAWING NO	C=1551281
	REV B	RESTRICTED TO	-